



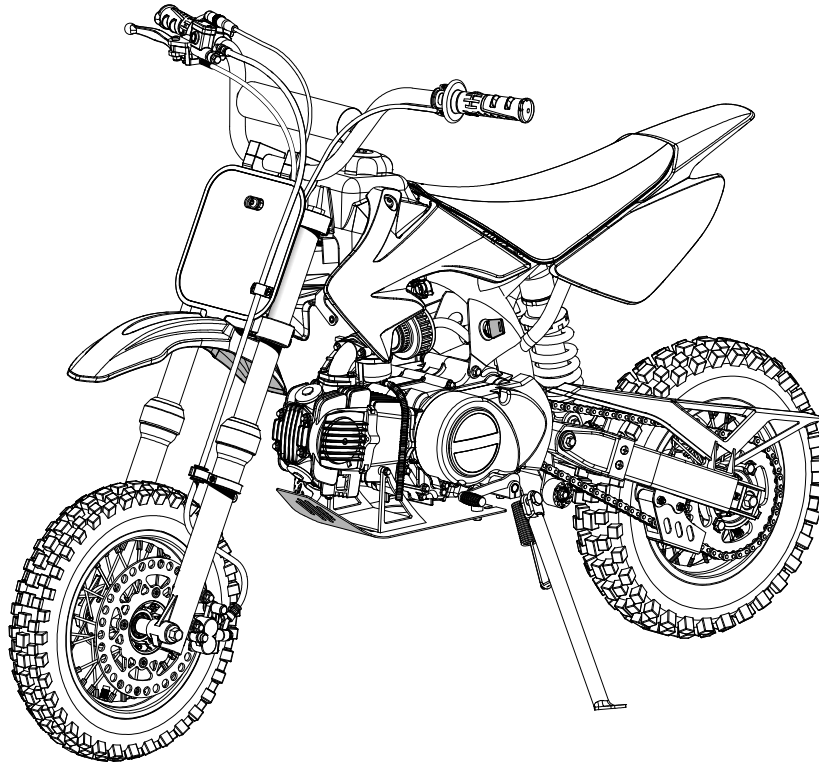
OPERATOR'S MANUAL

MANUAL DEL OPERADOR

DIRT BIKE

MOTOCROSS

DR90



This dirt bike has a minimum age requirement of 16 and a maximum weight capacity of 165 lbs. (75 kg). Always wear all necessary and properly fitting protective equipment when operating this dirt bike.

⚠ WARNING: To reduce the risk of injury, the user must read and understand the operator's manual before using this product.

Obtain, review, and follow provincial/municipal government acts and regulations pertaining to owning and operating an off-road vehicle before using this product.

SAVE THIS MANUAL FOR FUTURE REFERENCE

El requisito para usar este motocross es que el usuario tenga, como mínimo, 16 años. La capacidad de peso máxima de este motocross es de 75 kg (165 lb). Use siempre todo el equipo de protección que sea necesario y que calce correctamente al operar este motocross.

⚠ ADVERTENCIA: Para reducir el riesgo de lesiones, el usuario debe leer y comprender el manual del operador antes de usar este producto.

Obtenga, revise y obedezca todas las leyes y reglamentaciones gubernamentales provinciales y municipales relacionadas con la tenencia y la operación de un vehículo todoterreno antes de usar este producto.

GUARDE ESTE MANUAL PARA FUTURAS CONSULTAS

TABLE OF CONTENTS

■ Limited Warranty.....	2
■ Rules for Safe Operation	3
■ Symbols.....	4
■ Safety Labels.....	5-6
■ Features	7-8
■ Operation.....	9-12
■ Maintenance.....	13-20
■ Troubleshooting.....	21
■ Emissions Warranty.....	22
■ Product Specifications.....	23

LIMITED WARRANTY

KEEP YOUR RECEIPT. Proof of purchase will be required to substantiate any warranty claim.

WHAT IS COVERED: Baja, Inc. warrants to the original retail purchaser in the United States of America, or Canada that this product is free of defects in material and workmanship and agrees, at Baja, Inc's discretion, to either repair, provide replacement parts for, or replace (without charge for parts or labor) any product or component with a material defect for a period of 6 months from the date of purchase, except as limited below. Warranty service and replacement parts are warranted only for the duration of the warranty on the original product. All replaced parts and products become the property of Baja, Inc. This product is also covered by an Emissions Control System Warranty which is separate from and in addition to this warranty.

WHAT IS NOT COVERED: This warranty does not cover any conditions caused by misuse, neglect, negligence, accident operation in any way contrary to the operating instructions in the operator's manual, normal wear, alteration, modification, improper or inadequate maintenance, use of unauthorized replacement parts, or service provided by anyone other than an Authorized Baja Motorsports® Service Center. This warranty does not cover transportation costs for warranty service. Without limiting the above, this warranty is VOID with respect to any product that has been used for rental or commercial purposes or that sustained the following damage:

- Bent or broken frame due to abuse
- Bent or broken wheel or wheels due to abuse
- Bent or broken fender due to abuse
- Any sign of impact, accident, jumping, spin-outs or roll over not caused by the condition for which the warranty coverage is sought.

TO GET SERVICE: Contact Baja, Inc. toll free at 888-863-2252 Monday through Friday between the hours of 7AM and 4 PM, Mountain Time (MST). A copy of the sales receipt will be required as proof of purchase. Any approved warranty service will be referred to an Authorized Baja Motorsports® Service Center. The cost of transporting the product to and from the service center must be paid by the owner.

BAJA, INC'S OBLIGATION UNDER THIS WARRANTY IS STRICTLY AND EXCLUSIVELY LIMITED TO THE REPAIR OR REPLACEMENT OF DEFECTIVE PARTS AND BAJA, INC. DOES NOT ASSUME OR AUTHORIZE ANYONE TO ASSUME FOR THEM ANY OTHER OBLIGATION. NO DEALER IS AUTHORIZED TO MODIFY THIS WARRANTY.

ALL IMPLIED WARRANTIES ARE LIMITED IN DURATION TO THE STATED WARRANTY PERIOD, AND ARE HEREBY EXPRESSLY DISCLAIMED IN THEIR ENTIRETY AFTER THE EXPIRATION OF THE STATED 6 MONTHS WARRANTY PERIOD. SOME STATES DO NOT ALLOW LIMITATIONS ON HOW LONG AN IMPLIED WARRANTY LASTS, SO THE ABOVE LIMITATION MAY NOT APPLY TO YOU. BAJA, INC. ASSUMES NO RESPONSIBILITY FOR INCIDENTAL, CONSEQUENTIAL OR OTHER DAMAGES. SOME STATES DO NOT ALLOW THE EXCLUSION OR LIMITATION OF INCIDENTAL OR CONSEQUENTIAL DAMAGES, SO THE ABOVE LIMITATION OR EXCLUSION MAY NOT APPLY TO YOU.

This warranty gives you specific legal rights, and you may also have other rights which vary from state to state.

WARNING:

This manual should be considered as a permanent part of the vehicle and should remain with the vehicle when resold or otherwise transferred to a new user or operator. The manual contains important safety information and instructions which should be read carefully before operating the vehicle. All operators should obtain, review, and follow provincial and municipal government acts and regulations pertaining to owning and operating an off-road vehicle. Children under the age of 16 should never operate this vehicle.

RULES FOR SAFE OPERATION

WARNING:

This operator's manual contains important safety and maintenance information. Read it carefully and make sure you understand all included information before riding. Failing to follow the warnings contained in this manual could result in **SERIOUS INJURY** or **DEATH**.

NOTICE TO PARENTS

This dirt bike is built for use by persons age 16 and older. Never allow anyone under the age of 16 to operate the dirt bike.

Children differ in skills, physical abilities, and judgement. Some children may not be able to operate a dirt bike safely. Parents should supervise their child's use of the dirt bike at all times. Parents should permit continued use only if they determine that the child has the ability to operate the dirt bike safely.

It is very important that every person who rides the dirt bike complete a training course.

READ ALL INSTRUCTIONS

It is important that this manual remain with the vehicle when you transfer or loan it to another user or owner.

All information, illustrations, photographs and specifications contained in this manual are based on the latest product information available at the time of publication. Due to improvements or other changes, there may be some discrepancies in this manual. We reserve the right to make product changes at any time, without notice and without incurring any obligation to make the same or similar changes to the vehicle previously built or sold.




- Carefully read and understand this manual and all labels and follow the operating procedures described.
- Never operate a dirt bike without proper instruction. Take a training course. Beginners should receive training from a certified instructor. Contact an authorized dirt bike dealer or call Motorcycle Safety Foundation at 1-800-446-9227 to find out about the training courses nearest you.
- Never carry a passenger or cargo on a dirt bike.
- Do not operate the engine in a confined space where dangerous carbon monoxide fumes can collect. Carbon monoxide, a colorless, odorless, and extremely dangerous gas, can cause unconsciousness or death.
- Never consume drugs or alcohol before or while operating this dirt bike.
- Never operate a dirt bike on any paved surfaces, including sidewalks, driveways, parking lots, and streets.
- Never operate a dirt bike on any public street, road, or highway, even a dirt or gravel one.

- Never operate the dirt bike at night. Night is defined as the period of time 30 minutes before sunset to 30 minutes after sunrise.
- Never operate a dirt bike without wearing a DOT or Snell-approved motorcycle helmet that fits properly. You should also wear eye protection with side shields (goggles) marked to comply with ANSI Z87.1, gloves, over the ankle boots, long-sleeved shirt or jacket, and long pants.
- Never operate this dirt bike at excessive speeds. Always ride at a speed that is proper for the terrain, visibility, operating conditions, and your experience.
- Always keep both hands on the handlebars and both feet on the foot rests of the dirt bike during operation.
- Always be careful when skidding or sliding. Learn to safely control skidding or sliding by practicing at low speeds and on level, smooth terrain. On extremely slippery surfaces such as ice, go slowly and be very cautious in order to reduce the chance of skidding or sliding out of control.
- Never operate the dirt bike on hills too steep for the dirt bike or for your abilities. Practice on smaller hills before attempting larger hills.
- Check the terrain carefully before you start up any hill. Never climb hills with excessively slippery or loose surfaces. Shift your weight forward. Never open the throttle suddenly. Never go over the top of any hill at high speed.
- Never attempt wheelies, jumps, or other stunts.
- Never operate a dirt bike in water.
- Always inspect your dirt bike each time you use it to make sure it is in safe operating condition. Always follow the inspection and maintenance procedures and schedules described in this manual.
- Never modify a dirt bike through improper installation or use of accessories.
- Always use the size and type tires specified in this manual. Always maintain proper tire pressure as described in this manual.
- Check the terrain carefully before you start down any hill. Shift your weight backward. Never go down a hill at high speed.
- Never exceed the stated load capacity of 165 lbs. (75 kg).
- Never ride alone. This dirt bike can go 45 miles (72 km) in an hour, which may be farther than you can walk back in the event of a problem with the dirt bike.
- We believe in conservation and protection of the earth's natural resources. We encourage every vehicle owner and operator to do the same by obeying posted signs and riding only in areas designated and approved for off-road recreational use.










**FOR MORE INFORMATION ABOUT DIRT BIKE SAFETY,
CALL BAJA MOTORSPORTS AT 1-866-260-8630.**

SYMBOLS

The following signal words and meanings are intended to explain the levels of risk associated with this product.

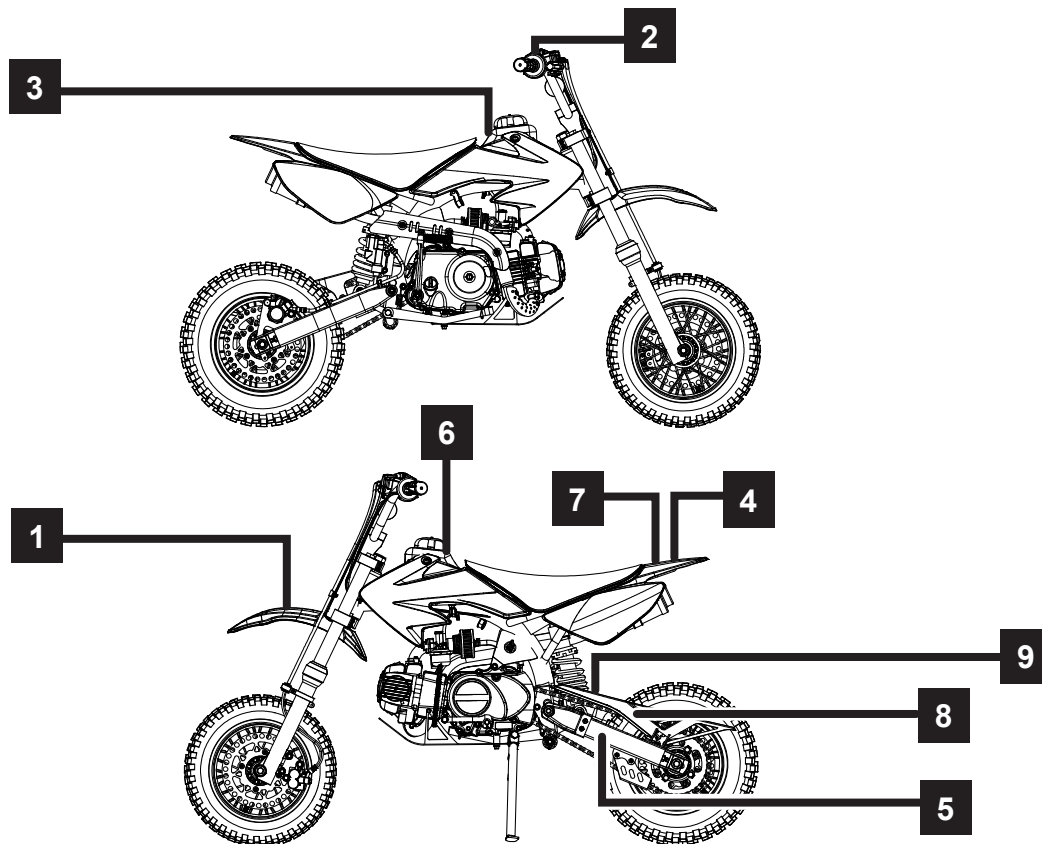
SYMBOL	SIGNAL	MEANING
	DANGER:	Indicates an imminently hazardous situation, which, if not avoided, will result in death or serious injury.
	WARNING:	Indicates a potentially hazardous situation, which, if not avoided, could result in death or serious injury.
	CAUTION:	Indicates a potentially hazardous situation, which, if not avoided, may result in minor or moderate injury.
	CAUTION:	(Without Safety Alert Symbol) Indicates a situation that may result in property damage.

Some of the following symbols may be used on this product. Please study them and learn their meaning for safe operation of this product.

SYMBOL	NAME	EXPLANATION
	Safety Alert	Indicates a potential personal injury hazard.
	Read Operator's Manual	To reduce the risk of injury, user must read and understand operator's manual before using this product.
	Eye Protection	Always wear eye protection with side shields (goggles) marked to comply with ANSI Z87.1.
	Wear Protective Gear	Always use an approved helmet and protective gear.
	Public Roads	Never use this dirt bike on public roads.
	Passengers	Never carry passengers on this dirt bike.
	Drugs and Alcohol	Never use with drugs or alcohol.
	Age Limit	Never permit children under the age of 16 to operate this dirt bike.
	Toxic Fumes	Gas products emit carbon monoxide, an odorless, colorless, poison gas. Breathing carbon monoxide can cause nausea, fainting, or death.

SAFETY LABELS

The following labels are found on the product. For your safety, please review and understand all of the labels before starting the product. If any of the labels come off the unit or become hard to read, contact an authorized service center for replacement.



1

⚠ WARNING ⚠ AVERTISSEMENT ⚠ ADVERTENCIA

Improper use of this motorcycle can result in SEVERE INJURY or DEATH.
L'utilisation incorrecte du moto peut causer DES BLESSURES SÉVÈRES ou LA MORT.
El uso inadecuado de las motocicleta puede provocar LESIONES GRAVES o la MUERTE.

 Always use an approved helmet and protective gear.
Portez toujours un casque approuvé et un équipement de protection.
Use siempre un casco aprobado y equipo de protección.

 Never use on public roads.
Ne conduisez jamais sur des voies publiques.
Nunca use el vehículo en la vía pública.

 Never carry passengers.
Ne transportez jamais avec un passager.
Nunca lleve pasajeros.

 Never use with drugs or alcohol.
Ne jamais utiliser avec les médicaments ou l'alcool.
Nunca utilice con drogas o alcohol.

989000279-01

2



3

⚠ WARNING

This vehicle is an off-road motorcycle and is not intended for use on public highways.

⚠ AVERTISSEMENT	⚠ ADVERTENCIA
Ce véhicule est une motocyclette hors route qui n'est pas être utilisée sur les voies publiques.	Este vehículo es uno modos carretera y no es para uso en autopistas públicas.

4

For customer service call/
Pour service à la clientèle téléphoner /
Para servicio al cliente llame

1-888-863-BAJA
(2252)

SAFETY LABELS

5

⚠ WARNING	⚠ AVERTISSEMENT	⚠ ADVERTENCIA
LOADING: Maximum vehicle capacity is: 165 lbs. (74.8 kg) Maximum capacity includes the weight of the operator and accessories.	CHARGEMENT DU VEHICULE Charge maximale autorisée : 74,8 kg (165 livres) La charge maximale autorisée inclut le poids combiné de l'utilisateur et des accessoires.	CARGA: La capacidad máxima del vehículo es: 74,8 kg (165 lbs) La capacidad máxima incluye el peso del operador y los accesorios.

6

CAUTION Engine is shipped without lubricant. Add lubricant to the engine before starting for the first time. Use 15w40 lubricant. **DO NOT** add lubricant to gasoline. Unleaded fuel only – 87 Octane or higher. Do not use E85.


ATTENTION Le moteur est envoyé sans lubrifiant. Ajoutez de lubrifiant au moteur avant de le démarrer pour la première fois. Utilisez de lubrifiant moteur 15w40. **NE PAS** ajouter de lubrifiant à l'essence. Utiliser exclusivement de l'essence sans plomb avec un indice d'octane de 87 ou plus. Ne pas utiliser l'essence E85.

PRECAUCIÓN El motor se envía sin lubricante. Añada lubricante al motor antes de arrancarlo por primera vez. Utilice del lubricante para motor 15w40. **NO** añada lubricante a la gasolina. Utilice combustible sin plomo solamente con un octanaje de 87 o mayor. No utilice combustible E85.


989000332-01

7


⚠ WARNING

 Operating this vehicle if you are under the age of 16 increases your chance of severe injury or death. **NEVER** permit children under age 16 to operate this vehicle.

⚠ AVERTISSEMENT

 L'utilisation de ce véhicule par des enfants de moins de 16 ans augmente le risque de blessures sévères ou de mort. **Ne permettez JAMAIS** aux enfants de moins de 16 ans d'utiliser ce véhicule.

⚠ ADVERTENCIA

 Operar este vehículo cuando es menor de 16 años aumenta la posibilidad de lesiones graves o la muerte. **NUNCA** permita que los niños menores de 16 años operen este vehículo.

9

⚠ WARNING

Improper tire pressure or overloading can cause loss of control. Loss of control can result in serious injury or death.

COLD TIRE PRESSURE:
 Recommended:
Front and Rear: 15-18 psi (103-124 kpa)
 Never set tire pressure below the recommended level. It could cause the tire to dislodge from the rim.

⚠ AVERTISSEMENT

Une pression des pneus inadéquate ou une surcharge peuvent provoquer la perte de contrôle du véhicule. La perte de contrôle du véhicule peut causer des blessures sévères ou la mort.

PRESSION DES PNEUS A FROID :
 Recommandée :
Avant et Arrière: 103-124 kpa (15-18 psi)
 Ne gonflez jamais les pneus à une pression inférieure à la pression recommandée. Un pneu gonflé à une pression trop basse peut se détacher de la jante.

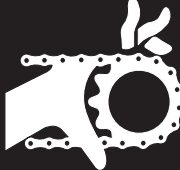
⚠ ADVERTENCIA

La presión incorrecta de los neumáticos o su sobrecarga pueden causar la pérdida de control. La pérdida de control puede provocar lesiones graves o la muerte.

PRESIÓN DEL NEUMÁTICO EN FRÍO:
 Recomendada:
Delantera y Trasera: 103-124 kpa (15-18 psi)
 Nunca fije la presión del neumático por debajo del nivel recomendado. Podría causar que el neumático se desprendiera de la llanta.

8

⚠ WARNING



- Moving parts can crush and cut.
- Keep hands clear.
- Do not operate with guard removed.

⚠ AVERTISSEMENT

- Les pièces mobiles peuvent broyer et couper.
- Garder les mains éloignées.
- Ne pas conduire si les dispositifs de sécurité sont retirés.

⚠ ADVERTENCIA

- Partes en movimiento pueden raspar o cortar.
- Mantenga sus manos libres.
- No la utilice sin la cubierta.

FRAME AND ENGINE SERIAL NUMBER LOCATION

You need to know the frame and engine serial numbers to get title documents for the dirt bike. You also need these numbers to order parts from your authorized service center or Baja Motorsports.

The frame number is stamped on the front of the dirt bike frame. The engine serial number is located on the left side of the engine housing.

Write down the serial numbers here for your future reference:

Frame No.:

Engine No.:

FEATURES

Engine switch — The engine switch must be placed in the ON position to start the engine. To stop the engine, place the switch in the OFF position.

Front brake lever — The front brake can be applied by squeezing the front brake lever.

Fuel valve — This vehicle has one manually operated fuel valve featuring 3 positions.

In the ON position, fuel is allowed to flow into the carburetor when the engine is running or being started.

In the OFF position, fuel is shut off from the carburetor. The fuel valve needs to be placed in this position when the dirt bike is not in use.

If the fuel level in the tank becomes too low for the engine to run while in the ON position, turn the fuel valve to RESERVE. This will allow the engine to begin using the reserve fuel supply. There is approximately 1 liter of fuel left in the tank in the reserve position. Refuel as soon as possible and then place the fuel valve back in the ON position.

Fuel tank cap — To open the fuel tank cap, turn the cap counterclockwise. To close, turn the cap clockwise and tighten it securely.

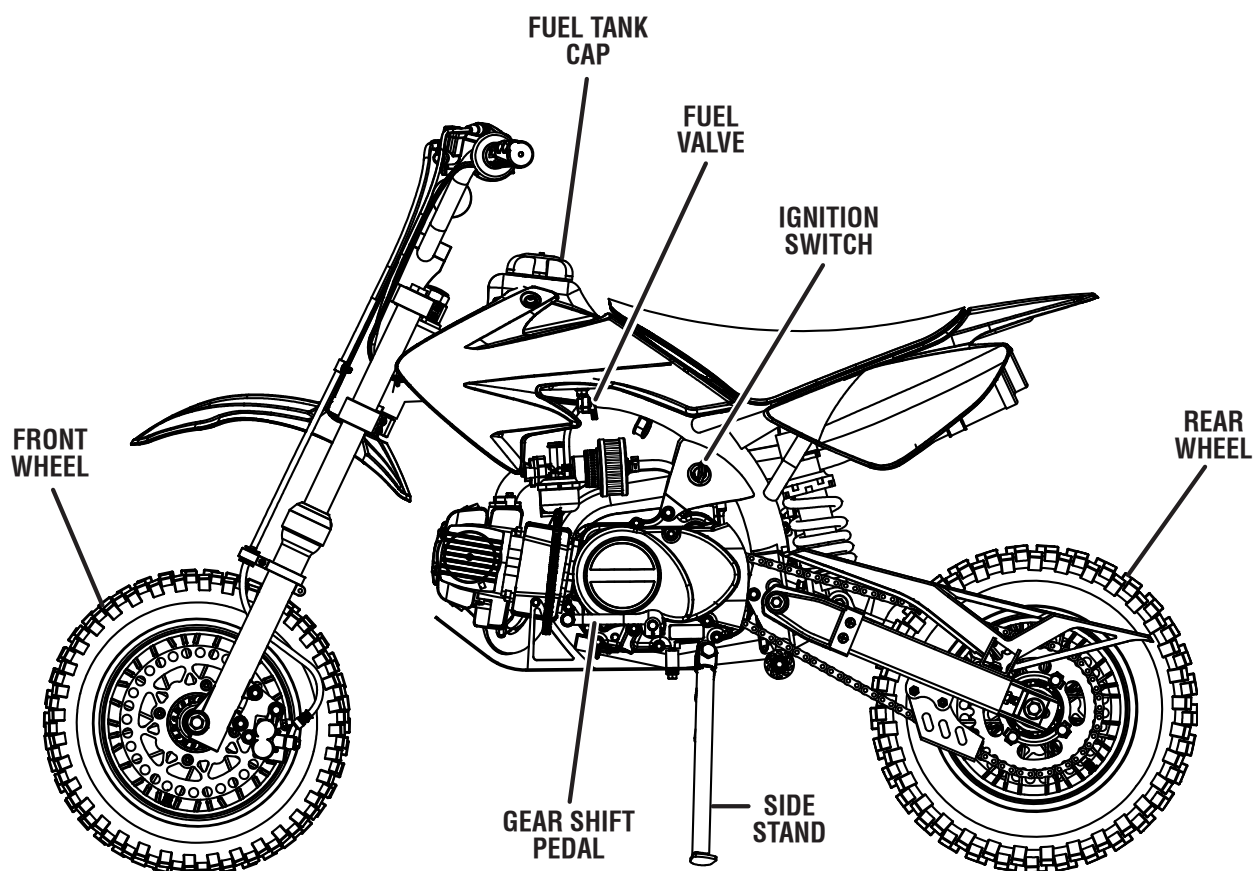
Ignition switch (if equipped) — The ignition switch is used for starting and stopping the engine.

Kick start lever — Depress the kick start lever to start the engine.

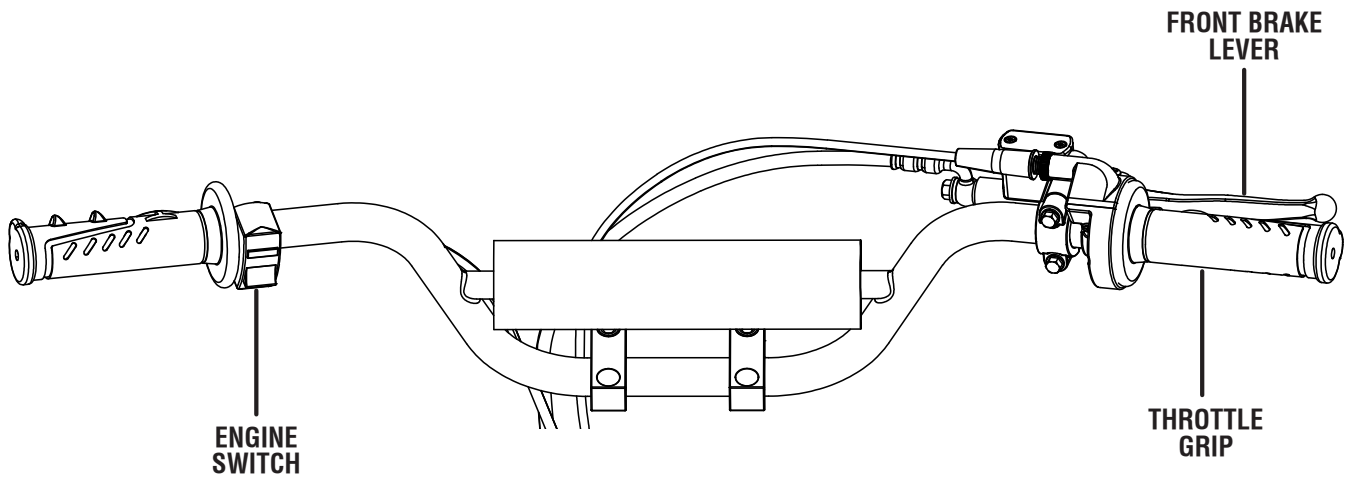
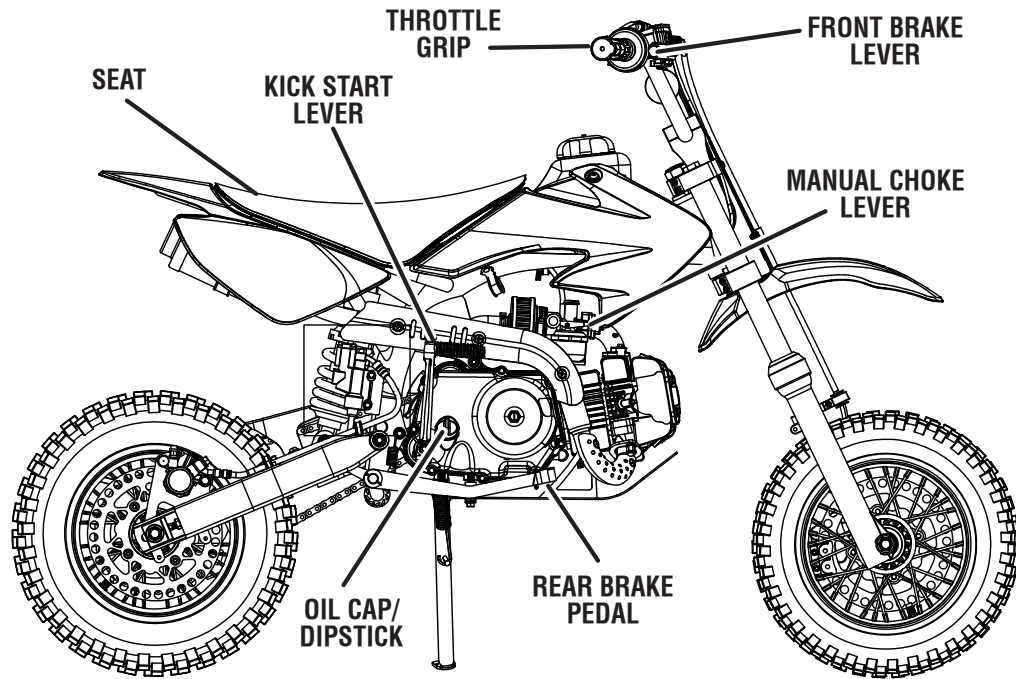
Manual choke lever — When engine is cold, place the choke lever in the ON position. When engine has warmed up, move lever back to the OFF position.

Rear brake pedal — The rear brake can be applied by depressing the brake pedal.

Throttle grip — Controls engine and dirt bike speed. Rotate the throttle grip backward (toward operator) to increase engine and dirt bike speed. Rotate the throttle grip forward (away from operator) to decrease engine and dirt bike speed.



FEATURES



OPERATION

WARNING:

Always wear appropriate protective clothing and accessories: a properly fitting helmet, eye protection (goggles) marked to comply with ANSI Z87.1, gloves, over the ankle boots, long-sleeved shirt or jacket, chest protector, and long pants.

WARNING:

Always wear eye protection with side shields (goggles) marked to comply with ANSI Z87.1. Failure to do so could result in objects being thrown into your eyes, resulting in possible serious injury.

WARNING:

Do not allow familiarity with product to make you careless. Remember that a careless fraction of a second is sufficient to inflict serious injury.

SAFETY GEAR

A DOT or Snell-approved motorcycle helmet is the most important part of your safety gear because it can help prevent a serious head injury. Choose a helmet that fits snugly. Retailers can help in selecting a good quality helmet which fits properly.

Always wear eye protection when you ride. If a rock or branch hit your eyes, you could be severely injured. Wear shatterproof goggles.

BREAK-IN

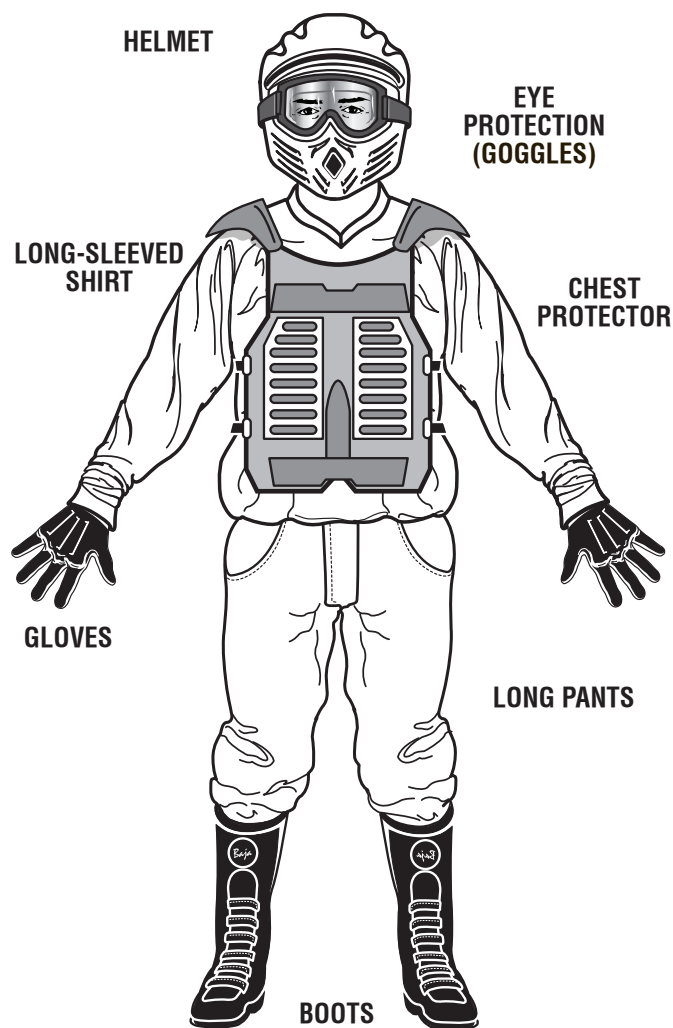
CAUTION:

Carefully and correctly follow the break-in procedures. Failure to follow the break-in procedures can significantly shorten the life of your dirt bike by causing excessive wear and damaging the engine.

The first month is the most important in the life of your vehicle. Proper operating during this break-in period will be helpful for assuring maximum life and performance of your new dirt bike. The following guidelines explain proper break-in procedures.

Vary the engine rotating speed. Vary the engine rotating speed during the break-in period. This allows the parts to “load” and then “unload” (allowing the parts to cool). Although it is essential to place some stress on the engine components during break-in, you must be careful not to load the engine too much.

Avoid constant low or high rotating speed. Operating the engine at constant low rotating speed (light load) can cause parts to glaze and not seal properly. Operating the engine at a constant high rotating speed can cause excessive heat, which can damage internal components. Allow the engine to accelerate freely without exceeding the maximum throttle limit.



Allow the engine lubricant to circulate before riding. Allow enough idling time after warm or cold engine starting. This allows the lubricant to reach all critical engine components.

Observe and document your initial and most critical service. The initial service (break-in maintenance) is the most important service that your vehicle will receive. Observing a proper break-in operating, will help engine components seal properly. Maintenance required as part of the initial service includes proper adjustments, tightening of all bolts and nuts, and replacement of dirty oil. Timely performance of this service will help you get the best service life and performance of the engine.

WARNING:

Always inspect your dirt bike according to the pre-ride inspection checklist each time before riding and make sure it is in a safe operating condition. Failure to inspect the dirt bike before operating could increase the chance of an accident, resulting in serious personal injury or equipment damage.

OPERATION

⚠ WARNING:

Always use the size and type of tires specified in this Operator's Manual. Always maintain proper tire pressure as described in the *Maintenance* section of this manual and on the unit. Operating this dirt bike with improper tires, or improper tire air pressure, could be hazardous. If you use improper tires or improper air pressure, you may lose control of the dirt bike and cause an accident, which could result in serious personal injury.

WHAT YOU SHOULD KNOW BEFORE RIDING

Before riding, you should read carefully and understand all the following information, in addition to being thoroughly familiar with the *Rules for Safe Operation* in the front of this manual. If you are properly prepared, you will have a more enjoyable ride.

Before riding, you should find a flat, open area with enough space to practice the skills.

⚠ WARNING:

The risk of an accident is greatly increased if the operator does not know how to operate the dirt bike properly in different situations and on different types of terrain. Beginning and inexperienced operators should complete the certified training courses offered by the Motorcycle Safety Foundation (www.msf-usa.org). They should then regularly practice the skills learned in the course and the operating techniques described in the Operator's Manual. Failure to follow safe and proper operating techniques could result in serious personal injury.

For more information on dirt bike safety, contact Baja Motorsports at 1-866-260-8630.

Do not operate the dirt bike indoors where there is little or no ventilation. Breathing in exhaust gasses from the dirt bike could cause severe injury or death. Always run your dirt bike outdoors where there is fresh air.

Make sure it is legal to ride in the area you selected; comply with all laws and make sure you are not trespassing. Call the police if you don't know where you can ride.

Protect your riding areas. When you are riding, remember to keep the terrain in good condition. Don't destroy plants, trees, or other vegetation. Don't litter and don't bother wildlife. With your help, your riding area can remain open for use in the future.

After you have found a good place to practice, review the control system on your dirt bike before riding. Learn to find these controls without looking for them, because you will not have time to look for them when you are riding.

NOTE: Obtain, review, and follow all laws, acts, and regulations pertaining to owning and operating an off-road vehicle.

⚠ WARNING:

Never ride your dirt bike on a frozen lake or river. Serious injury or death could occur if the ice breaks.

FUELING/REFUELING THE DIRT BIKE

⚠ WARNING:

Gasoline and its vapors are highly flammable and explosive. To prevent serious personal injury and property damage, handle it with care. Keep away from ignition sources and open flames, handle outdoors only, do not smoke, and wipe up spills immediately.

⚠ WARNING:

Improper fueling of the dirt bike could be hazardous. Failing to follow safety precautions when refueling could result in a fire or explosion or let you breathe toxic fumes, causing serious personal injury.

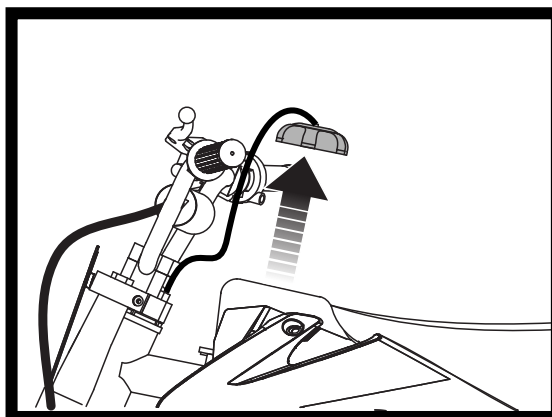
⚠ WARNING:

Always shut off engine before fueling. Never add fuel to a dirt bike with a running or hot engine. Do not smoke or allow flame or spark in the vicinity while the unit is being refueled. Always work in a well-ventilated area. Move at least 30 ft. (9,1 m) from refueling site before starting engine. Improper handling of fuel could result in serious personal injury.

- Clean surface around fuel cap to prevent contamination.
- Slowly turn the fuel tank cap counterclockwise and remove.

⚠ WARNING:

If a whistling sound is heard when loosening the fuel tank cap, have the vehicle inspected and repaired before continued operation. Failure to do so could cause the fuel to overheat, resulting in a fire or explosion causing serious personal injury.



OPERATION

- Carefully pour fuel into the tank until the level reaches approximately 2 in. below the top of the fuel tank opening. Avoid spillage.
- Replace fuel tank cap and turn clockwise to secure.
- If it came loose during refuelling, replace the vent tube in the fuel tank cap. Make sure the other end of the tube is still installed in the handlebar.

WARNING:

Check for fuel leaks. A leaking fuel cap is a fire hazard and must be replaced with an original manufacturer's replacement cap immediately. If you find any leaks, correct the problem before using the product. Failure to do so could result in a fire that could cause serious personal injury.

WARNING:

Overfilling the fuel tank could be hazardous. If you overfill the fuel tank, fuel may overflow when it expands due to heat from engine or sun. Spilled fuel could catch fire or explode, resulting in serious personal injury.

WARNING:

Failure to complete the pre-ride inspection and verify proper performance of the dirt bike before riding can result in serious personal injury.

PRE-RIDE INSPECTION

ITEM TO CHECK	ITEM MUST PERFORM AS FOLLOWS:
Steering	Smoothness; no restriction of movement; no play or looseness.
Brakes	Proper brake lever free play; enough brake force.
Tires	Proper air pressure; enough tread depth; no cracks, rips, or other damages.
Fuel	Enough fuel for the intended trip.
Fuel cap	No damage to fuel tank or cap; fuel tank cap closed securely.
Engine stop switch	Proper operation of switch. Start engine, then press stop switch. Engine should stop.
Engine lubricant	Proper level; check lubricant by inspecting engine oil dip stick. The engine lubricant should be between the minimum and maximum lines.
Throttle	Proper free play of throttle grip; smooth response; quick return to idle position.
General condition	Bolts and nuts are tight; no rattle from any parts of the engine when running; no visible evidence of damage including frame cracks.

STARTING THE ENGINE

- If equipped with an ignition key, insert key into ignition switch and turn to ON position.
- Make sure transmission is in neutral.
- Put the engine switch in the ON position.
- Turn the fuel valve to the ON position.
- Place the choke lever in the ON position.
- Start the engine using the ignition switch (if equipped) or the kick start lever.
- Allow engine to warm, then move the choke lever to the OFF position.

WARNING:

Always open the throttle gradually when you want to accelerate. Opening the throttle suddenly could cause the front wheel to leave the ground and cause loss of control of the dirt bike causing serious personal injury.

WARNING:

Always keep both hands on the handlebars and both feet on the foot rests of your dirt bike during operation. Removing even one hand or foot can reduce your ability to control the dirt bike or could cause you to lose your balance and fall off the dirt bike. If you remove a foot from the foot rest, you may come in contact with the dirt bike, ground, obstacles, etc., which could cause an accident and result in serious personal injury.

STOPPING THE ENGINE

- Rotate the throttle grip forward (away from you) to slow down the engine.
- Place the engine switch in the OFF position.
- Turn the fuel valve to the OFF position.
- If equipped with an ignition key, turn key to OFF position, then remove key from switch.

OPERATION

WARNING:

The following instructions are for general use in standard operating conditions. Information in the Motorcycle Safety Foundation (MSF) instruction manual accompanying the vehicle takes precedence over this information. In addition, all drivers should take an accredited course.

BRAKING

This dirt bike is equipped with a hand-operated front brake and a foot-operated rear brake. Apply brakes in a progressive fashion to prevent wheel lock-up. As a general rule, aim to brake 70% using the brake lever. By using both front and rear brakes, you will achieve faster, more stable and effective braking.

To slow down or stop the dirt bike, apply the front and rear brakes while downshifting. Slowly increase braking as you feel your speed reduce.

If you apply the brakes too abruptly, you may lock the wheels, slide, and lose control of the dirt bike. If this should happen, release the brakes and steer straight until you have completely regained control.

Never ride with your foot resting on the brake pedal or your hand on the brake lever. This could cause your brakes to overheat and will indicate false braking to other motorists.

SHIFTING GEARS

This dirt bike has a 4-speed transmission with a centrifugal automatic clutch.

To shift the vehicle in neutral while driving, repeatedly depress the gear shift pedal.

To shift the vehicle through gears 1-4:

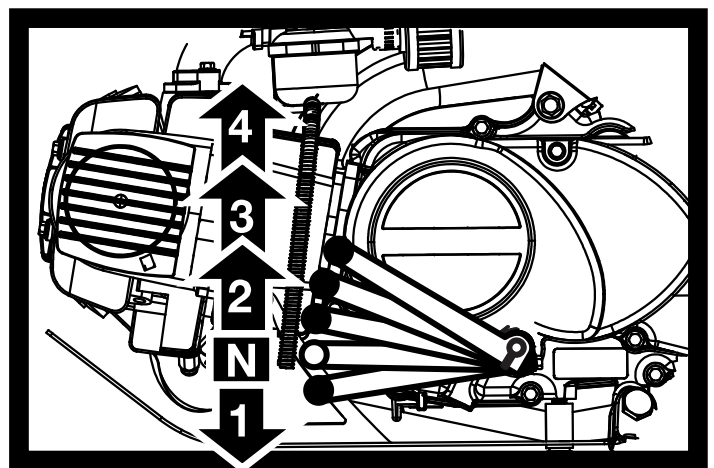
- Reduce throttle.

NOTE: Never increase throttle while shifting gears.

- Shift into first gear by depressing the gear shift pedal.
- Open throttle gradually. Once vehicle has reached adequate speed, release throttle and lift up on the gear shift pedal to shift into second gear.
- Open throttle gradually then repeat procedure for the remaining gears.
- When slowing down or stopping, reduce throttle and apply the brakes smoothly. As the dirt bike slows down, shift to a lower gear by depressing the gear shift pedal.

Shifting tips:

- Avoid unnecessary idling of the engine at high speeds. Allowing the dirt bike to idle at high speeds for extended periods could cause serious engine damage.
- Only shift to the low speed gears when you feel there is insufficient power to climb hills or continue forward.
- Do not use the front brake only or coast using the neutral gear, especially when descending a hill or driving at high speed.
- Decrease throttle when braking.



MAINTENANCE

INSPECTION AND MAINTENANCE SCHEDULE

It is very important to inspect and maintain your dirt bike regularly. Follow the guidelines in the chart below. The intervals between periodic services in months are shown. At the end of each interval, be sure to perform and document the maintenance listed.

Any properly trained and qualified person may maintain the emission control device and systems on your Baja unit. Only a Baja authorized service center may honor your emission control device and systems limited warranty.

WARNING:

Failing to perform recommended maintenance or performing maintenance improperly can lead to an accident and cause serious personal injury, cause noncompliance to emissions regulations, and may void your warranty. If you are not sure how to perform the maintenance items below, contact your Baja authorized service center or Baja Motorsports.

Item	First month or 20 hours	Initial 3 months or 50 hours	Every 3 months or 50 hours	Every 6 months or 100 hours
Valves*	I			I
Spark Plug		C	C	
Valve Clearance — Inspect, Adjust				I
Air Filter	I Every 20-40 hours (more often in dusty areas)			
Carburetor*		I		I
Exhaust System*				I
Spark Arrestor				I
Fuel Hose		I		I
Engine Lubricant	R			R
Brakes	I	I	I	
Chain Tension	I	I	I	I
Wheels	I			I
Wheel Bearings	I			I
Front and Rear Suspension				I
Steering System	I	I	I	
Steering Shaft Lubrication (Use Li Grease)*				L
Bolts, Nuts, Fasteners	T	T	T	

* — This item of maintenance should be carried out at a service center. It may also be done by the user with reference to this manual provided special tools and authorized spare parts are used. The user must also be capable of completing the procedure.

I = Inspect and clean, adjust, lubricate, or replace as necessary

C = Clean R = Replace A = Adjust L = Lubricate T = Tighten

CAUTION:

If you operate your dirt bike under severe conditions, it will need maintenance more often than shown in the chart above. Severe conditions include operating under frequent full throttle or in dusty, wet, sandy, or muddy areas. If you have questions regarding appropriate maintenance intervals for your dirt bike, contact your Baja authorized service center or Baja Motorsports.

MAINTENANCE

⚠ WARNING:

Before inspecting, cleaning, or servicing the dirt bike, shut off engine, wait for all moving parts to stop, ensure engine switch is in the OFF position, and disconnect the spark plug wire. Properly ground or move spark plug wire completely away from spark plug opening. Failure to follow these instructions can result in serious personal injury or property damage.

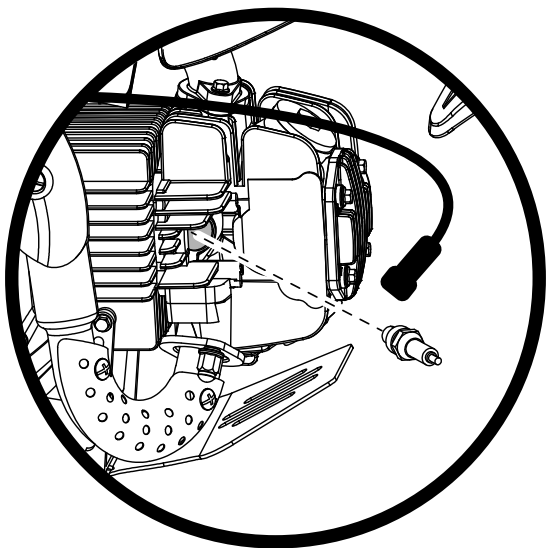
SPARK PLUG

Your dirt bike is equipped with an Torch A7TC spark plug. To determine if the standard spark plug is in good condition, check the color of the plug's center electrode insulator after vehicle operation. A brown color indicates that the plug is correct. A white or dark insulator indicates that the engine may need adjustment or another plug type may be needed. Consult your authorized dealer or Baja Motorsports if your plug insulator is not a light brown color.

NOTE: This dirt bike uses a resistor-type spark plug to avoid jamming electronic parts. Improper spark plug selection may cause electronic interference with your dirt bike's ignition system, resulting in the vehicle performance problems. It could also have an incorrect fit or heat range for your engine, which could cause severe engine damage and void the warranty. Use only recommended spark plugs: Torch A7TC or equivalent.

To install a spark plug, turn it in as far as possible with your fingers, then tighten it with a wrench about 1/2 turn past finger tight (if the spark plug is new) or 1/4 turn past finger tight (if you are reinstalling the old spark plug). Be careful not to cross-thread the spark plug, which could damage the aluminum threads of the cylinder head.

To maintain a proper functioning spark plug, keep the plug free of carbon. Remove carbon from the plug with a wire or pin and adjust the gap to 0.028-0.031 in. (0.7-0.8 mm) for good ignition. Use a thickness gauge to check the gap.



CAUTION:

Keep the spark plug hole covered while the spark plug is removed so that dirt does not enter the open hole. Dirt entering the spark plug hole in the cylinder may damage engine parts that move.

CHANGING/ADDING ENGINE LUBRICANT

Engine lubricant has a major influence on engine performance and service life. Engine lubricant level should be checked before each use of the dirt bike.

For best engine performance, change the lubricant every 20 to 40 hours of operation. In dirty and dusty areas, the lubricant should be changed more often.

Reference the chart below for the appropriate engine lubricant to use based on the temperature range in your area.

NOTE: In very cold weather [below 5°F (15°C)], use SAE10W-50 for good starting and smooth operation.

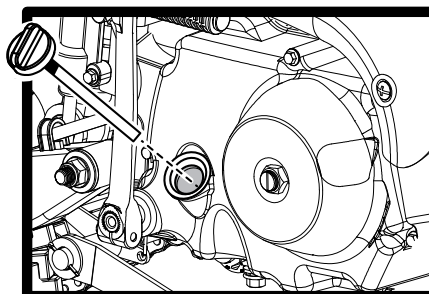
ENGINE LUBRICANT	SAE 10W-30							
	SAE 20W-40				SAE 10W-50			
	SAE 15W-40							
TEMP. °C	-30	-20	-10	0	10	20	30	40
TEMP. °F	-22	-4	14	32	50	68	86	104

Always use a 4-stroke motor lubricant that meets or exceeds the requirements for API service classification SJ. Check lubricant level before each use.

NOTE: Non-detergent or 2-stroke engine lubricants will damage the engine and should not be used.

To check lubricant level:

- Park vehicle on level ground.
- Unscrew the oil cap/dipstick and remove.
- Wipe dipstick clean and re-seat in hole, but do not re-thread.
- Remove the dipstick and inspect the lubricant level. Level should be between the minimum and maximum marks on the dipstick.
- If lubricant is below minimum mark on dipstick, add lubricant until level falls between minimum and maximum marks on the dipstick.

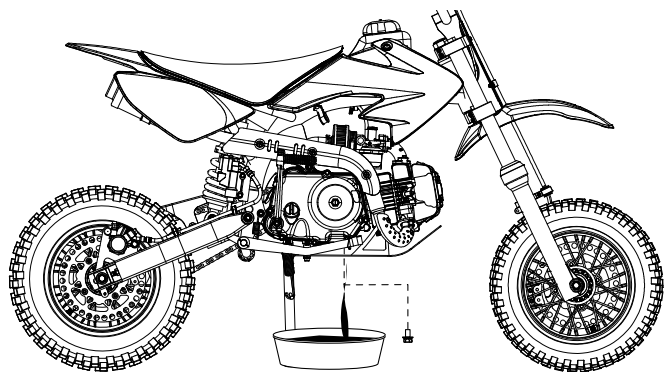


MAINTENANCE

To change engine lubricant:

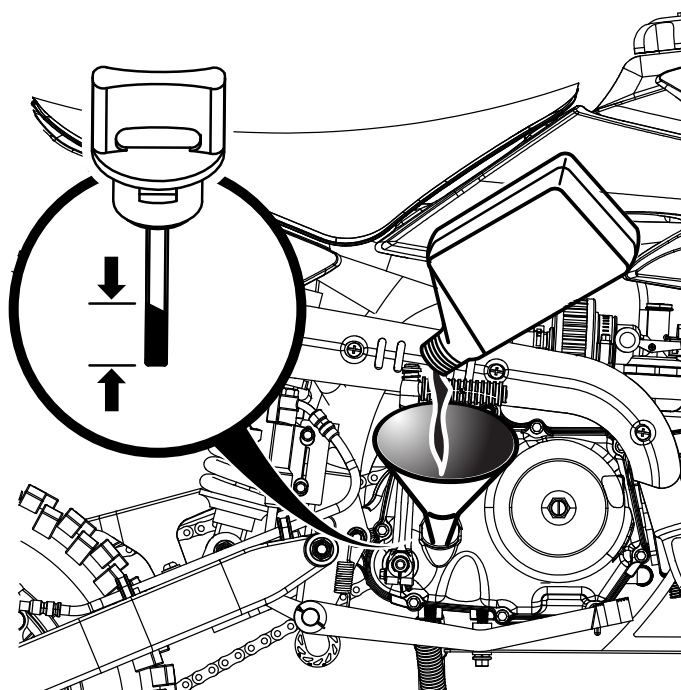
Lubricant should be changed while the engine lubricant is still warm, but not hot. This allows the lubricant to drain quickly and completely.

- Park vehicle on level ground.
- Remove oil cap/dipstick.
- Place a container underneath the oil drainage bolt to collect used lubricant as it drains.
- Unscrew the oil drainage bolt and remove the bolt and washer.
- Allow lubricant to drain completely.



- Reinstall washer and oil drainage bolt. Torque oil drainage bolt to 18 ft.lbs. (24 Nm).
- Fill crankcase with 0.90 qt. (0.85 l) SAE15W40 lubricant.

NOTE: Used lubricant should be disposed of at an approved disposal site. See your local oil retailer for more information.



CHECKING/CLEANING AIR FILTER

The air filter element must be kept clean to provide good engine power. If you use your vehicle under normal, low-tension conditions, you should service the air filter at the intervals specified. If you ride in dusty, wet, or muddy conditions, you will need to inspect the air filter element much more frequently.

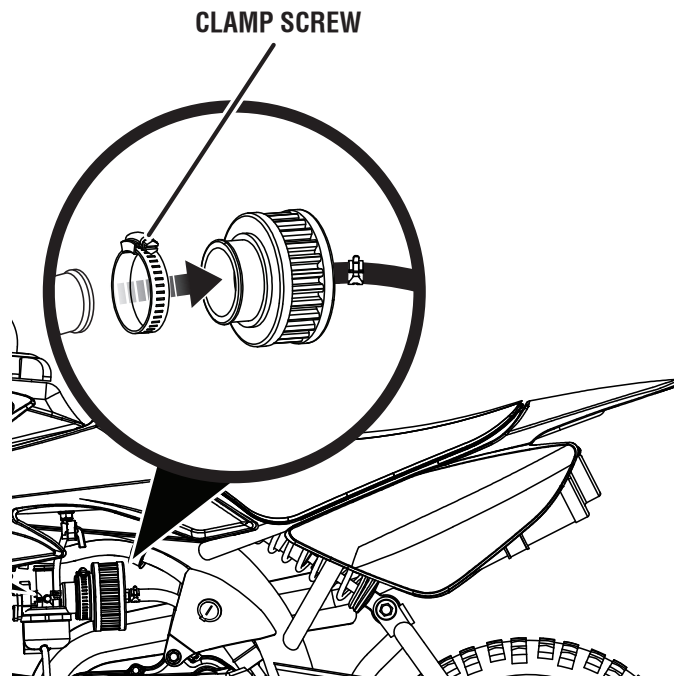
CAUTION:

Always check the air filter element after riding in severe conditions and clean or replace as needed. Operating the dirt bike with a clogged air filter may cause engine damage.

Air filter removal and cleaning:

- Loosen clamp screw to allow air filter to be removed.
- Remove air filter element.
- Inspect filter for dirt or tears.
- Tap filter lightly to clean. If necessary, filter may also be cleaned with compressed air.
- Replace the air filter element and tighten clamp screw. Make sure the element is securely in position and properly sealed.

NOTE: Do not operate the engine without the air filter elements in place. Rapid engine wear will result.



MAINTENANCE

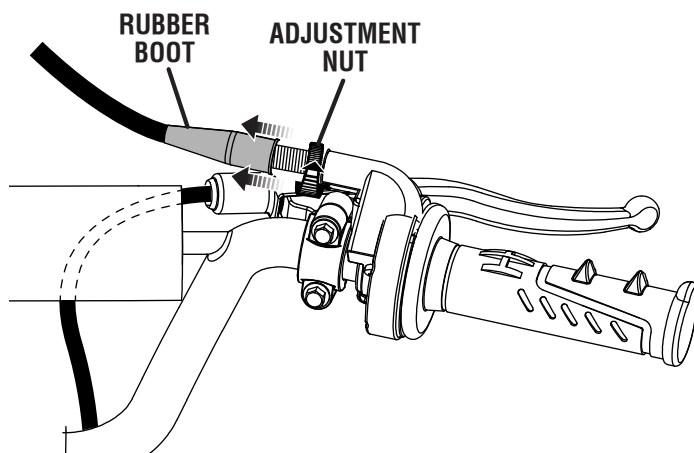
THROTTLE GRIP ADJUSTMENT

Inadequate throttle grip free distance could cause the engine speed to rise suddenly when you turn the handlebars. The correct throttle grip free play distance is between 0.078 in. (2 mm) and 0.24 in. (6 mm). If more or less movement is present, adjust the throttle grip as follows:

- Pull back the rubber boot to gain access to the adjustment nut.
- Rotate the adjustment nut in or out to obtain the correct play.
- Recheck the throttle grip free distance. Readjust if it is still not within the correct limits.

⚠ WARNING:

Do not operate the dirt bike if the throttle grip free play distance is less than 0.078 in. (2 mm) or more than 0.24 in. (6 mm). Operating the vehicle with an incorrect amount of throttle grip free play could cause the rider to lose control, resulting in serious personal injury.



IDLE SPEED ADJUSTMENT

Excessive engine wear can result when the idle speed is incorrect. An idle speed that is too high could also cause the dirt bike to lurch forward when you start the engine.

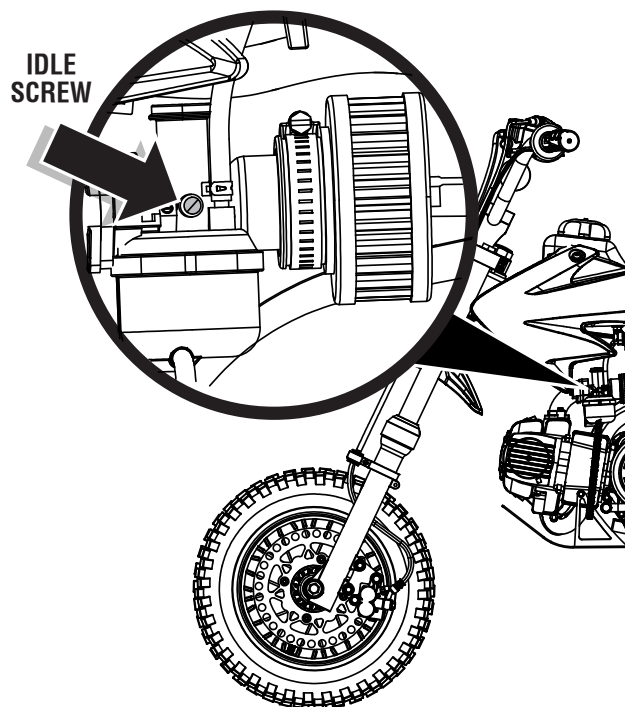
NOTE: You must have a tachometer to adjust the idle speed. If you don't have one, have this service performed by an authorized service center.

To adjust idle speed:

- Start the engine and allow it to warm up.
- Turn the engine idle screw in or out until the engine idle speed is between 1,350 and 1,650 r/min. on the tachometer.

CAUTION:

Make sure the engine is fully warm before adjusting the idle speed. Adjusting the idle speed before the engine is warm may result in excessive engine wear.



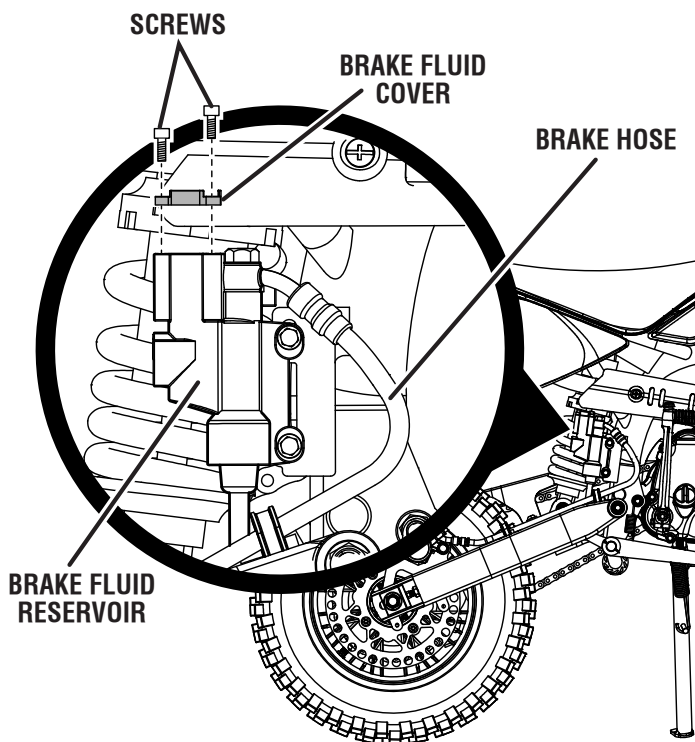
MAINTENANCE

HYDRAULIC DISC BRAKE INSPECTION

- Inspect the brake caliper and brake fluid reservoir for leakage. If brake fluid leaks, the safety of riding could be affected.
- Inspect the brake hose for cracks and the joint for leakage.
- Check the brake fluid level in the brake fluid reservoir. If level is at or below the LOWER mark, inspect brake pads for wear and hydraulic system for leaks.
- Unscrew the 2 screws on top of the brake fluid container and add fluid as needed.

⚠ WARNING:

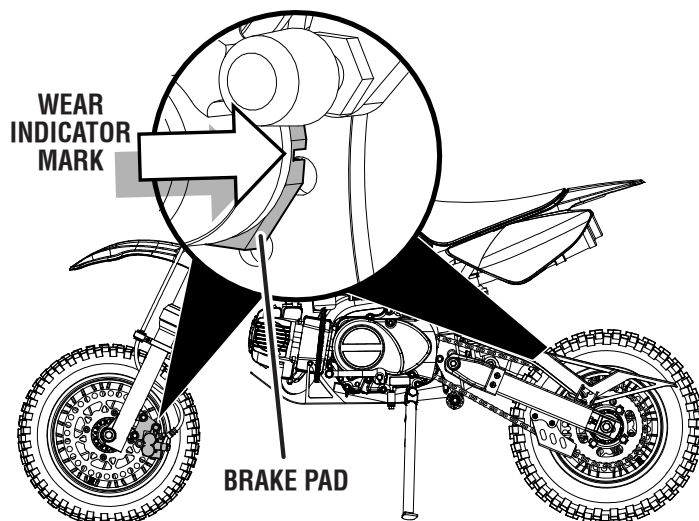
Add DOT3 or DOT4 brake fluid only from a sealed container. Do not mix brake fluid types. Failure to follow this warning could cause the brakes to fail, resulting in serious personal injury.



CHECKING BRAKE PAD WEAR

Brake pad wear differs based on how often you use the brakes, type of riding, and road conditions. Normally brake pads tend to wear quicker on wet and dirty roads. Be sure to check the pads for wear at each maintenance interval.

You can inspect the wear on the pads by using the wear indicator mark. If the pads are worn, have them replaced immediately at an authorized service center.



MAINTENANCE

INSPECTING DRIVE CHAIN/SPROCKETS

The condition of the drive chain should be checked before riding. Always follow the guidelines below for inspecting and servicing the chain.

⚠ WARNING:

Always inspect the drive chain before riding the dirt bike. Failure to maintain the drive chain properly and/or riding with the chain in poor condition could lead to an accident resulting in serious personal injury.

Inspecting the drive chain:

When inspecting the drive chain, look for the following:

- Loose pins
- Damaged rollers
- Dry or rusted links
- Kinked or binding links
- Excessive wear

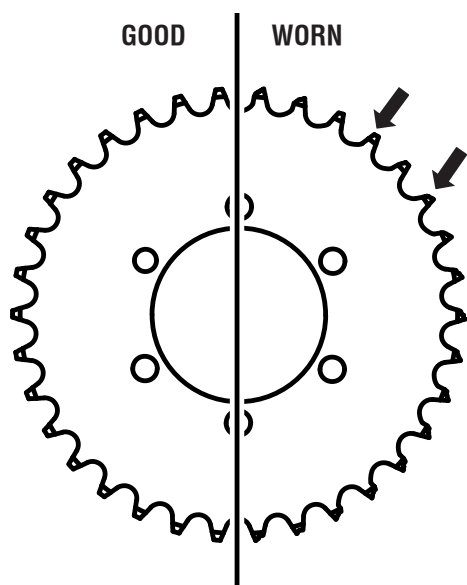
If you find anything wrong with the drive chain, solve the problem by repairing or replacing the chain. If necessary, consult your local authorized service center.

Inspecting the sprockets:

A worn chain can have an adverse affect on the sprockets, therefore any time you find damage to the drive chain, you should also check the front and rear sprockets. When inspecting the sprockets, look for the following:

- Excessively worn teeth
- Broken or damaged teeth
- Loose sprocket mounting nuts

If you find anything wrong with the sprockets, consult your local authorized service center.



CLEANING DRIVE CHAIN

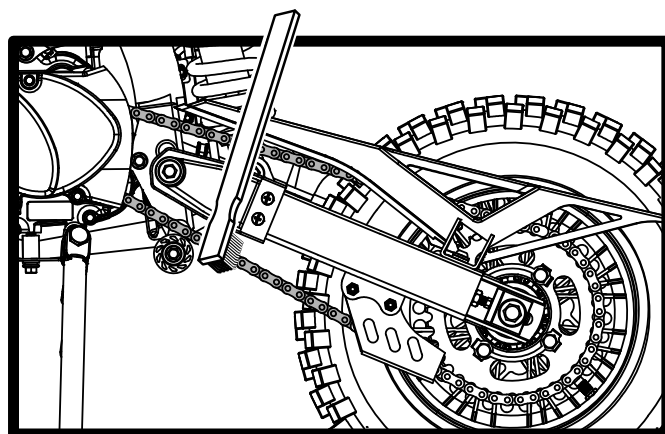
The drive chain should be cleaned, lubricated, and inspected every time you ride the dirt bike.

⚠ WARNING:

Always inspect the drive chain tension before you ride the dirt bike. Too much slack could allow the drive chain to come off the sprockets, which could cause an accident resulting in serious personal injury or cause serious damage to the dirt bike.

Cleaning the drive chain:

- Wash the drive chain with an approved chain cleaner.
- Dry the chain, then lubricate with chain lubricant or the equivalent.



MAINTENANCE

TIRE MAINTENANCE

This dirt bike is equipped with low pressure tires of the size and type listed below:

	Front	Rear
Size	2.75-12	3.0-10

Tire Air Pressure

Check the air pressure in all tires before riding. Improper air pressure will affect handling, steering response, traction, tire life and rider comfort. Be sure tires are inflated to the pressures shown below.

NOTE: Tire pressure should only be measured or adjusted when tires are cold.

Recommended Pressure
15-18 psi (103-124 kPa)

WARNING:

Check the tire pressure carefully while inflating. Too much air in the tire could cause the tire to burst, causing serious personal injury.

WARNING:

Maintaining correct air pressure in the tires is very important. Too little pressure could allow the tire to rotate off the wheel rim. Too much pressure could cause the tire to burst. Failure to maintain correct air pressure in the tires could cause problems with vehicle operation and stability, causing serious personal injury.

TIRE REPAIR

If a leak or flat tire occurs due to a puncture, tire and tube will need to be replaced.

REPLACING TIRES

When tires are worn, the traction of the vehicle will be decreased, which increases the chance of having an accident. Tires should be replaced when the depth on the tread is 0.16 in. (4 mm) or less. Always use the tire type and size recommended in this operator's manual. Using improper tires on the unit could cause loss of control, which could increase your risk of accident.

Have tires replaced by an authorized service center or a qualified tire repair station.

CLEANING

A thorough cleaning of the dirt bike is a necessary part of maintenance. It will help keep the dirt bike looking and performing at its best. Proper cleaning can also extend the life of the dirt bike.

Clean and inspect the dirt bike after every ride, especially if it is used in mud, brush, grass, water, salt water, or very dusty conditions. The build-up of mud, brush, grass, etc., especially on the engine and exhaust system, can reduce engine cooling ability, conceal damage, or increase wear of certain parts. Remove all debris during cleaning.

The dirt bike should be washed before any mud dries on the unit. Avoid spraying or allowing water to flow over the ignition switch, spark plug, fuel tank cap, carburetor, or air filter.

NOTE: Do not use high pressure washers such as those found at car washes. They could cause mechanical, electrical and other damage.

- Hand wash the unit with mild soap or detergent and water. Try to thoroughly remove all dirt and debris without excessive water pressure. Cloth rags, washing mitts, or cleaning brushes can be used, but be careful with brushes as they can scratch plastic or painted surfaces.
- Rinse the unit thoroughly with clean water.
- Dry all areas using a chamois or soft absorbent cloth or allow the unit to air dry.
- Lubricate the chain and run the engine at idling speed for a few minutes.
- Follow the procedures in **Pre-Ride Inspection** to check the unit for any problems that may have occurred during your last ride.
- After washing your dirt bike, test your brakes by riding at a slow speed. If necessary, apply brake several times to let the friction dry out the brake linings. Wet brakes may not provide as much stopping power as dry brakes.

WARNING:

Operating the dirt bike at high speeds when the brakes are wet could result in serious personal injury.

MAINTENANCE

STORING THE DIRT BIKE

If you do not use the dirt bike for a long time, it will need special service requiring appropriate materials, equipment, and skill. For this reason, we recommend you trust this maintenance work to an authorized service center. If you wish to service the machine for storage yourself, follow the general guidelines.

ENGINE LUBRICANT:

- Change the engine lubricant.

FUEL:

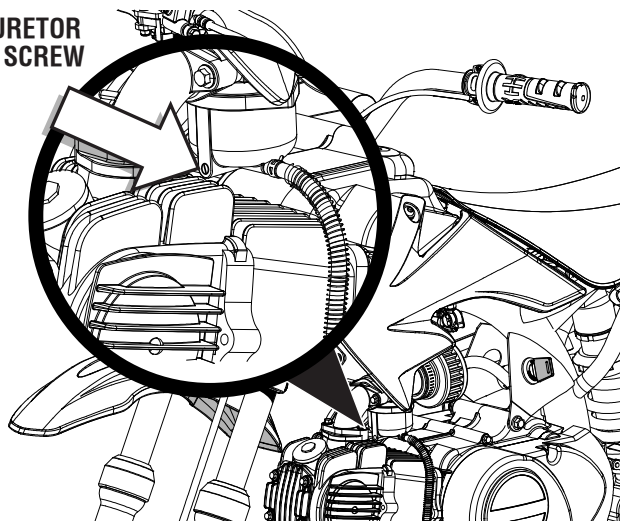
- Using a hand pump, drain the fuel from the fuel tank into a container approved for gasoline.
- Loosen the carburetor drain screw to drain the fuel from the carburetor into a container approved for gasoline.

NOTE: Used fuel should be disposed of properly at an approved disposal site so as to not adversely affect the environment.

WARNING:

Gasoline and its vapors are highly flammable and explosive. To prevent serious personal injury and property damage, handle it with care. Keep away from ignition sources and open flames, handle outdoors only, do not smoke, and wipe up spills immediately.

**CARBURETOR
DRAIN SCREW**



SPARK PLUG:

- Take out the spark plug.
- Pour approximately 0.5-0.68 oz. (15-20 ml) of clean engine lubricant into the cylinder.
- Step on the kick start lever several times to distribute the oil through the engine.

NOTE: Make sure the ignition switch is in the OFF position before stepping down on the kick lever.

- Replace the spark plug.

TIRES:

- Inflate the tires to the normal pressure.

NOTE: Tire pressure should only be measured or adjusted when tires are cold.

Recommended Pressure
15-18 psi (103-124 kPa)

WARNING:

Check the tire pressure carefully while inflating. Too much air in the tire could cause the tire to burst, causing serious personal injury.

WARNING:

Maintaining correct air pressure in the tires is very important. Too little pressure could allow the tire to rotate off the wheel rim. Too much pressure could cause the tire to burst. Failure to maintain correct air pressure in the tires could cause problems with vehicle operation and stability, causing serious personal injury.

VEHICLE:

- Place the vehicle on level ground.
- Wash the vehicle.
- Spray all vinyl and rubber parts with rubber protection.
- Spray unpainted surfaces with rust preventative.
- Coat painted surfaces with car wax.
- Store the dirt bike up on wooden blocks with the two wheels clearing the ground. Put the vehicle in a shady and cool place free from humidity and direct sunlight. Cover it properly (not with plastic or painted materials). If possible, store in a garage.

PROCEDURE FOR RETURNING VEHICLE TO SERVICE:

- Change engine lubricant if unit has been out of service longer than 4 months.
- Clean the entire vehicle.
- Make sure the vehicle is properly lubricated.
- Perform the **Pre-Ride Inspection** as listed previously.

TROUBLESHOOTING

This troubleshooting guide is provided to help you find the cause of some common complaints. If these solutions do not solve the problem contact your authorized service dealer.

COMPLAINT: Engine is hard to start or does not start at all.

1. Check that the fuel valve is in the ON position.
2. Check that the choke lever is in the ON position.
3. Make sure there is adequate fuel in the fuel tank.
4. Drain fuel from tank and carburetor. Replenish with fresh gasoline.
5. Remove and inspect the spark plug. Clean, dry, gap, or replace as needed.
6. Take the dirt bike to a qualified mechanic to replace or repair faulty components as needed.

COMPLAINT: Engine lacks power.

1. Follow the procedures in **Checking/Cleaning the Air Filter** to be sure the air filter is clean.
2. Check for correct position of choke lever.
3. Drain fuel from tank and carburetor. Replenish with fresh gasoline.
4. Check idle speed and adjust, if necessary, following the procedures in **Idle Speed Adjustment**.
5. Take the dirt bike to a qualified mechanic to replace or repair faulty components as needed.

EMISSIONS WARRANTY

BAJA, INC. – EMISSION CONTROL SYSTEM WARRANTY

YOUR WARRANTY RIGHTS AND OBLIGATIONS

This emission control system warranty is part of your purchase agreement and applies to the ultimate purchaser (the first person who in good faith purchases the product for purposes other than resale) and each subsequent purchaser. The emission control system warranty period for this vehicle begins on the date the vehicle is first placed into service by the ultimate purchaser and continues for 30 months after that date, or 5,000km, whichever comes first, provided there has been no abuse, neglect or improper maintenance of your vehicle. This vehicle is designed, built and equipped to meet U.S. EPA emission standards for the full useful life of the vehicle. Where a warrantable condition exists, Baja, Inc. will repair your vehicle at no cost to you, including diagnosis, parts and labor. If an emission-related part on your vehicle is defective, the part will be repaired or replaced by Baja, Inc. This is your emission control defects warranty.

OWNER'S WARRANTY RESPONSIBILITIES

As the vehicle owner, you are responsible for the performance of the required maintenance. You should maintain a record of all maintenance performed on your vehicle and retain all receipts covering maintenance on your vehicle. You may not be denied a warranty claim solely because of your failure to ensure the performance of all scheduled maintenance or lack of maintenance records or receipts. You are responsible for presenting your vehicle to an authorized dealer as soon as a problem exists. The warranty repairs should be completed in a reasonable amount of time, not to exceed 30 days.

As the vehicle owner, you should be aware that you may be denied your warranty coverage if your vehicle or a part has failed due to abuse, neglect, improper maintenance, or unapproved modifications.

WARRANTY COVERAGE:

Baja, Inc. warrants that each new 2010 and later vehicle:

- is designed, built, and equipped so as to conform at the time of initial retail purchase with all applicable regulations of the United States Environmental Protection Agency, and the California Air Resources Board; and
- is free from defects in material and workmanship which cause such vehicle to fail to conform with applicable regulations of the United States Environmental Protection Agency or the California Air Resources Board for the periods specified above.

Your emission control system warranty covers components whose failure would increase an engine's emission, including electronic controls, fuel injection system, carburetor, the ignition system, catalytic converter, or any other system utilized in this vehicle to control emission if it is originally equipped. Also included may be hoses, connectors and other emission-related assemblies. Replacing or repairing other components (including parts, labor, and other costs) not covered by this emission control system warranty or the standard warranty is the responsibility of the owner.

Coverage of repairs under this warranty applies only when repairs are completed at an authorized dealer or repair facility. Baja, Inc. will not cover repairs performed outside of an authorized dealer or repair facility, except to correct an unsafe, emergency condition attributable to Baja, Inc. The use of replacement parts not equivalent to the original parts may impair the effectiveness of your vehicle's emission control system. If such a replacement part is used and an authorized dealer determines it is defective or causes a failure of a warranted part, your claim for repair to bring your vehicle into compliance with applicable standards may be denied.

If an unsafe, emergency condition exists attributable to Baja, Inc., repairs may be performed at any available service establishment, or by the owner, using any replacement part, as long as the operator tries to restore the engine/equipment to its proper configuration as soon as possible. Baja, Inc. will reimburse the owner for the expenses,

including diagnostic charges, not to exceed Baja, Inc.'s suggested retail prices for all warranted parts replaced and labor charges based on Baja, Inc.'s recommended time allowance for the warranty repair and the geographically appropriate hourly labor rate. The owner may reasonably be required to keep receipts and failed parts in order to receive compensation.

This Emission Control System Warranty is in addition to the standard Limited Warranty.

EXCLUSIONS AND LIMITATIONS:

This warranty does not cover the following:

- Failures or malfunctions of the emission control systems caused by abuse, alteration, accident, misuse, the use of leaded gasoline.
- Replacement of expendable maintenance items unless they are original equipment defective in material or workmanship under normal use, and the first required replacement interval for the item has not been reached. Expendable maintenance items include but not limited to spark plugs, filters, coolant, lubricants, gaskets, hoses, and belts.
- Replacements of parts and other services and adjustments for required maintenance.
- Any vehicle equipped with an odometer or hour meter where the reading is altered so that actual mileage cannot be readily determined.
 - Repairs or replacements as a result of accident, misuse, or use of replacement parts or accessories not conforming to the original specifications which adversely affect performance
- Physical damage, corrosion, or defects caused by fire, explosions or similar causes beyond the control of Baja, Inc.
- Failures not caused by a defect in material or workmanship.

Use of the vehicle in any type of competitive racing or related events immediately and completely voids this and all other warranties. Failure to follow the recommended jetting chart/altitude adjustments, if applicable, or other unauthorized modifications, will be considered improper maintenance and use of the vehicle, and may result in the denial of warranty claims.

LIMITED LIABILITY

The liability of Baja, Inc. under this Emission Control System Warranty is limited solely to the remedying of defects in material workmanship by an authorized dealer at its place of business during customary business hours. This warranty does not cover inconvenience or loss of use of the vehicle or transportation of the vehicle to/from the authorized dealer. Baja, Inc. is not liable to any person for incidental, consequential or special damages of any description, whether arising out of express or implied warranty or any other contract, negligence or other tort or otherwise.

No express emission control system warranty is given by Baja, Inc. except as specifically set forth herein. Any emission control system warranty implied by law, including any warranty of merchantability or fitness for a particular purpose is limited to the express emission control system warranty term stated in this warranty. The foregoing statements of warranty are exclusive and in lieu of all other remedies. All express warranties not stated in this warranty are disclaimed. Some states do not allow limitations on how long an implied warranty lasts, so the above limitations may not apply if it is inconsistent with the controlling state law.

No dealer is authorized to modify this Emission Control System Warranty. If you have any questions regarding your warranty rights and responsibilities, you should contact BAJA, INC. (888) 863-2252, 1428 Pearman Dairy Road, Anderson, SC 29625, or the California Air Resources Board, 9528 Telstar Avenue, El Monte, CA 91731 (for California registered vehicles only).

PRODUCT SPECIFICATIONS

DIMENSIONS AND DRY MASS:

Overall length 62.59 in. (1589.8 mm)
Overall width..... 29.33 in. (745 mm)
Overall height 41.18 in. (1046 mm)
Wheelbase..... 41.33 in. (1049.8 mm)
Ground clearance 10.28 in. (261.1 mm)
Seat height 29.96 in. (761 mm)
Dry weight..... 145 lbs. (65.7 kg)

ENGINE:

Bore and stroke 47 mm x 41.4 mm
Displacement..... 72cc
Compression ratio 8:8:1
Starting method Kick start
Idle speed 1500 ± 150 RPM
Transmission type 4 gear mesh

ELECTRICAL:

Ignition type CDI
Spark plug Torch A7TC
Spark plug gap 0.028-0.031 in. (0.7-0.8 mm)

CAPACITIES:

Engine lubricant..... 0.90 qt. (0.85 l) SAE15W40
Fuel tank..... 0.87 gal. (3.3 l)
Payload..... 165 lbs. (75 kg)
Maximum speed 45 mph (72 km/h)

BRAKES:

Brake type Disc

TIRES:

Front 2.75-12
Rear 3.0-10

ÍNDICE DE CONTENIDO

■ Garantía limitada	2
■ Reglas para una operación segura	3
■ Símbolos	4
■ Etiquetas de seguridad	5-6
■ Características	7-8
■ Operación.....	9-12
■ Mantenimiento.....	13-20
■ Corrección de problemas	21
■ Garantía con respecto a las emisiones.....	22
■ Especificaciones del producto.....	23

GARANTÍA LIMITADA

CONSERVE SU RECIBO. Se requerirá que presente una prueba de la compra para justificar cualquier reclamación de garantía.

COBERTURA: Baja, Inc. garantiza al comprador minorista original en los Estados Unidos de América o Canadá, que este producto no tiene defectos materiales y de fábrica, y acuerda, a discreción de Baja, Inc. reparar, suministrar piezas de repuesto o reemplazar (sin cargo por las piezas o la mano de obra) cualquier producto o componente que presente un defecto material por un período de 6 meses a partir de la fecha de compra, salvo las limitaciones que se detallan a continuación. El servicio de garantía y las piezas de repuesto están garantizados únicamente durante la vigencia de la garantía del producto original. Todas las piezas y los productos reemplazados pasan a ser propiedad de Baja, Inc. Este producto también está cubierto por una Garantía del Sistema de Control de Emisiones, que es independiente de esta garantía y adicional a esta. **FUERA DE LA COBERTURA:** Esta garantía no cubre ninguna condición causada por uso indebido, descuido, negligencia, accidente, operación del producto de cualquier manera contraria a las instrucciones de operación especificadas en el manual del operador, desgaste normal, alteración, modificación, mantenimiento inadecuado o insuficiente, uso de piezas de repuesto no autorizadas o servicio proporcionado por cualquier otra persona que no sea un Centro de Servicio Autorizado de Baja Motorsports®. Esta garantía no cubre los gastos de transporte del servicio de garantía. Sin limitar lo antedicho, esta garantía es NULA respecto de cualquier producto que haya sido utilizado para fines de alquiler, o comerciales o que haya sufrido los siguientes daños:

- Bastidor doblado o roto debido al abuso.
- Rueda(s) doblada(s) o rota(s) debido al abuso.
- Guardabarros doblado o roto debido al abuso.
- Cualquier signo de impacto, accidente, salto, derrape o vuelco no causados por la condición para la que se solicita la cobertura de la garantía.

PARA OBTENER SERVICIO: Comuníquese con Baja, Inc. sin cargo al 888-863-2252, de lunes a viernes entre las 7 a.m. y las 4 p.m. hora de la montaña (MST). Se requerirá que presente una copia del recibo de venta como prueba de la compra. Todo servicio de garantía autorizado será remitido a un Centro de Servicio Autorizado de Baja Motorsports®. El costo de transporte del producto desde y hacia el centro de servicio debe ser pagado por el propietario.

LA OBLIGACIÓN DE BAJA, INC. EN VIRTUD DE ESTA GARANTÍA ESTÁ ESTRICTA Y EXCLUSIVAMENTE LIMITADA A LA REPARACIÓN O AL REEMPLAZO DE PIEZAS DEFECTUOSAS, Y BAJA, INC. NO ASUME NI AUTORIZA A NADIE A ASUMIR NINGÚN OTRO TIPO DE OBLIGACIÓN RESPECTO DE ELLAS. NINGÚN DISTRIBUIDOR ESTÁ AUTORIZADO A MODIFICAR ESTA GARANTÍA.

TODAS LAS GARANTÍAS IMPLÍCITAS TIENEN UNA DURACIÓN LIMITADA AL PERÍODO DE GARANTÍA ESTABLECIDO, Y CUALQUIER RESPONSABILIDAD RESPECTO DE ELLAS QUEDA EXPRESAMENTE EXIMIDA EN SU TOTALIDAD POR EL PRESENTE LUEGO DEL VENCIMIENTO DEL PERÍODO DE GARANTÍA DE 6 MESES ESTABLECIDO. ALGUNOS ESTADOS NO PERMITEN LIMITACIONES RESPECTO DE LA DURACIÓN DE UNA GARANTÍA IMPLÍCITA; POR LO TANTO, LA LIMITACIÓN ANTES MENCIONADA PUEDE NO SER APLICABLE A USTED. BAJA, INC. NO ASUME NINGUNA RESPONSABILIDAD POR DAÑOS INCIDENTALES, INDIRECTOS O DE OTRA ÍNDOLE. ALGUNOS ESTADOS NO PERMITEN LA EXCLUSIÓN O LA LIMITACIÓN DE DAÑOS INCIDENTALES O INDIRECTOS; POR LO TANTO, LA LIMITACIÓN O LA EXCLUSIÓN ANTES MENCIONADAS PUEDEN NO SER APLICABLES A USTED.

Esta garantía le brinda derechos legales específicos, y usted también puede tener otros derechos que varían según cada estado.

ADVERTENCIA:

Este manual debe considerarse como una parte permanente del vehículo y debe permanecer con el vehículo cuando se revenda o se transfiera a un nuevo usuario u operador. El manual contiene información de seguridad e instrucciones importantes, que deben leerse detenidamente antes de operar el vehículo. Todos los operadores deben obtener, revisar y obedecer todas las leyes y reglamentaciones gubernamentales provinciales y municipales relacionadas con la tenencia y la operación de un vehículo todoterreno. Los niños menores de 16 años nunca deben operar este vehículo.

REGLAS PARA UNA OPERACIÓN SEGURA

ADVERTENCIA:

Este manual del operador contiene información importante sobre seguridad y mantenimiento. Léalo detenidamente y asegúrese de comprender toda la información que se incluye antes de conducir el vehículo. El incumplimiento de las advertencias que contiene este manual podría provocar LESIONES GRAVES o la MUERTE.

AVISO A LOS PADRES

Este motocross ha sido fabricado para ser utilizado por personas mayores de 16 años. Nunca permita que un menor de 16 años opere el motocross.

Los niños tienen habilidades, capacidades físicas y juicios diferentes. Es posible que algunos niños no puedan operar el motocross en forma segura. Los padres deben supervisar en todo momento el uso del motocross por parte de su hijo. Los padres deben permitir el uso continuo del motocross únicamente si determinan que su hijo tiene la capacidad de operar el motocross en forma segura.

Es muy importante que todas las personas que conduzcan el motocross lleven a cabo un curso de capacitación.

LEA TODAS LAS INSTRUCCIONES

Es importante que este manual permanezca en el vehículo cuando se lo transfiera o preste a otro usuario o propietario.

Toda la información, las ilustraciones, las fotografías y las especificaciones que contiene este manual se basan en la información más reciente sobre el producto que se encuentra disponible al momento de la publicación. Debido a las mejoras u otros cambios, puede haber algunas discrepancias en este manual. Nos reservamos el derecho de efectuar cambios en el producto en cualquier momento, sin previo aviso y sin incurrir en obligación alguna para efectuar dichos cambios o cambios similares en el vehículo fabricado o vendido previamente.




- Lea detenidamente y comprender este manual y todas las etiquetas y siga los procedimientos de operación que se describen.
- Nunca opere un motocross sin haber recibido la instrucción correspondiente. Haga un curso de capacitación. Los principiantes deben recibir capacitación de un instructor certificado. Comuníquese con un distribuidor autorizado de motocross o llame alFundación de Seguridad de Motocicletas (Motorcycle Safety Foundation) al 1-800-446-9227 para averiguar sobre los cursos de capacitación más cercanos a su hogar.
- Nunca lleve un pasajero o carga en un motocross.
- No arranque el motor en un espacio confinado donde puedan acumularse vapores peligrosos de monóxido de carbono. El monóxido de carbono, un gas incoloro, inodoro y extremadamente peligroso, puede causar pérdida del conocimiento o la muerte.
- Nunca consuma drogas ni alcohol antes de operar este motocross ni durante su operación.
- Nunca opere un motocross en ninguna superficie pavimentada, incluidas las aceras, los caminos de entrada, los estacionamientos y las calles.
- Nunca opere un motocross en ninguna calle pública, carretera o autopista, aunque sea de tierra o de grava.

- Nunca opere el motocross durante la noche. “Noche” se define como el período que transcurre desde 30 minutos antes de la puesta de sol hasta 30 minutos después de la salida del sol.
- Nunca opere un motocross sin usar un casco para motocross aprobado por el Departamento de Transporte (Department of Transportation, DOT) que calce correctamente. También debe usar protección ocular con protección lateral (gafas) con la marca de cumplimiento de la norma ANSI Z87.1, guantes, botines, camisa de mangas largas o chaqueta y pantalones largos.
- Nunca opere este motocross a velocidades excesivas. Vaya siempre a una velocidad que sea adecuada según el terreno, la visibilidad, las condiciones de operación y su experiencia.
- Mantenga siempre las dos manos en las barras del manubrio y los dos pies en los apoyapiés del motocross durante la operación.
- Siempre tenga cuidado cuando la unidad patine o se deslice. Aprenda a controlar la unidad de manera segura cuando esta patine o se deslice, practicando a velocidades bajas y en un terreno nivelado y parejo. En superficies sumamente resbaladizas, como superficies con hielo, vaya despacio y sea muy cuidadoso, a fin de reducir las posibilidades de que la unidad patine o se deslice y pierda el control.
- Nunca opere el motocross en colinas demasiado empinadas para el motocross o para sus capacidades. Practique en colinas más pequeñas antes de intentar operar la unidad en colinas más grandes.
- Verifique el terreno detenidamente antes de subir cualquier colina. Nunca suba colinas que tengan superficies sumamente resbaladizas o poco firmes. Lleve su peso hacia adelante. Nunca acelere repentinamente ni efectúe cambios repentinos de marcha. Nunca conduzca por la cima de una colina a alta velocidad.
- Nunca intente hacer caballito, saltos ni otras acrobacias con la unidad.
- Nunca opere una motocross en el agua.
- Verifique siempre que no haya obstáculos antes de operar la unidad en una nueva área. Nunca intente operar la unidad sobre obstáculos grandes, como rocas grandes o árboles caídos. Siga siempre los procedimientos correctos al operar la unidad sobre obstáculos, como se describe en este manual.
- Nunca intente hacer caballito, saltos ni otras acrobacias con la unidad.
- Use siempre neumáticos del tamaño y el tipo especificados en este manual. Mantenga siempre la presión correcta de los neumáticos, como se describe en este manual.
- Verifique el terreno detenidamente antes de subir cualquier colina. Lleve su peso hacia adelante. Nunca conduzca por la cima de una colina a alta velocidad.
- Nunca exceda la capacidad de carga especificada de 75 kg (165 lb.).
- Nunca viaje solo. Este motocross puede ir a 72 km (45 millas) por hora; esto puede resultar en una distancia mayor de la que usted puede caminar de regreso, en el caso de presentarse un problema con el motocross.
- Creemos en la conservación y en la protección de los recursos naturales de la tierra. Alentamos a cada uno de los propietarios y operadores de vehículos a que hagan lo mismo respetando los carteles exhibidos y conduciendo la unidad únicamente en áreas designadas y aprobadas para uso recreativo de vehículos todoterreno.










PARA OBTENER MÁS INFORMACIÓN SOBRE ASPECTOS DE SEGURIDAD DE MOTOCROSS, COMUNÍQUESE CON BAJA MOTORSPORTS EN 1-866-260-8630.

SÍMBOLOS

Las siguientes palabras y significados de las señales tienen como objetivo explicar los niveles de riesgo asociados con este producto.

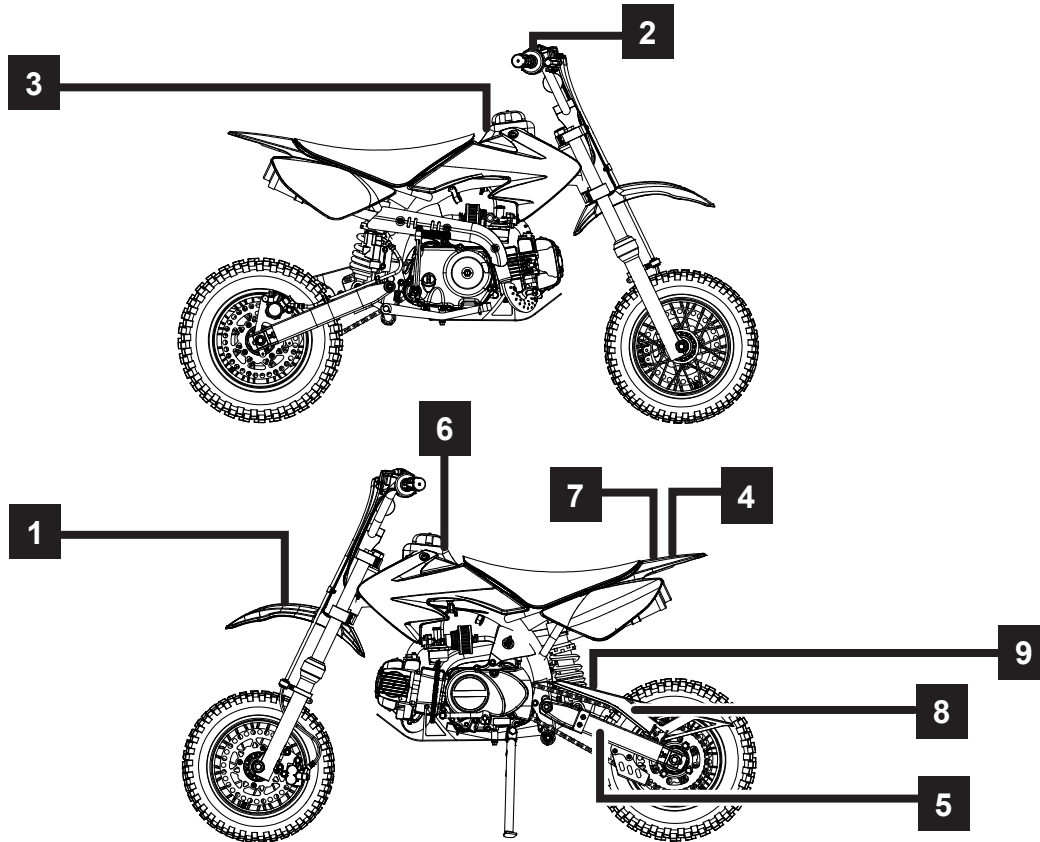
SÍMBOLO	SEÑAL	SIGNIFICADO
	PELIGRO:	Indica una situación de riesgo inminente que, si no se evita, provocará la muerte o lesiones graves.
	ADVERTENCIA:	Indica una situación de riesgo potencial que, si no se evita, podría provocar la muerte o lesiones graves.
	PRECAUCIÓN:	Indica una situación de riesgo potencial que, si no se evita, puede provocar lesiones menores o moderadas.
	PRECAUCIÓN:	(Sin el símbolo de alerta de seguridad) Indica una situación que puede provocar daños a los bienes.

Es posible que algunos de los siguientes símbolos se usen en este producto. Estúdielos y aprenda sus significados para operar este producto con seguridad.

SÍMBOLO	NOMBRE	EXPLICACIÓN
	Alerta de seguridad	Indica un peligro posible de lesiones personales.
	Lea el manual del operador	Para reducir el riesgo de lesiones, el usuario debe leer y comprender el manual del operador antes de usar este producto.
	Protección ocular	Use siempre protección ocular con protección lateral (gafas) con la marca de cumplimiento de la norma ANSI Z87.1.
	Use equipo de protección	Use siempre un casco aprobado y equipo de protección.
	Vías públicas	Nunca use este motocross en las vías públicas.
	Pasajeros	Nunca lleve pasajeros en este motocross.
	Drogas y alcohol	Nunca utilice con drogas o alcohol.
	Límite de edad	Nunca permita que los niños menores de 16 años operen este motocross.
	Vapores tóxicos	Los componentes de la gasolina emiten monóxido de carbono, un gas inodoro, incoloro y tóxico. Aspirar monóxido de carbono puede causar náuseas, desmayos o la muerte.

ETIQUETAS DE SEGURIDAD

Las siguientes etiquetas se encuentran en el producto. Para su seguridad, revise y comprenda todas las etiquetas antes de encender el producto. Si alguna de las etiquetas se desprende de la unidad o se vuelve ilegible, comuníquese con un centro de servicio autorizado para reemplazarla.



1

⚠ WARNING ⚠ AVERTISSEMENT ⚠ ADVERTENCIA

Improper use of this motorcycle can result in SEVERE INJURY or DEATH
L'utilisation incorrecte du moto peut causer DES BLESSURES SÉVÈRES ou LA MORT.
El uso inadecuado de las motocicleta puede provocar LESIONES GRAVES o la MUERTE.

 Always use an approved helmet and protective gear.
Portez toujours un casque approuvé et un équipement de protection.
Use siempre un casco aprobado y equipo de protección.

 Never use on public roads.
Ne conduisez jamais sur des voies publiques.
Nunca use el vehículo en la vía pública.

 Never carry passengers.
Ne transportez jamais avec un passager.
Nunca lleve pasajeros.

 Never use with drugs or alcohol.
Ne jamais utiliser avec les médicaments ou l'alcool
Nunca utilice con drogas o alcohol.

989000279-01

2



3

⚠ WARNING
This vehicle is an off-road motorcycle and is not intended for use on public highways.

⚠ AVERTISSEMENT **⚠ ADVERTENCIA**
Ce véhicule est une motocyclette hors route qui n'est pas être utilisée sur les voies publiques. Este vehículo es uno modos carretera y no es para uso en autopistas públicas.

4

**For customer service call/
Pour service à la clientèle téléphoner /
Para servicio al cliente llame**

1-888-863-BAJA
(2252)

ETIQUETAS DE SEGURIDAD

5

⚠ WARNING	⚠ AVERTISSEMENT	⚠ ADVERTENCIA
LOADING: Maximum vehicle capacity is: 165 lbs. (74.8 kg) Maximum capacity includes the weight of the operator and accessories.	CHARGEMENT DU VEHICULE Charge maximale autorisée : 74,8 kg (165 livres) La charge maximale autorisée inclut le poids combiné de l'utilisateur et des accessoires.	CARGA: La capacidad máxima del vehículo es: 74,8 kg (165 lbs) La capacidad máxima incluye el peso del operador y los accesorios.

6

CAUTION Engine is shipped without lubricant. Add lubricant to the engine before starting for the first time. Use 15w40 lubricant. DO NOT add lubricant to gasoline. Unleaded fuel only – 87 Octane or higher. Do not use E85.
ATTENTION Le moteur est envoyé sans lubrifiant. Ajoutez de lubrifiant au moteur avant de le démarrer pour la première fois. Utiliser de lubrifiant moteur 15w40. NE PAS ajouter de lubrifiant à l'essence. Utiliser exclusivement de l'essence sans plomb avec un indice d'octane de 87 ou plus. Ne pas utiliser l'essence E85.
PRECAUCIÓN El motor se envía sin lubricante. Añada lubricante al motor antes de arrancarlo por primera vez. Utilice del lubricante para motor 15w40. NO añada lubricante a la gasolina. Utilice combustible sin plomo solamente con un octanaje de 87 o mayor. No utilice combustible E85.

989000332-01

7

⚠ WARNING

Operating this vehicle if you are under the age of 16 increases your chance of severe injury or death.

NEVER permit children under age 16 to operate this vehicle.

⚠ AVERTISSEMENT

L'utilisation de ce véhicule par des enfants de moins de 16 ans augmente le risque de blessures sévères ou de mort.

Ne permettez **JAMAIS** aux enfants de moins de 16 ans d'utiliser ce véhicule.

⚠ ADVERTENCIA

Operar este vehículo cuando es menor de 16 años aumenta la posibilidad de lesiones graves o la muerte.

NUNCA permita que los niños menores de 16 años operen este vehículo.

9

⚠ WARNING

Improper tire pressure or overloading can cause loss of control. Loss of control can result in serious injury or death.

COLD TIRE PRESSURE:
 Recommended:
Front and Rear: 15-18 psi (103-124 kpa)
 Never set tire pressure below the recommended level. It could cause the tire to dislodge from the rim.

⚠ AVERTISSEMENT

Une pression des pneus inadéquate ou une surcharge peuvent provoquer la perte de contrôle du véhicule. La perte de contrôle du véhicule peut causer des blessures sévères ou la mort.

PRESSION DES PNEUS A FROID :
 Recommandée :
Avant et Arrière: 103-124 kpa (15-18 psi)
 Ne gonflez jamais les pneus à une pression inférieure à la pression recommandée. Un pneu gonflé à une pression trop basse peut se détacher de la jante.

⚠ ADVERTENCIA

La presión incorrecta de los neumáticos o su sobrecarga pueden causar la pérdida de control. La pérdida de control puede provocar lesiones graves o la muerte.

PRESIÓN DEL NEUMÁTICO EN FRÍO:
 Recomendada:
Delantera y Trasera: 103-124 kpa (15-18 psi)
 Nunca fije la presión del neumático por debajo del nivel recomendado. Podría causar que el neumático se desprendiera de la llanta.

8

⚠ WARNING

- Moving parts can crush and cut.
- Keep hands clear.
- Do not operate with guard removed.

⚠ AVERTISSEMENT

- Les pièces mobiles peuvent broyer et couper.
- Garder les mains éloignées.
- Ne pas conduire si les dispositifs de sécurité sont retirés.

⚠ ADVERTENCIA

- Partes en movimiento pueden raspar o cortar.
- Mantenga sus manos libres.
- No la utilice sin la cubierta.

UBICACIÓN DEL NÚMERO DE IDENTIFICACIÓN DEL VEHÍCULO (VEHICLE IDENTIFICATION NUMBER, VIN) Y DEL NÚMERO DE SERIE DEL MOTOR

Usted debe saber cuál es el VIN y el número de serie del motor para solicitar los documentos de propiedad del motocross. También necesita estos números para solicitar piezas a su centro de servicio autorizado o a Baja Motorsports.

Desde una posición sentada en la motocross, el número de identificación del vehículo (vehicle identification number, VIN) está marcado en el lado derecho del cuello del bastidor, donde se conecta la dirección. El número de serie del motor se encuentra en el lado derecho del cárter del motor.

Anote aquí los números de serie para futura referencia:

VIN:

Núm. del motor:

CARACTERÍSTICAS

Interruptor del motor — El interruptor del motor debe colocarse en posición ON (encendido) para arrancar el motor. Para apagar el motor, coloque el interruptor en la posición OFF (apagado).

Palanca de frenos delanteras — El freno puede accionarse apretando la palanca de frenos delanteras.

Válvula de combustible — Este vehículo tiene una válvula de combustible que se opera manualmente y tiene 2 posiciones.

En la posición ON (encendido), el combustible puede ingresar en el carburador cuando se arranca el motor o está en funcionamiento.

En la posición OFF (apagado), se corta el ingreso de combustible desde el carburador. La válvula de combustible debe colocarse en esta posición cuando el motocross no está siendo utilizado.

Si el nivel de combustible en el tanque de combustible es demasiado bajo para que el motor permanezca funcionando mientras la válvula de combustible está en la posición ON (encendido), gire la válvula de combustible a la posición RESERVE (reserva). Esto permitirá que el motor comience a utilizar el suministro de combustible de reserva. Deberá reabastecer el combustible, lo antes posible. Una vez que ha reabastecido el combustible, gire la válvula nuevamente a la posición ON (encendido).

Tapa del tanque de combustible — Para abrir la tapa del tanque de combustible, gire la tapa del tanque de combustible hacia la izquierda. Para cerrar la tapa del tanque de combustible, gírela hacia la derecha y apriétela firmemente.

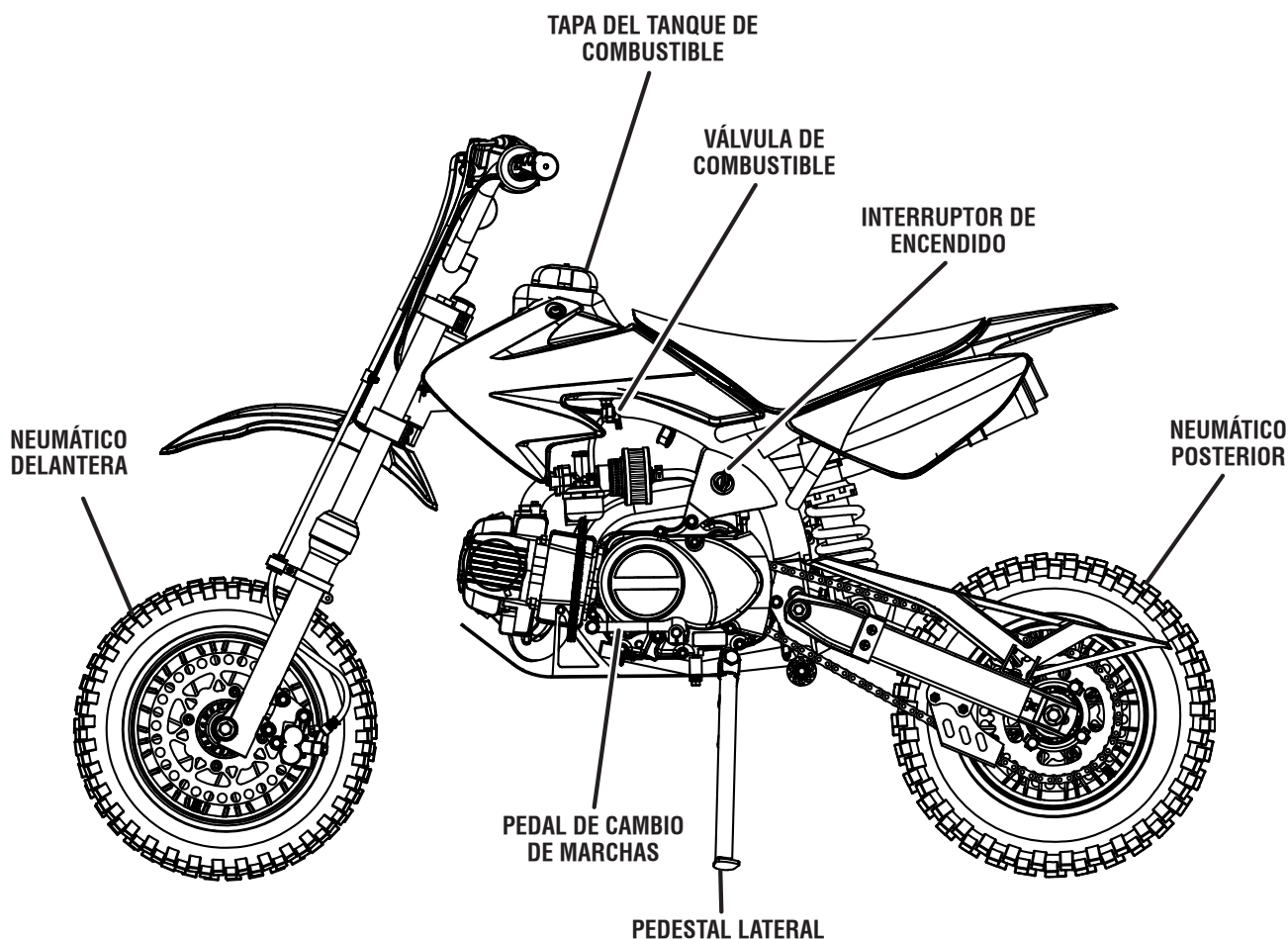
Interruptor de encendido (en caso de que se incluya) — El interruptor de encendido se utiliza para encender y apagar el motor.

Pedal de arranque — Oprima el pedal de arranque para arrancar el motor.

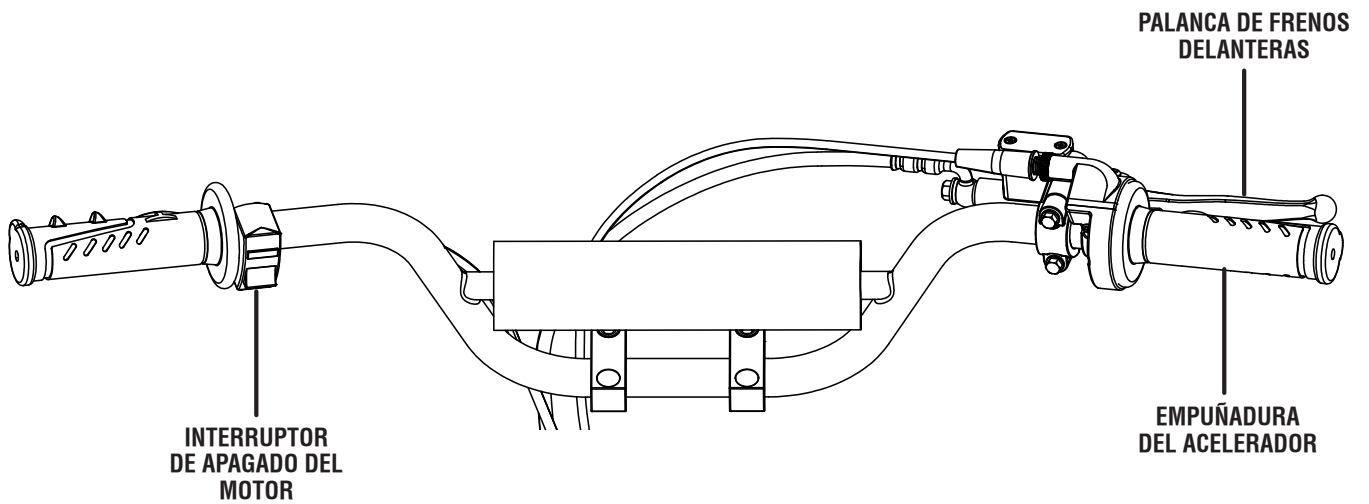
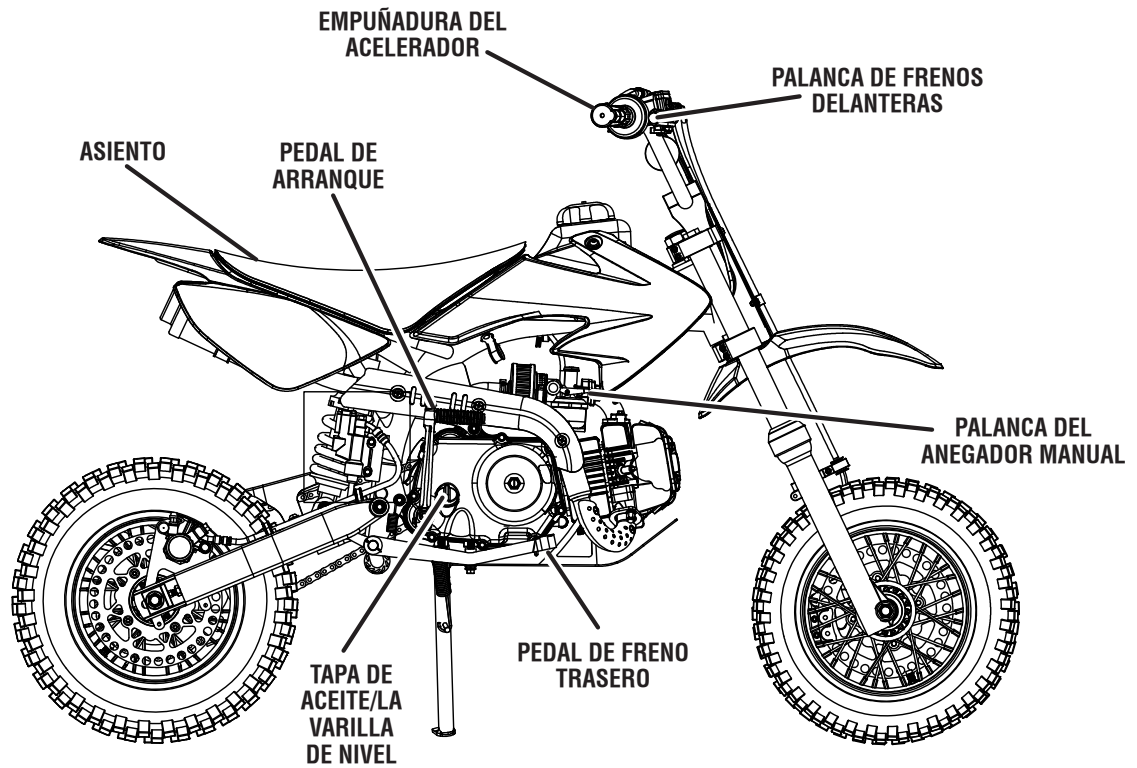
Palanca del anegador manual — Cuando el motor está frío, coloque la palanca del anegador en la posición ON (encendido). Cuando el motor se ha calentado, coloque la palanca nuevamente en la posición OFF (apagado).

Pedal de freno trasero — El freno trasero puede accionarse oprimiendo el pedal de freno.

Empuñadura del acelerador — Controla la velocidad del motor y del motocross. Empuje la empuñadura hacia adelante con el dedo pulgar para aumentar la velocidad del motor y del motocross. Suéltela para disminuir la velocidad del motor y del motocross.



CARACTERÍSTICAS



OPERACIÓN

⚠️ ADVERTENCIA:

Use siempre ropa y accesorios de protección adecuados: Un casco que calce correctamente, protección ocular (gafas) con la marca de cumplimiento de la norma Z87.1 del Instituto Americano de Normas Nacionales (ANSI), guantes, botines, camisa de mangas largas o chaqueta, protector para el pecho y pantalones largos.

⚠️ ADVERTENCIA:

Use siempre protección ocular con protecciones laterales (gafas) con la marca de cumplimiento de la norma Z87.1 del Instituto Americano de Normas Nacionales (ANSI). La inobservancia de esta advertencia podría provocar que se le metan objetos en los ojos, lo que puede provocar lesiones graves.

⚠️ ADVERTENCIA:

No permita que el hecho de estar familiarizado con el producto le haga prestar menos atención. Recuerde que un descuido de una fracción de segundo es suficiente para causar lesiones graves.

EQUIPO DE SEGURIDAD

Un casco para motocross aprobado por el DOT o por los estándares de Snell constituye la parte más importante de su equipo de seguridad porque puede ayudar a prevenir una lesión grave en la cabeza. Elija un casco que calce bien. Los vendedores minoristas pueden ayudarle a seleccionar un casco de buena calidad que calce correctamente.

Use siempre protección ocular cuando conduzca. Si una piedra o una rama le golpean los ojos, podrían producirle lesiones graves. Use gafas inastillables con la marca de cumplimiento de la norma Z87.1 del Instituto Americano de Normas Nacionales (ANSI).

ASENTAMIENTO

PRECAUCIÓN:

Siga detenida y correctamente los procedimientos de asentamiento. La inobservancia de los procedimientos de asentamiento reduce considerablemente la vida útil de su motocross causando desgaste excesivo y dañando el motor.

El primer mes es el más importante en la vida útil de su vehículo. Operar la unidad correctamente durante este período de asentamiento será útil para asegurar una vida útil y un rendimiento máximos de su nuevo motocross. Las siguientes pautas explican los procedimientos de asentamiento correctos.

Variar la velocidad de rotación del motor. Varíe la velocidad de rotación del motor durante el período de asentamiento. Esto permite que las piezas “se carguen” y, luego, “se descarguen” (lo que permite que las piezas se enfríen). Si bien es fundamental exigir en cierto grado los componentes del motor durante el período de asentamiento, debe tener cuidado de no cargar demasiado el motor.

Evite la velocidad de rotación baja o alta constante. Operar el motor a una velocidad de rotación baja constante (carga liviana) puede causar que las piezas se vitrifiquen y que no se sellen correctamente. Operar el motor a una velocidad de rotación alta constante puede causar calor excesivo, lo que puede dañar los



componentes internos. Permita que el motor acelere libremente sin exceder el límite de aceleración máximo.

Permitir que el lubricante del motor circule antes de conducir el vehículo. Permita que haya un tiempo suficiente de funcionamiento en ralentí después de arrancar el motor en caliente o en frío. Esto permite que el lubricante llegue a todos los componentes críticos del motor.

Observar y documentar el servicio inicial, que es el más importante. El servicio inicial (mantenimiento de asentamiento) es el servicio más importante que recibirá su vehículo. Observar una operación de asentamiento correcta ayudará a que los componentes del motor se sellen de manera adecuada. El mantenimiento que se requiere como parte del servicio inicial incluye realizar los ajustes correspondientes, apretar todos los pernos y las tuercas, y reemplazar el aceite sucio. Realizar este servicio oportunamente le ayudará a lograr la mejor vida útil del motor y su mejor rendimiento.

⚠️ ADVERTENCIA:

Inspeccione siempre su motocross según la lista de verificación de inspección previa a la conducción del vehículo antes de conducir el vehículo y asegúrese de que se encuentre en condiciones de operación seguras. No inspeccionar el motocross antes de operar el vehículo podría aumentar las posibilidades de que se produzca un accidente, lo que puede provocar lesiones personales graves.

OPERACIÓN

⚠ ADVERTENCIA:

Use siempre el tamaño y el tipo de neumáticos especificados en este manual del operador. Mantenga siempre la presión correcta de los neumáticos, como se describe en la sección Mantenimiento de este manual y en la unidad. Operar este motocross con los neumáticos incorrectos o con la presión de aire incorrecta de los neumáticos podría ser peligroso. Si usa los neumáticos incorrectos o la presión de aire incorrecta, puede perder el control del motocross y causar un accidente, lo que podría provocar lesiones personales graves.

QUÉ DEBE SABER ANTES DE CONDUCIR EL VEHÍCULO

Antes de conducir el vehículo, debe leer detenidamente toda la información siguiente y comprenderla, además de estar totalmente familiarizado con las *Reglas para una operación* segura que se encuentran en la portada de este manual. Si está preparado adecuadamente, tendrá un viaje más placentero.

Antes de conducir el vehículo, debe buscar un área plana y abierta con suficiente espacio, a fin de practicar las habilidades necesarias para operar este vehículo.

⚠ ADVERTENCIA:

El riesgo de que se produzca un accidente aumenta en gran medida si el operador no sabe cómo operar correctamente el motocross en diferentes situaciones y en diferentes tipos de terreno. Los operadores principiantes y sin experiencia deben llevar a cabo los cursos de capacitación certificados que ofrece la Fundación de Seguridad de Motocicletas (Motorcycle Safety Foundation) (www.msf-usa.org). Luego, deben practicar con regularidad las habilidades aprendidas en el curso y las técnicas de operación descritas en el manual del operador. La inobservancia de las técnicas de operación segura y correcta podría provocar lesiones personales graves.

Para obtener más información sobre seguridad de motocross, comuníquese con la Línea de ayuda de Baja sobre motocross, llamando al: 1-866-260-8630.

No opere el motocross en lugares cerrados donde haya poca ventilación o que no tengan ventilación. Aspirar gases de escape provenientes del motocross podría causar lesiones graves o muerte. Siempre ponga en funcionamiento su motocross al aire libre donde haya aire fresco.

Asegúrese de que esté permitido conducir el vehículo en el área que seleccionó, cumpla con todas las leyes y asegúrese de no transgredirlas. Llame a la policía si no sabe dónde puede conducir el vehículo.

Proteja sus áreas de conducción. Al conducir el vehículo, recuerde mantener el terreno en buenas condiciones. No destruya las plantas, los árboles ni otra vegetación. No arroje desperdicios ni altere la vida silvestre. Con su ayuda, el área de conducción para este tipo de vehículos puede permanecer abierta para su uso en el futuro.

Después de que haya encontrado un buen lugar para practicar, revise el sistema de controles de su motocross antes de conducir el vehículo. Aprenda a encontrar esos controles sin tener que buscarlos, porque no tendrá tiempo de hacerlo cuando esté conduciendo el vehículo.

NOTA: Obtenga, revise y obedezca todas las leyes, disposiciones y reglamentaciones relacionadas con la tenencia y la operación de un vehículo todoterreno.

⚠ ADVERTENCIA:

Nunca conduzca su motocross sobre un lago o un río congelados. Si la superficie de hielo se rompe, podrían producirse lesiones graves o la muerte.

ABASTECIMIENTO/REABASTECIMIENTO DE COMBUSTIBLE DEL MOTOCROSS

⚠ ADVERTENCIA:

La gasolina y sus vapores son extremadamente inflamables y explosivos. Para evitar lesiones personales graves y daños a los bienes, manipule con cuidado la gasolina. Manténgala lejos de fuentes de ignición y llamas abiertas, manipúlela solamente al aire libre, no fume, y limpie de inmediato cualquier derrame.

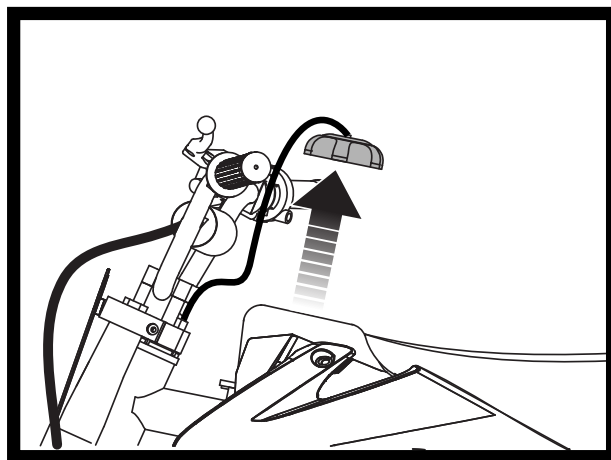
⚠ ADVERTENCIA:

Reabastecer combustible al motocross de manera incorrecta podría ser peligroso. El incumplimiento de las precauciones de seguridad al reabastecer combustible podría provocar un incendio o una explosión, o que usted aspire vapores tóxicos, lo que causaría lesiones personales graves.

⚠ ADVERTENCIA:

Apague siempre el motor antes de reabastecer combustible. Nunca agregue combustible a un motocross con el motor en funcionamiento o con el motor caliente. No fume ni permita la presencia de llamas ni chispas a los alrededores mientras se reabastece combustible a la unidad. Trabaje siempre en un área bien ventilada. Aléjese, al menos, 9,1 m (30 pies) del sitio de reabastecimiento antes de arrancar el motor. El manejo incorrecto del combustible podría provocar lesiones personales graves.

- Limpie la superficie que rodea la tapa de combustible para evitar la contaminación.
- Gire lentamente la tapa del tanque de combustible hacia la izquierda y retírela.



OPERACIÓN

ADVERTENCIA:

Si al aflojar la tapa del tanque de combustible se escucha un sonido, como de silbido, lleve a inspeccionar y reparar el vehículo antes de continuar operándolo. La inobservancia de esta advertencia podría causar que el combustible se recaliente, lo que puede provocar un incendio o una explosión que, a su vez, causaría lesiones personales graves.

- Vierta cuidadosamente el combustible en el tanque hasta que el nivel alcance aproximadamente 50,8 mm (2 in) debajo de la parte superior de la abertura del tanque de combustible. Evite los derrames.
- Vuelva a colocar la tapa del tanque de combustible y gírela hacia la derecha para asegurarla.
- Si esto viniera suelto durante el reabastecimiento de combustible, vuelva a colocar el tubo de ventilación en la tapa del tanque de combustible. Asegúrese de que el otro extremo del tubo siga instalado en el manubrio.

ADVERTENCIA:

Verifique que no haya fugas de combustible. Una tapa de combustible con fugas constituye un peligro de incendio y debe ser reemplazada inmediatamente con una tapa de repuesto del fabricante original. Si encuentra alguna fuga, corrija el problema antes de usar el producto. La inobservancia de esta advertencia podría provocar un incendio que podría causar lesiones personales graves.

ADVERTENCIA:

Llenar excesivamente el tanque de combustible podría ser peligroso. Si llena excesivamente el tanque de combustible, el combustible puede desbordarse al expandirse debido al calor proveniente del motor o del sol. El combustible derramado podría prenderse fuego o explotar, lo que puede provocar lesiones personales graves.

ADVERTENCIA:

No llevar a cabo la inspección previa a la conducción del vehículo ni verificar el rendimiento correcto del motocross antes de conducirlo pueden provocar lesiones personales graves.

INSPECCIÓN PREVIA

ELEMENTO QUE DEBE VERIFICAR	EL ELEMENTO DEBE FUNCIONAR DE LA SIGUIENTE MANERA:
Dirección	Suavidad, sin restricción de movimientos, sin holgadura ni tampoco debe estar floja.
Frenos	Holgadura correcta de la palanca de frenos; suficiente fuerza de frenado; efectividad del freno de estacionamiento.
Neumáticos	Presión de aire correcta; suficiente espesor de la banda de rodamiento; sin grietas, rasgones ni otros daños.
Combustible	Suficiente combustible para el viaje previsto.

Tapa del tanque de combustible	Manguera de ventilación de combustible instalada correctamente; sin daños en el tanque de combustible ni en su tapa; tapa del tanque de combustible cerrada firmemente.
Interruptor de apagado del motor	Funcionamiento correcto del interruptor. Arranque el motor; luego, presione el interruptor de apagado. El motor debe apagarse.
Lubricante del motor	Nivel correcto; verificar el lubricante inspeccionando la varilla de nivel de aceite del motor. El lubricante del motor debe estar entre las líneas de mínimo y máximo.
Acelerador	Holgadura correcta de la palanca del acelerador; respuesta sin problemas; regreso rápido a la posición de funcionamiento en ralentí.
Condición general	Los pernos y las tuercas están bien apretados; ninguna de las piezas del motor hacen ruido cuando el motor está en funcionamiento; no hay evidencias visibles de daños, incluidos los soportes del bastidor.

ARRANQUE DEL MOTOR

- Si la unidad está equipada con una llave de encendido, introduzca la llave en el orificio de encendido y gírela a la posición ON (encendido).
- Asegúrese de que la transmisión esté en punto muerto.
- Coloque el interruptor del motor en la posición ON (encendido).
- Gire la válvula de combustible a la posición ON (encendido).
- Coloque la palanca del anegador en la posición ON (encendido).
- Arranque el motor usando el Interruptor de encendido (en caso de que se incluya) o el pedal de arranque.
- Deje que se caliente el motor y, luego, coloque la palanca del anegador en la posición OFF (apagado).

ADVERTENCIA:

Cuando quiera acelerar, hágalo siempre gradualmente. Acelerar repentinamente podría causar que las ruedas delanteras se desprendan del suelo y que pierda el control del motocross, lo que causaría lesiones personales graves.

ADVERTENCIA:

Mantenga siempre las dos manos en las barras del manubrio y los dos pies en los apoyapiés de su motocross durante la operación. Incluso levantar una mano o un pie puede reducir su capacidad de controlar el motocross o podría causar que pierda su estabilidad y se caiga del motocross. Si levanta un pie del apoyapiés, puede tener contacto con el motocross, el suelo, obstáculos, etc., lo que podría causar un accidente y provocar lesiones personales graves.

OPERACIÓN

APAGADO DEL MOTOR

- Gire la empuñadura del acelerador hacia adelante (lejos de usted) para reducir la velocidad del motor.
- Coloque el interruptor del motor en la posición OFF (apagado).
- Gire la válvula de combustible a la posición OFF (apagado).
- Si la unidad está equipada con una llave de encendido, gire la llave a la posición OFF (apagado) y, luego, retire la llave del interruptor.

ADVERTENCIA:

Las siguientes instrucciones son para uso general en condiciones de operación estándares. La información incluida en el manual de instrucciones de la Motorcycle Safety Foundation (MSF) que viene con el vehículo prevalece sobre esta información. Además, todos los conductores deben realizar un curso acreditado.

FRENADO

Esta motocross está equipada con un freno de disco hidráulico delantero que se opera con la mano y con un freno de disco trasero que se opera con el pie. Accione los frenos de manera progresiva para evitar el bloqueo de las ruedas. Como regla general, trate de frenar un 70% usando la palanca de freno. Al usar tanto el freno delantero como el freno trasero, logrará un frenado más rápido, más estable y más efectivo.

Para reducir la velocidad o detener la motocross, accione los frenos delantero y trasero mientras baja de marcha. Aumente el frenado lentamente, a medida que sienta que se reduce la velocidad. A fin de evitar el calado, tire de la palanca del embrague hacia adentro antes de detenerse por completo.

Si acciona los frenos demasiado abruptamente, puede bloquear las ruedas, deslizarse y perder el control de la motocross. Si esto sucediera, suelte los frenos y conduzca en línea recta hasta haber recuperado el control por completo.

Nunca conduzca con el pie apoyado en el pedal de freno ni con la mano sobre la palanca de freno. Esto podría causar que los frenos se recalienten e indicar un frenado falso a los demás conductores.

CAMBIO DE MARCHAS

Esta motocross tiene una transmisión de 4 velocidades con un embrague centrífugo automático.

Para cambiar la marcha del vehículo a punto muerto cuando está conduciendo, oprima repetidas veces la pedal de cambio de marchas

Para cambiar la marcha del vehículo entre las marchas 1 a 4:

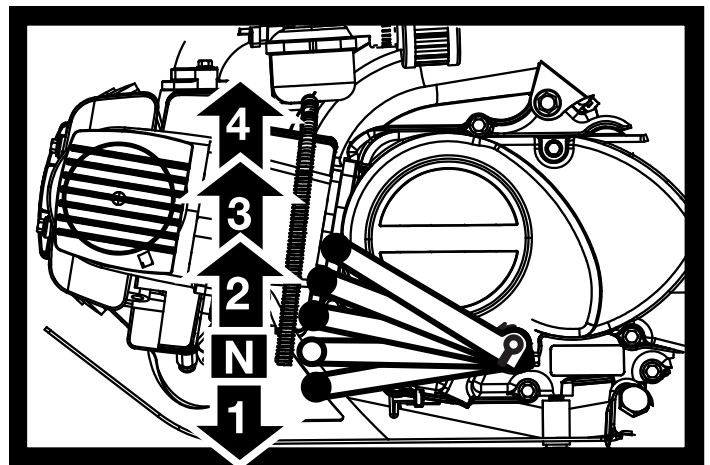
- Reduzca la velocidad.

NOTA: Nunca aumente la velocidad mientras realiza un cambio de marchas.

- Cambie a primera marcha oprima el pedal de cambio de marchas.
- Acelere gradualmente. Una vez que el vehículo haya alcanzado la velocidad adecuada, suelte el acelerador y levante el pedal de cambio de marchas y cambie a la segunda marcha.
- Acelere gradualmente y, luego, repita el procedimiento para los cambios restantes.
- Al reducir la velocidad o al detenerse, reduzca la velocidad y accione los frenos suavemente. A medida que la motocross reduce la velocidad, cambie a una marcha más baja oprima el pedal de cambio de marchas.

Consejos para cambiar marchas:

- Evite el funcionamiento innecesario en ralentí del motor a altas velocidades. Permitir que la motocross funcione en ralentí a altas velocidades durante períodos prolongados podría causar daños graves al motor.
- Solo cambie a marchas de velocidad baja cuando se sienta seguro de que no haya potencia suficiente para subir colinas o continuar avanzando.
- No use solo el freno delantero ni se traslade con la marcha en posición de punto muerto, especialmente cuando desciende una colina o conduce a alta velocidad.
- Disminuya la velocidad al frenar.



MANTENIMIENTO

INSPECCIÓN Y PROGRAMA DE MANTENIMIENTO

Es muy importante inspeccionar y dar mantenimiento a su motocross con regularidad. Siga las pautas del siguiente cuadro. Se muestran los intervalos en meses entre servicios periódicos. Al final de cada intervalo, asegúrese de realizar y documentar el mantenimiento que se enumera.

Toda persona debidamente capacitada y calificada puede realizar el mantenimiento del dispositivo y del sistema de control de emisiones de su unidad marca Baja. Únicamente un centro de servicio autorizado de Baja puede ofrecer la garantía limitada de su dispositivo y sistema de control de emisiones.

ADVERTENCIA:

No realizar el mantenimiento recomendado o realizarlo incorrectamente puede originar un accidente y causar lesiones personales graves, causar el incumplimiento de las reglamentaciones sobre emisiones y puede anular su garantía. Si no está seguro sobre cómo realizar el mantenimiento de los siguientes elementos, comuníquese con su centro de servicio autorizado de Baja o con Baja Motorsports.

Elemento	Primer mes o 20 horas	Primer 3 meses o 50 horas	Cada 3 meses o 50 horas	Cada 6 meses o 100 horas
Válvulas*	I			I
Bujía		C	C	
Distancia a la válvula — Inspeccione, ajuste				I
Filtro de aire	I Cada 20-40 horas (más frecuente en áreas polvorientas)			
Carburador*		I		I
Sistema de escape*				I
Parachispa				I
Manguera de combustible		I		I
Lubricante de motor	R			R
Frenos	I	I	I	
Tensión de la cadena	I	I	I	I
Ruedas	I			I
Cojinetes de las ruedas	I			I
Suspensión delantera y trasera				I
Sistema de dirección	I	I	I	
Lubricación del eje de la dirección [Use grasa a base de litio (Li)]*				L
Pernos, tuercas, sujetadores	T	T	T	

* — Esta tarea de mantenimiento debe realizarse en un centro de servicio. También puede realizarlo el usuario consultando este manual siempre que se utilicen herramientas especiales y piezas de repuesto autorizadas. El usuario también debe poder completar el procedimiento.

I = Inspeccione y limpie, ajuste, lubrique o reemplace, según sea necesario

C = Limpiar R = Reemplazar A = ajuste L = Lubricar T = Apriete

PRECAUCIÓN:

Si opera su motocross en condiciones exigentes, requerirá un mantenimiento más frecuente que el que se muestra en el cuadro anterior. Las condiciones exigentes incluyen operar el vehículo a toda marcha con frecuencia o en áreas polvorientas, mojadas, arenosas o con lodo. Si tiene preguntas respecto a los intervalos correctos de mantenimiento para su motocross, comuníquese con su centro de servicio autorizado de Baja o con Baja Motorsports.

MANTENIMIENTO

⚠ ADVERTENCIA:

Antes de inspeccionar, limpiar o dar servicio al motocross, apague el motor, espere a que todas las piezas en movimiento se detengan, asegúrese de que el interruptor del motor esté en posición OFF (apagado) y desconecte el cable de bujía. Conecte a tierra correctamente el cable de la bujía o aléjelo completamente de la abertura de la bujía. La inobservancia de estas instrucciones puede provocar lesiones personales graves o daños a los bienes.

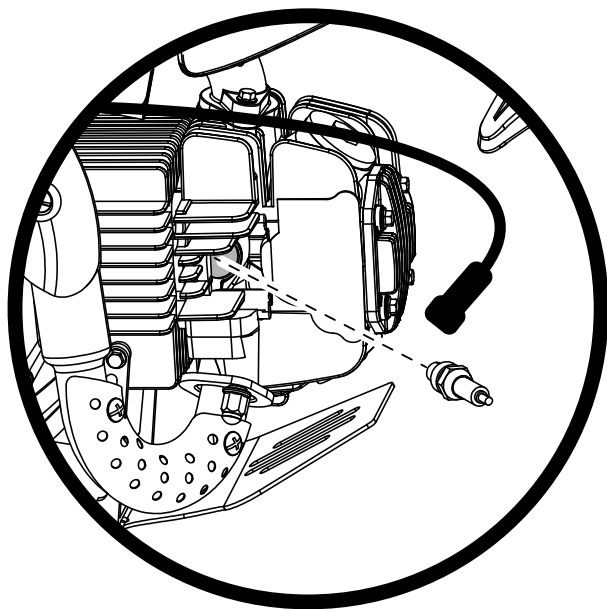
BUJÍA

Su motocross está equipado con una bujía Torch A7TC. Para determinar si la bujía estándar está en buenas condiciones, verifique el color del aislante del electrodo central de la bujía después de la operación del vehículo. El color marrón indica que la bujía está bien. Un aislante blanco u oscuro indica que el motor puede necesitar un ajuste u otro tipo de bujía. Consulte con su distribuidor autorizado o con Baja Motorsports en caso de que su aislante de la bujía no esté de color marrón claro.

NOTA: Este motocross usa una bujía tipo resistor para evitar el bloqueo de las piezas electrónicas. La elección incorrecta de una bujía puede causar interferencia electrónica con el sistema de encendido de su motocross, lo que puede provocar problemas en el rendimiento del vehículo. También podría tener un ajuste incorrecto o un rango de calor incorrecto para su motor, lo que podría causar daños graves al motor y anular la garantía. Use únicamente las bujías recomendadas: Torch A7TC o un producto equivalente.

Para instalar una bujía, introdúzquela y gírela con los dedos tanto como sea posible; luego, apriétela con una llave, aproximadamente, 1/2 vuelta más de lo que ajustó manualmente (si la bujía es nueva) o 1/4 vuelta más de lo que ajustó manualmente (si está volviendo a colocar la vieja bujía). Tenga cuidado de enroscar la bujía correctamente para no dañar las roscas de aluminio de la culata.

Para que la bujía funcione correctamente, cuide que no se acumule carbono. Retire el carbono de la bujía con un alambre o un pasador y ajuste la luz a 0,7-0,8 mm (0,028-0,031 pulg.) para un buen encendido. Use un medidor de espesor para verificar la luz.



PRECAUCIÓN:

Mantenga cubierto el orificio de la bujía mientras la bujía no esté en su lugar, de modo que no ingrese suciedad en el orificio abierto. La suciedad que ingresa por el orificio de la bujía al cilindro puede dañar las piezas móviles del motor.

CÓMO CAMBIAR/AGREGAR LUBRICANTE DEL MOTOR

El lubricante del motor influye en gran medida en el rendimiento y en la vida útil del motor. El nivel del lubricante del motor debe revisarse antes de cada uso del motocross.

Para lograr el mejor rendimiento del motor, cambie el lubricante cada 20 a 40 horas de operación. En áreas sucias y polvorosas, el lubricante debe cambiarse con más frecuencia.

Consulte el siguiente cuadro para conocer cuál es el lubricante de motor correcto que se debe usar en función del rango de temperatura en su área.

NOTA: En temperaturas muy bajas [por debajo de los 15 °C (5 °F)], use lubricante 10W-50 según las especificaciones de la Sociedad de Ingenieros Automotores (Society of Automotive Engineers, SAE) para asegurar un buen arranque y una operación sin problemas.

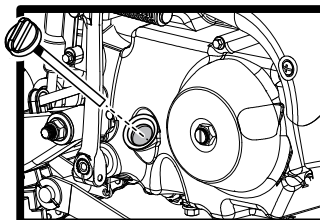
LUBRICANTE DE MOTOR	TEMP.								
	°C	-30	-20	-10	0	10	20	30	40
		SAE 10W-30							
		SAE 20W-40							
		SAE 10W-50							
		SAE 15W-40							
	°F	-22	-4	14	32	50	68	86	104

Use siempre un lubricante de motor de 4 tiempos que cumpla o supere los requisitos de la clasificación de servicio SJ del Instituto Americano del Petróleo (American Petroleum Institute, API). Verifique el nivel de lubricante antes de cada uso.

NOTA: Los lubricantes no detergentes o los lubricantes de motor de 2 tiempos dañan el motor y, por eso, no deben utilizarse.

Para verificar el nivel del lubricante:

- Estacione el vehículo en una superficie nivelada y más bajo la pedestal lateral.
- Desenrosque la tapa de aceite/la varilla de nivel y retírela.
- Limpie la varilla de nivel y vuelva a colocarla en el orificio, pero no vuelva a enroscarla.
- Retire la varilla de nivel e inspeccione el nivel del lubricante. El nivel debe estar entre las marcas de mínimo y de máximo de la varilla de nivel.
- Si el lubricante está por debajo de la marca de mínimo de la varilla de nivel, agregue lubricante hasta que el nivel quede entre las marcas de mínimo y de máximo de la varilla de nivel.

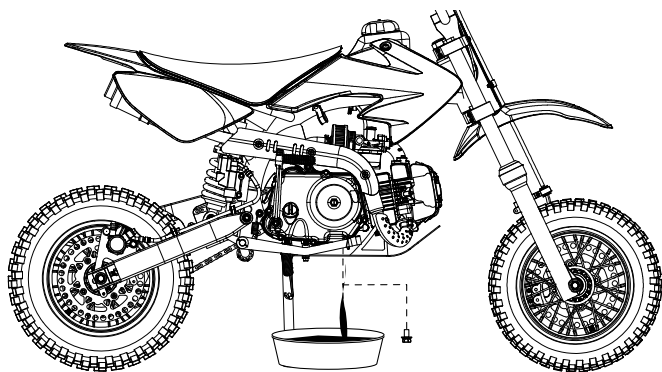


MANTENIMIENTO

Para cambiar el lubricante del motor:

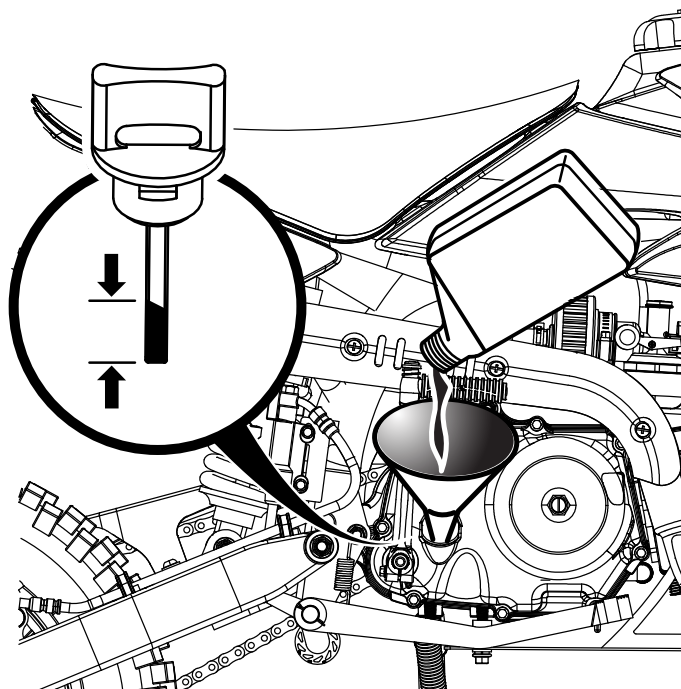
El lubricante debe cambiarse mientras el lubricante del motor aún está tibio, pero no caliente. Esto permite que el lubricante drene rápida y completamente.

- Estacione el vehículo en una superficie nivelada y más bajo la pedestal lateral.
- Retire la tapa de aceite/varilla de nivel.
- Coloque un recipiente debajo del perno de drenaje de aceite para recolectar el lubricante usado a medida que drene.
- Desatornille el perno de drenaje de aceite y retire el perno y el arandela.
- Deje que el aceite drene completamente.



- Vuelva a instalar el perno de drenaje de aceite. Apriete el perno de drenaje de aceite a un par de torsión de 24 Nm (18 pies libra).
- Heñe carter con 0,90 cuarto (0,85 l) de lubricante SAE 15W40.

NOTA: El lubricante usado debe desecharse en un lugar de desecho aprobado. Consulte a su vendedor minorista de aceite local para obtener más información.



VERIFICACIÓN/LIMPIEZA DEL FILTRO DE AIRE

El elemento del filtro de aire debe mantenerse limpio para asegurar una buena potencia del motor. Si utiliza su vehículo en condiciones normales y de baja tensión, debe brindar servicio al filtro de aire en los intervalos especificados. Si conduce en áreas polvorientas, mojadas o con lodo, tendrá que inspeccionar el elemento del filtro de aire con mucha más frecuencia.

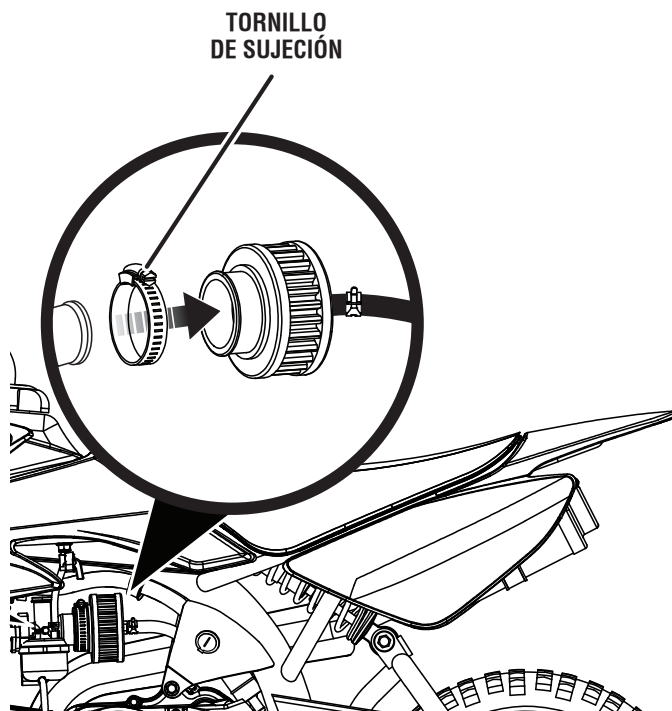
PRECAUCIÓN:

Siempre verifique el elemento del filtro de aire después de conducir en condiciones exigentes y límpielo o reemplácelo, según sea necesario. Operar el motocross con un filtro de aire obstruido puede causar daños en el motor.

Cómo retirar y limpiar el filtro de aire:

- Afloje el tornillo de sujeción para permitir que se retire el filtro de aire.
- Retire el elemento del filtro de aire.
- Inspeccione el filtro para ver si está sucio o tiene desgarros.
- Golpee el filtro ligeramente para limpiarlo. Si es necesario, el filtro también puede limpiarse con aire comprimido.
- Reemplace el elemento del filtro de aire y apriete el tornillo de sujeción. Asegúrese de que el elemento esté bien colocado en su posición y que esté correctamente sellado.

NOTA: No ponga en funcionamiento el motor sin que los elementos del filtro de aire se encuentren en su lugar. Esto ocasiona el desgaste rápido del motor.



MANTENIMIENTO

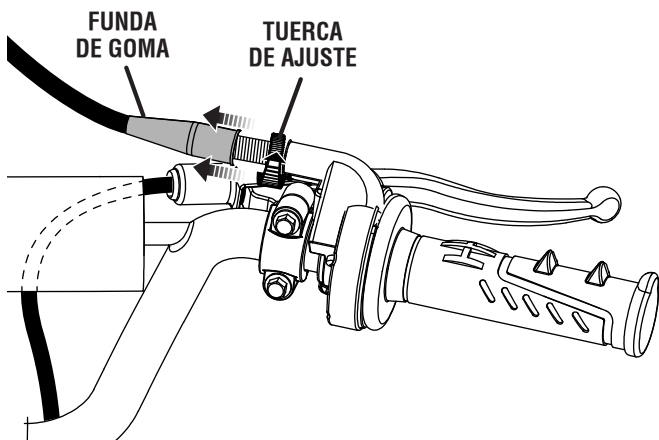
AJUSTE DE LA EMPUÑADURA DEL ACELERADOR

Una distancia libre insuficiente de la empuñadura del acelerador podría causar que la velocidad del motor aumente repentinamente cuando usted gira las barras del manubrio. La distancia correcta de holgura libre del acelerador es entre 2 mm (0,078 pulg.) y 6 mm (0,24 pulg.). Si hay un movimiento mayor o menor, ajuste la empuñadura del acelerador de la siguiente manera:

- Tire hacia atrás la funda de goma para tener acceso a la tuerca de ajuste.
- Gire la tuerca de ajuste hacia adentro o hacia afuera para obtener la holgura correcta.
- Vuelva a verificar la distancia libre de la empuñadura del acelerador. Reajústela si todavía no se encuentra dentro de los límites correctos.

⚠ ADVERTENCIA:

No opere el motocross si la distancia de holgura libre de la empuñadura del acelerador es menor de 2 mm (0,078 pulg.) o mayor de 6 mm (0,24 pulg.). Operar el vehículo con una cantidad incorrecta de holgura libre de la palanca del acelerador podría causar que el conductor pierda el control, lo que puede provocar lesiones personales graves.



AJUSTE DE LA VELOCIDAD DE RALENTÍ

Puede producirse un desgaste excesivo del motor cuando la velocidad de ralentí es incorrecta. Una velocidad de ralentí demasiado alta también podría causar que el motocross se sacuda hacia adelante cuando usted arranca el motor.

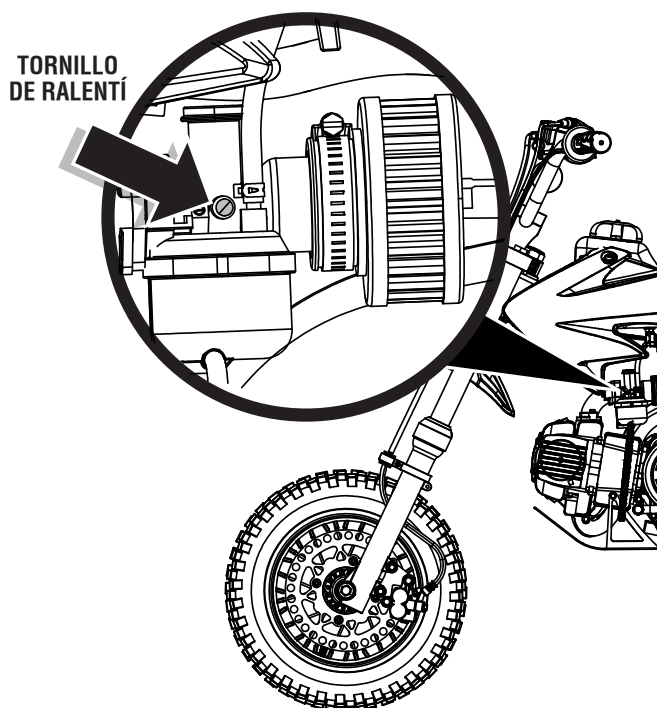
NOTA: Debe contar con un tacómetro para ajustar la velocidad de ralentí. Si no tiene uno, haga que un centro de servicio autorizado lleve a cabo este servicio.

Para ajustar la velocidad de ralentí:

- Arranque el motor y deje que se caliente.
- Gire el tornillo de ralentí del motor hacia adentro o hacia afuera hasta que la velocidad de ralentí del motor indique entre 1 350 y 1 650 r/min (RPM) en el tacómetro.

PRECAUCIÓN:

Asegúrese de que el motor esté totalmente caliente antes de ajustar la velocidad de ralentí. Ajustar la velocidad de ralentí antes de que el motor esté caliente puede provocar un desgaste excesivo del motor.



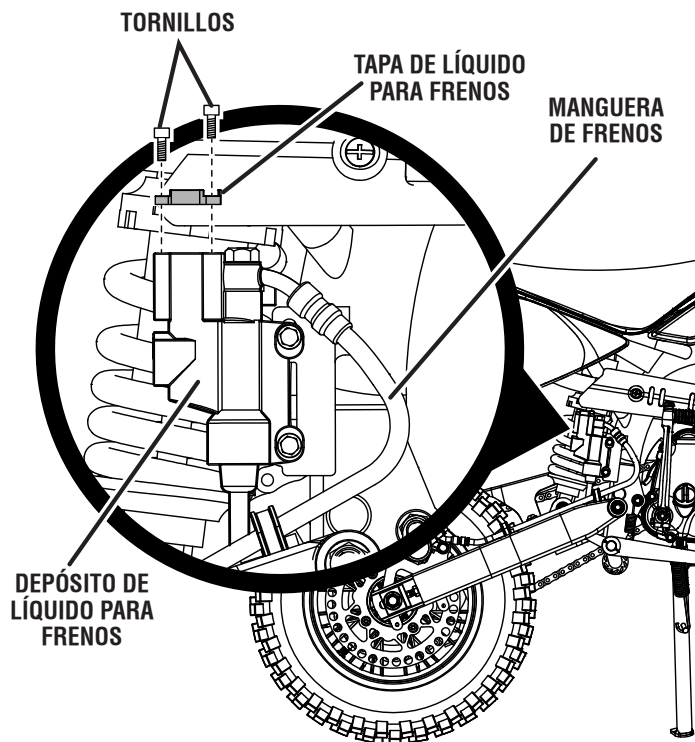
MANTENIMIENTO

INSPECCIÓN DE LOS FRENOS DE DISCO HIDRÁULICOS

- Inspeccione el calibre del freno y el depósito de líquido para frenos para ver si hay fugas. Si hay fugas de líquido para frenos, la seguridad de la conducción podría verse afectada.
- Inspeccione la manguera de frenos en busca de grietas y la junta en busca de fugas.
- Verifique el nivel del líquido para frenos en el depósito de líquido para frenos. Si el nivel se encuentra en la marca LOWER (BAJO) o por debajo de esta marca, inspeccione los patines de frenos en busca de desgaste y el sistema hidráulico en busca de fugas.
- Desatornille los 2 tornillos que se encuentran en la parte superior del depósito de líquido para frenos y agregue líquido, según sea necesario.

⚠ ADVERTENCIA:

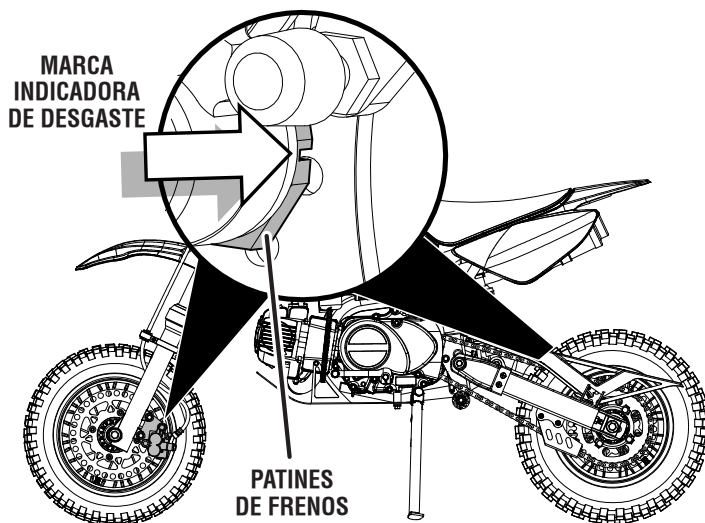
Agregue únicamente líquido para frenos DOT3 o DOT4 proveniente de un envase sellado. No mezcle diferentes tipos de líquido para frenos. La inobservancia de esta advertencia podría causar que los frenos fallen, lo que puede provocar lesiones personales graves.



VERIFICACIÓN DEL DESGASTE DE LOS PATINES DE FRENOS

El desgaste de los patines de frenos difiere en función de la frecuencia con la que use los frenos, del tipo de conducción y de las condiciones de la carretera. Normalmente, los patines de frenos suelen desgastarse más rápidamente en carreteras mojadas y sucias. Asegúrese de verificar que no haya desgaste en los patines en cada intervalo de mantenimiento.

Puede inspeccionar el desgaste de los patines usando la marca indicadora de desgaste. Si los patines están desgastados, haga que los reemplacen inmediatamente en un centro de servicio autorizado.



MANTENIMIENTO

INSPECCIÓN DE LA CADENA DE TRANSMISIÓN/RUEDAS DENTADAS

Se deben revisar la condición y el ajuste de la cadena de transmisión antes de conducir el vehículo. Siempre siga las pautas que se enumeran a continuación antes de inspeccionar y dar servicio a la cadena.

⚠ ADVERTENCIA:

Siempre inspeccione la cadena de transmisión antes de conducir el motocross. No mantener la cadena de transmisión en forma adecuada y/o conducir con la cadena en malas condiciones podría originar un accidente y causar lesiones personales graves.

Inspección de la cadena de transmisión:

Al inspeccionar la cadena de transmisión, busque lo siguiente:

- Pasadores sueltos.
- Rodillos dañados.
- Eslabones secos u oxidados.
- Eslabones retorcidos o atorados.
- Desgaste excesivo.

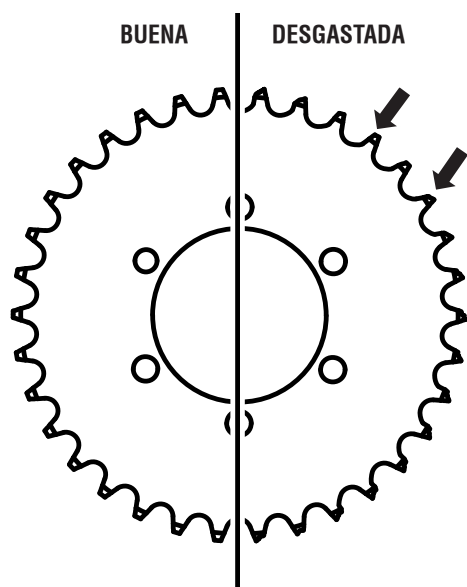
Si detecta algún problema en la cadena de transmisión, resuélvalo reparando o reemplazando la cadena. Si es necesario, consulte a su centro de servicio local autorizado.

Inspección de las ruedas dentadas:

Una cadena desgastada puede tener un efecto adverso en las ruedas dentadas. Por lo tanto, cada vez que detecte algún daño en la cadena de transmisión, también debe revisar las ruedas dentadas delanteras y traseras. Al inspeccionar las ruedas dentadas, busque lo siguiente:

- Dientes excesivamente desgastados
- Dientes rotos o dañados
- Tuercas de montaje sueltas de las ruedas dentadas

Si detecta algún problema en las ruedas dentadas, consulte a su centro de servicio local autorizado.



LIMPIEZA DE LA CADENA DE TRANSMISIÓN

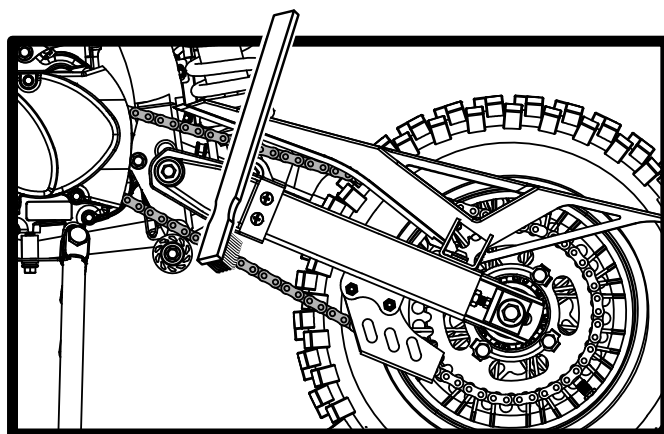
La cadena de transmisión debe limpiarse, lubricarse e inspeccionarse cada vez que conduzca el motocross.

⚠ ADVERTENCIA:

Siempre inspeccione la tensión de la cadena de transmisión antes de que conduzca el motocross. Demasiada holgura podría hacer que la cadena de transmisión se desprenda de las ruedas dentadas, lo que podría causar un accidente y provocar lesiones personales graves o producir daños graves en el motocross.

Limpieza de la cadena de transmisión:

- Lave la cadena de transmisión con un limpiador de cadena aprobado.
- Seque la cadena y, luego, aplique lubricante para cadenas o un producto equivalente.



MANTENIMIENTO

MANTENIMIENTO DE LOS NEUMÁTICOS

Este motocross está equipado con neumáticos de baja presión del tamaño y del tipo que se indican a continuación:

	Delanteros	Traseros
Tamaño	2,75-12	3,0-10

Presión de aire de los neumáticos

Antes de conducir el vehículo, verifique la presión de aire de todos los neumáticos. Una presión de aire incorrecta afecta la maniobrabilidad, la respuesta de la dirección, la tracción, la vida útil del neumático y la comodidad del conductor. Asegúrese de que todos los neumáticos estén inflados, según las presiones que se indican a continuación.

NOTA: La presión de los neumáticos solo debe medirse o ajustarse cuando los neumáticos estén fríos.

Presión recomendada
15-18 psi (103- 124 kPa)

ADVERTENCIA:

Verifique detenidamente la presión de los neumáticos mientras los infla. Demasiado aire en un neumático podría causar que este explote, lo que causaría lesiones personales graves.

ADVERTENCIA:

Mantener la presión de aire correcta en los neumáticos es muy importante. Demasiado poca presión podría hacer que el neumático gire y se salga de la llanta de la rueda. Demasiada presión podría causar que el neumático explote. No mantener la presión de aire correcta en los neumáticos podría causar problemas en la operación y en la estabilidad del vehículo, lo que causaría lesiones personales graves.

REPARACIÓN DE NEUMÁTICOS

En caso de que un neumático tenga una fuga o esté desinflado debido a un pinchazo, se necesitarán reemplazar el neumático y el tubo.

CAMBIO DE NEUMÁTICOS

Cuando los neumáticos están desgastados, la tracción del vehículo disminuye, lo que aumenta las posibilidades de tener un accidente. Los neumáticos deben cambiarse cuando el espesor de la banda de rodamiento es de 4 mm (0,16 pulg.) o menos. Use siempre neumáticos de repuesto idénticos. Usar neumáticos incorrectos en la unidad podría causar una pérdida de control, lo que podría aumentar su riesgo de tener un accidente.

Haga que un centro de servicio autorizado o una estación de reparación de neumáticos calificada reemplacen los neumáticos.

LIMPIEZA

Una limpieza minuciosa del motocross es una parte necesaria del mantenimiento. Ayudará a mantener un aspecto y un rendimiento óptimos del motocross. Una limpieza adecuada también puede prolongar la vida útil del motocross.

Limpie e inspeccione el motocross después de cada viaje, especialmente, si lo utiliza en áreas con lodo, arbustos, pasto, agua, agua salada o en áreas muy polvorientas. La acumulación de lodo, arbustos, pasto, etc., especialmente en el motor y en el sistema de escape, puede reducir la capacidad de enfriado del motor, ocultar daños o aumentar el desgaste de determinadas piezas. Retire todos los desechos durante la limpieza.

El motocross debe lavarse antes de que el lodo se seque sobre la unidad. Evite salpicar con agua el interruptor de encendido, la bujía, la tapa del tanque de combustible, el carburador, cadena de transmisión o el filtro de aire y no permita que el agua ingrese en estas piezas.

NOTA: No use lavadoras de alta presión, como las que se encuentran en los lavaderos de autos, ya que podrían causar daños mecánicos, eléctricos y otros tipos de daños.

- Lave la unidad a mano con un jabón o detergente suave y agua. Trate de remover completamente toda la suciedad y los desechos sin aplicar excesiva presión de agua, incluso en las áreas de difícil acceso, como entre las aletas de refrigeración del motor, las uniones o los soportes de montaje. Puede usar trapos de tela, guantes para lavado de automóviles o cepillos de limpieza, pero tenga cuidado con los cepillos, ya que pueden rayar las superficies pintadas o de plástico.
- Enjuague bien la unidad con agua limpia.
- Seque todas las áreas usando una gamuza o un paño suave absorbente o deje secar la unidad al aire libre.
- Lubrique la cadena y ponga a funcionar el motor a velocidad de ralentí durante algunos minutos.
- Siga los procedimientos incluidos en la sección **Inspección previa a la conducción del vehículo** para detectar en la unidad cualquier problema que pueda haberse producido durante su último viaje.
- Después de lavar su motocross, pruebe los frenos conduciendo a baja velocidad. Si es necesario, accione los frenos varias veces para permitir que la fricción seque los forros del freno. Es posible que los frenos mojados no proporcionen tanto poder de frenado como los frenos secos.

ADVERTENCIA:

Operar el motocross a altas velocidades cuando los frenos están mojados podría provocar lesiones personales graves.

MANTENIMIENTO

CÓMO GUARDAR EL MOTOCROSS

Si no usa el motocross durante un tiempo prolongado, deberá realizar un servicio especial que requiere materiales, equipos y habilidades adecuados. Por este motivo, le recomendamos que confíe este trabajo de mantenimiento a un centro de servicio autorizado. Si desea realizar usted mismo el servicio de la máquina para guardarla, siga las pautas generales.

LUBRICANTE DE MOTOR:

- Cambie el lubricante de motor.

COMBUSTIBLE:

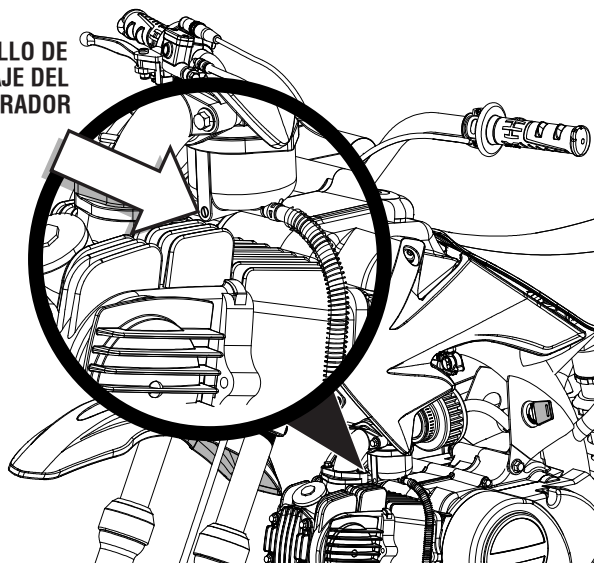
- Usando una bomba manual, drene el combustible del tanque de combustible en un recipiente aprobado para gasolina.
- Afloje el tornillo de drenaje del carburador para drenar el combustible del carburador en un recipiente aprobado para gasolina.

NOTA: El combustible utilizado debe desecharse correctamente en un lugar de desecho aprobado para cumplir con las leyes y ordenanzas locales, y no debe tener un efecto adverso en el medioambiente.

⚠ ADVERTENCIA:

La gasolina y sus vapores son extremadamente inflamables y explosivos. Para evitar lesiones personales graves y daños a los bienes, manipule con cuidado la gasolina. Manténgala lejos de fuentes de ignición y llamas abiertas, manipúlela solamente al aire libre, no fume, y limpie de inmediato cualquier derrame.

TORNILLO DE DRENAJE DEL CARBURADOR



BUJÍA:

- Quite la bujía.
- Vierta aproximadamente 15-20 ml (0,5-0,68 oz) de lubricante de motor limpio en el cilindro.
- Pise el pedal de arranque varias veces para distribuir el aceite a través del motor.

NOTA: Asegúrese de que el interruptor de encendido esté en la posición OFF (apagado) antes de pisar el pedal de arranque.

- Vuelva a colocar la bujía.

NEUMÁTICOS:

- Infle los neumáticos a la presión normal.

NOTA: La presión de los neumáticos solo debe medirse o ajustarse cuando los neumáticos estén fríos.

Presión recomendada
15-18 psi (103-124 kPa)

⚠ ADVERTENCIA:

Verifique detenidamente la presión de los neumáticos mientras los infla. Demasiado aire en un neumático podría causar que este explote, lo que causaría lesiones personales graves.

⚠ ADVERTENCIA:

Mantener la presión de aire correcta en los neumáticos es muy importante. Demasiado poca presión podría hacer que el neumático gire y se salga de la llanta de la rueda. Demasiada presión podría causar que el neumático explote. No mantener la presión de aire correcta en los neumáticos podría causar problemas en la operación y en la estabilidad del vehículo, lo que causaría lesiones personales graves.

VEHÍCULO:

- Coloque el vehículo en un suelo nivelado.
- Lave el vehículo.
- Rocíe todas las piezas de vinilo y de caucho con un producto de protección para caucho.
- Rocíe las superficies que no estén pintadas con un producto para prevenir el óxido.
- Cubra las superficies pintadas con cera para automóviles.
- Guarde la motocross en posición elevada en bloques de madera sin que las dos ruedas toquen el suelo. Coloque el vehículo en un lugar con sombra y fresco, lejos de la humedad y de la luz solar directa. Cúbralo correctamente (no con materiales de plástico ni pintados). Si es posible, guárdelo en un garage.

PROCEDIMIENTO PARA DEVOLVER EL VEHÍCULO PARA EL SERVICIO:

- Cambie el lubricante de motor si la unidad no se utilizó durante más de 4 meses.
- Limpie todo el vehículo.
- Asegúrese de que el vehículo esté correctamente lubricado.
- Realice la **Inspección previa a la conducción del vehículo**, como se indicó previamente.

CORRECCIÓN DE PROBLEMAS

Se suministra esta guía de corrección de problemas para ayudarle a encontrar la causa de algunas reclamaciones frecuentes. Si estas soluciones no resuelven el problema, comuníquese con su distribuidor de servicio autorizado.

RECLAMACIÓN: Cuesta arrancar el motor o el motor no arranca en absoluto.

1. Verifique que la válvula de combustible esté en la posición ON (encendido).
2. Verifique que la palanca del anegador esté en la posición ON (encendido).
3. Asegúrese de que el tanque de combustible tenga suficiente combustible.
4. Drene el combustible del tanque y del carburador. Vuelva a llenar la unidad con gasolina fresca.
5. Retire e inspeccione la bujía. Limpie, seque, separe o reemplace según sea necesario.
6. Lleve la motocross a un mecánico calificado para que reemplace o repare los componentes defectuosos según sea necesario.

RECLAMACIÓN: El motor se cala.

1. Siga los procedimientos incluidos en la sección **Verificación/limpieza del filtro de aire** para asegurarse de que el filtro de aire esté limpio.
2. Verifique la posición correcta de la palanca del anegador.
3. Drene el combustible del tanque y del carburador. Vuelva a llenar la unidad con gasolina fresca.
4. Verifique la velocidad de ralentí y ajústela, si fuera necesario, siguiendo los procedimientos incluidos en la sección **Ajuste de la velocidad de ralentí**.
5. Lleve la motocross a un mecánico calificado para que reemplace o repare los componentes defectuosos según sea necesario.

GARANTÍA CON RESPECTO A LAS EMISIONES

BAJA, INC. – GARANTÍA DEL SISTEMA DE CONTROL DE EMISIONES

SUS DERECHOS Y OBLIGACIONES EN VIRTUD DE LA GARANTÍA

Esta garantía del sistema de control de emisiones es parte de su acuerdo de compra y se aplica al último comprador (la primera persona que, de buena fe, compra el producto para fines que no sean de reventa) y a cada comprador subsiguiente. El período de garantía del sistema de control de emisiones para este vehículo comienza en la fecha en que el último comprador lo pone en servicio por primera vez, y continúa por 30 meses luego de esa fecha, o de 5 000 km, lo que ocurra primero, de no mediar ningún tipo de abuso, descuido o mantenimiento incorrecto de su vehículo. Este vehículo está diseñado, fabricado y equipado para cumplir con las normas de emisiones de la Agencia de Protección Ambiental (Environmental Protection Agency, EPA) de los EE. UU. durante toda la vida útil del vehículo. Cuando exista una condición garantizable, Baja, Inc. reparará su vehículo sin costo alguno para usted, incluidos el diagnóstico, las piezas y la mano de obra. Si una pieza de su vehículo relacionada con las emisiones tiene algún defecto, Baja, Inc. la reparará o la reemplazará. Esta es su garantía de defectos del control de emisiones.

RESPONSABILIDADES DEL PROPIETARIO EN VIRTUD DE LA GARANTÍA

En su carácter de propietario del vehículo, usted es responsable de realizar el mantenimiento requerido. Debe llevar un registro de todo mantenimiento realizado a su vehículo y de conservar todos los recibos de mantenimiento de su vehículo. No se le puede negar una reclamación de garantía únicamente por no asegurar la realización de todo el mantenimiento establecido o la falta de registros o recibos de mantenimiento. Usted es responsable de llevar su vehículo a un distribuidor autorizado en cuanto se presente un problema. Las reparaciones de garantía deberán completarse en un período razonable, que no excederá los 30 días.

En su carácter de propietario del vehículo, debe saber que es posible que le nieguen la cobertura de la garantía si su vehículo o una pieza han presentado fallas debido a un abuso, descuido, mantenimiento incorrecto o modificaciones no aprobadas.

COBERTURA DE LA GARANTÍA

Baja, Inc. garantiza que cada nuevo vehículo modelo 2010 y posterior:

- está diseñado, fabricado y equipado para cumplir, al momento de la compra inicial minorista, con todas las reglamentaciones aplicables de la Agencia de Protección Ambiental de los Estados Unidos y de la Junta de Recursos del Aire de California; y
- no tiene defectos materiales ni de fábrica que impidan que el vehículo cumpla con las reglamentaciones aplicables de la Agencia de Protección Ambiental de los Estados Unidos o de la Junta de Recursos del Aire de California por los períodos especificados anteriormente.

Su garantía del sistema de control de emisiones cubre los componentes cuya falla aumentaría las emisiones de un motor, incluidos los controles electrónicos, el sistema de inyección de combustible, el carburador, el sistema de encendido, el convertidor catalítico o cualquier otro sistema utilizado en este vehículo para controlar las emisiones en caso de estar equipado originalmente con dichos componentes. También pueden incluirse las mangueras, los conectores y otros conjuntos relacionados con las emisiones. Es responsabilidad del propietario reemplazar o reparar otros componentes (incluidas las piezas, la mano de obra y otros gastos) no cubiertos por esta garantía del sistema de control de emisiones o por la garantía estándar.

La cobertura de las reparaciones en virtud de esta garantía es aplicable solo cuando las reparaciones se realizan en un distribuidor o en un centro de reparaciones autorizados. Baja, Inc. no cubrirá reparaciones que hayan sido realizadas fuera de un distribuidor o de un centro de reparaciones autorizados, excepto para corregir una condición de inseguridad y de emergencia imputable a Baja, Inc. El uso de las piezas de repuesto que no sean equivalentes a las piezas originales puede menoscabar la efectividad del sistema de control de emisiones de su vehículo. Si se utiliza dicha pieza de repuesto y un distribuidor autorizado determina que esta tiene algún defecto o que causa una falla a una pieza bajo garantía, su reclamación de reparación para que su vehículo cumpla con las normas aplicables puede ser denegada.

Si se presenta una condición de inseguridad y de emergencia imputable a Baja, Inc., las reparaciones pueden ser realizadas en cualquier establecimiento de servicio disponible, o por el propietario, usando cualquier pieza de repuesto, en la medida en que el operador intente restaurar el motor/equipo a su configuración correcta tan pronto como sea posible. Baja, Inc. reembolsará

los gastos al propietario, incluidos los cargos de diagnóstico, sin exceder los precios minoristas sugeridos por Baja, Inc. por todas las piezas bajo garantía reemplazadas y para los cargos por mano de obra en función del margen de tiempo recomendado por Baja, Inc. para la reparación de garantía y de la tarifa de mano de obra por hora que corresponda geográficamente. Es posible que se requiera razonablemente al propietario que conserve los recibos y las piezas defectuosas, a fin de recibir la compensación correspondiente.

Esta Garantía del Sistema de Control de Emisiones es adicional a la Garantía Limitada estándar.

EXCLUSIONES Y LIMITACIONES

Esta garantía no cubre lo detallado a continuación:

- Fallas o funcionamiento defectuoso de los sistemas de control de emisiones causados por el uso incorrecto, alteración, accidente, uso indebido o el uso de gasolina con plomo.
- Reemplazo de elementos de mantenimiento no recuperables, a menos que formen parte del equipo original que presenten defectos materiales o de fábrica en condiciones de uso normal, y que no se haya cumplido el primer intervalo de reemplazo de los elementos requerido. Los elementos de mantenimiento no recuperables incluyen, entre otros, bujías, filtros, agentes de refrigeración, lubricantes, juntas, mangueras y correas.
- Reemplazos de piezas y otros servicios y ajustes para el mantenimiento requerido.
- Cualquier vehículo equipado con un odómetro o un cuentahoras en los que se altere la lectura, de modo que no sea posible determinar el kilometraje real con facilidad.
 - Reparaciones o reemplazos como resultado de un accidente, uso indebido o uso de piezas de repuesto o accesorios que no respeten las especificaciones originales, lo que afecta el rendimiento en forma negativa
- Daño físico, corrosión o defectos causados por incendio, explosiones o causas similares que estén fuera del control de Baja, Inc.
- Fallas que no estén causadas por un defecto material o de fábrica.

El uso del vehículo en cualquier tipo de carrera competitiva o evento relacionado anula esta y cualquier otra garantía inmediata y completamente. La inobservancia de la tabla de surtidores/los ajustes de altitud recomendados, si corresponde, u otras modificaciones no autorizadas, se considerará mantenimiento y uso del vehículo inadecuados, y puede provocar el rechazo de los reclamos de la garantía.

RESPONSABILIDAD LIMITADA

La responsabilidad de Baja, Inc. en virtud de esta Garantía del Sistema de Control de Emisiones se limita únicamente a la corrección de los defectos materiales o de fábrica por parte de un distribuidor autorizado en su oficina comercial durante las horas laborables habituales. Esta garantía no cubre ningún inconveniente ni pérdida por uso del vehículo ni el traslado del vehículo hacia/desde el distribuidor autorizado. Baja, Inc. no es responsable ante ninguna persona por daños incidentales, indirectos o especiales de ningún tipo, ya sea que surjan de una garantía expresa o implícita, o de cualquier otro contrato, negligencia u otro hecho ilícito, o de otro modo.

Baja, Inc. no brinda ninguna garantía expresa del sistema de control de emisiones, a excepción de lo establecido específicamente en el presente. Cualquier garantía del sistema de control de emisiones que esté implícita por ley, incluye cualquier garantía de comercialización o adecuación para un fin en particular, está limitada a los términos de la garantía expresa del sistema de control de emisiones incluidos en esta garantía. Las declaraciones de garantía antes mencionadas son exclusivas y reemplazan en su totalidad cualquier otro recurso. Queda eximida toda responsabilidad respecto de las garantías expresas no estipuladas en esta garantía. Algunos estados no permiten limitaciones respecto de la duración de una garantía implícita; por lo tanto, la limitación antes mencionada puede no ser aplicable si no coincide con la legislación estatal controlante.

Ningún distribuidor está autorizado a modificar esta Garantía del Sistema de Control de Emisiones. Si tiene alguna pregunta respecto de sus derechos y responsabilidades en virtud de la garantía, debe comunicarse con BAJA, INC. (888) 863-2252, 1428 Pearman Dairy Road, Anderson, SC 29625, o a la Junta de Recursos del Aire de California, 9528 Telstar Avenue, El Monte, CA 91731 (únicamente para vehículos registrados en California).

ESPECIFICACIONES DEL PRODUCTO

DIMENSIONES Y MASA EN SECO:

Longitud total	62,59 pulg. (1 589,8 mm)
Ancho total.....	29,33 pulg. (745 mm)
Altura total	41,18 pulg. (1 046 mm)
Distancia entre ejes.....	41,33 pulg. (1 049,8 mm)
Distancia al suelo	10,28 pulg. (261,1 mm)
Altura del asiento.....	29,96 pulg. (761 mm)
Peso en seco.....	145 lb. (65,7 kg)

MOTOR:

Calibre y carrera	47 mm x 41,4 mm
Cilindrada del motor	72 cc
Relación de compresión.....	8:8:1
Método de arranque	Pedal de arranque
Velocidad de ralentí	1 500 ± 150 RPM
Tipo de transmisión	Engrane de 4 marchas

SISTEMA ELÉCTRICO:

Tipo de encendido	CDI
Bujía	Torch A7TC
Separación de la bujía.....	0,028-0,031 pulg. (0,7-0,8 mm)

CAPACIDADES:

Lubricante del motor.....	0,90 cuarto (0,85 l) SAE15W40
Tanque de combustible.....	0,87 galón (3,3 l)
Carga rentable.....	165 lbs. (75 kg)
Velocidad máxima	45 mph (72 km/h)

FRENOS:

Tipo de frenos	Disco
----------------------	-------

NEUMÁTICOS:

Delanteros	2.75-12
Traseros	3.0-10

Baja Motorsports®

OPERATOR'S MANUAL
MANUAL DEL OPERADOR
DIRT BIKE / MOTOCROSS
DR90

⚠ WARNING:

This product contains chemicals known to the State of California to cause cancer, birth defects, or other reproductive harm.

CALIFORNIA PROPOSITION 65

⚠ ADVERTENCIA:

Este producto contiene sustancias químicas que, según el estado de California, provocan cáncer, defectos congénitos u otros daños reproductivos.

PROPUESTA 65 (PROPOSITION 65) DE CALIFORNIA

BAJA MOTORSPORTS

1428 Pearman Dairy Road
Anderson, SC 29625
1-888-863-2252
www.bajamotorsports.com



⚠️ WARNING ⚠️ AVERTISSEMENT ⚠️ ADVERTENCIA

**Improper use of this motorcycle
can result in SEVERE INJURY or DEATH**

**L'utilisation incorrecte du moto peut causer
DES BLESSURES SÉVÈRES ou LA MORT.**

**El uso inadecuado de las motocicleta puede provocar
LESIONES GRAVES o la MUERTE.**



Always use an approved helmet and protective gear.

**Portez toujours un casque approuvé et un équipement
de protection.**

Use siempre un casco aprobado y equipo de protección.



Never use on public roads.

Ne conduisez jamais sur des voies publiques.

Nunca use el vehículo en la vía pública.



Never carry passengers.

Ne transportez jamais avec un passager.

Nunca lleve pasajeros.



Never use with drugs or alcohol.

Ne jamais utiliser avec les médicaments ou l'alcool

Nunca utilice con drogas o alcohol.

989000279-01