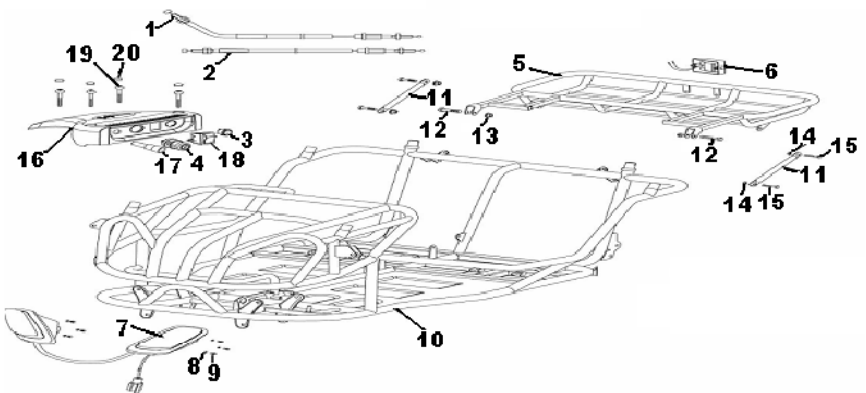

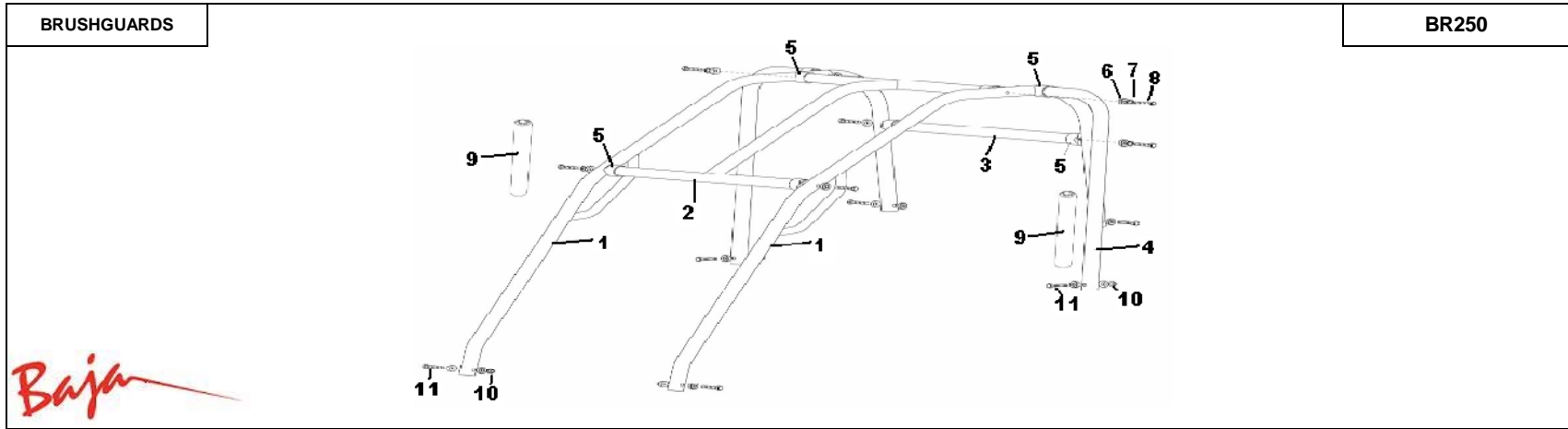


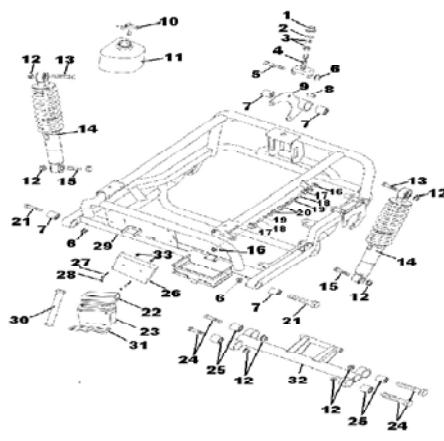
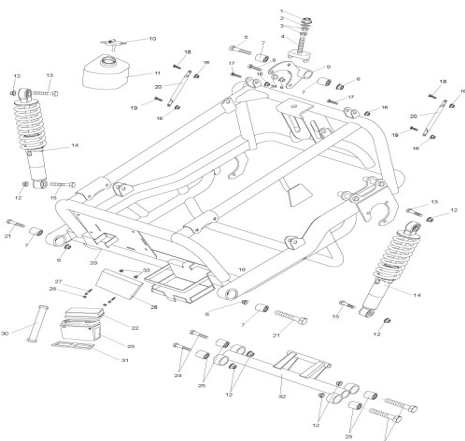
BR250



FRAME								BR250
								
								
Item No.	Part No.	UPC Number	Description	Qty per Order	Qty.	MSRP	Dealer Cost	
1	BR250-561	842645037092	CABLE, PARKING BRAKE (RADIATOR ON SIDE)	1	1	\$14.60	\$7.30	
1	BR250-601	842645037757	CABLE, PARKING BRAKE (RADIATOR ON BACK)	1	1	\$14.60	\$7.30	
2	BR250-600	842645037498	CABLE, REVERSE (RADIATOR ON SIDE)	1	1	\$14.86	\$7.43	
2	BR250-602	842645037764	CABLE, REVERSE (RADIATOR ON BACK)	1	1	\$14.86	\$7.43	
3	BR150S-102	883099119293	ENGINE STOP BUTTON	1	1	\$11.25	\$5.63	
4	BR150S-103	883099119309	SWITCH, IGNITION	1	1	\$14.00	\$7.00	
	DN150-815	883099146138	KEYS (1SET)	1	1	\$5.20	\$2.60	
5	BR150S-535	883099119316	CARGO RACK	1	1	\$90.00	\$45.00	
6	BR150S-105	883099119323	TAILLIGHT	1	1	\$16.20	\$8.10	
7	BR150S-106	883099119330	HEADLIGHT SET	1	1	\$46.50	\$23.25	
8	BR150S-107	883099119347	WASHER M6	3	6	\$10.80	\$5.40	
9	BR150S-108	883099119354	BOLT, M6X12	3	6	\$13.50	\$6.75	
10	BR250-100	842645017872	FRAME	1	1	\$928.58	\$464.29	
11	BR250-101	842645017889	BACK SUPPORT BAR	2	2	\$14.00	\$7.00	
12	BR150S-111	883099119385	BOLT M8 X40	2	2	\$2.12	\$1.06	
13	BR150S-112	883099119392	NUT LOCKING FLANGE M8	2	2	\$2.08	\$1.04	



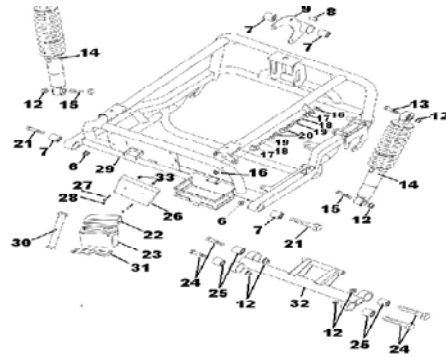
Item No.	Part No.	UPC Number	Description	Qty per Order	Qty.	MSRP	Dealer Cost
1	BR150S-539	883099143212	GUARD BLACK	1	2	\$45.00	\$22.50
2	BR150S-538	883099143205	FRAME CROSS MEMBER BAR BLACK	1	1	\$34.10	\$17.05
3	BR150S-540	883099143229	RR .FRAME CROSS MEMBER BAR BLACK	1	1	\$34.10	\$17.05
4	BR150S-541	883099143236	GUARD SIDE RAIL BLACK	1	2	\$45.00	\$22.50
5	BR150S-119	883099119460	TUBE COLLAR M32	2	8	\$3.60	\$1.80
6	BR150S-120	883099119477	SPRING WASHER M8	4	8	\$4.16	\$2.08
7	BR150S-121	883099119484	WASHER SPHERICAL M8-32	5	20	\$5.30	\$2.65
8	BR150S-122	883099119491	BOLT M8 X 60 M8	4	8	\$4.24	\$2.12
9	BR150S-552	883099146534	PADDING FRAME BLACK	1	2	\$8.00	\$4.00
10	BR150S-124	883099119514	NUT M8	3	6	\$3.12	\$1.56
11	BR150S-125	883099119521	BOLT M8 X 55	3	6	\$3.18	\$1.59
	BR250-158	842645036965	PADDING AND WRAPS FOR FRAME		1	\$16.48	\$8.24

SWING ARM						BR250	
<p>EXPANDED DIAGRAMS</p> <p>RADIATOR ON SIDE</p> 				<p>RADIATOR ON BACK</p>			
Item No.	Part No.	UPC Number	Description	Qty per Order	Qty.	MSRP	Dealer Cost
1	BR250-107	842645017940	NUT, M14X1.5	1	1	\$1.10	\$0.55
2	BR250-108	842645017957	WASHER, 14	1	1	\$1.26	\$0.63
3	BR250-109	842645017964	NUT, M14X1.5	2	2	\$1.04	\$0.52
4	BR250-110	842645017971	CHAIN ADJUSTER	1	1	\$38.83	\$19.42
5	BR250-111	842645017988	BOLT, M12X1.25X105	1	1	\$5.31	\$2.66
6	BR250-112	842645017995	NUT, M12X1.25	3	3	\$1.08	\$0.54
7	BR250-113	842645018008	BUFFER RUBBER	2	4	\$11.52	\$5.76
8	BR250-114	842645018015	SHAFT BUSHING (RADIATOR ON SIDE)	1	1	\$2.88	\$1.44
8	BR250-603	842645037771	BOLT, M12X1.25X70 (RADIATOR ON BACK)	1	1	\$2.88	\$1.44
9	BR250-115	842645018022	RR. PLATE	1	1	\$19.74	\$9.87
10	BR250-116	842645018039	CAP, OVERFLOW TANK	1	1	\$4.20	\$2.10
11	BR250-117	842645018046	OVERFLOW TANK	1	1	\$14.00	\$7.00
12	BR250-118	842645018053	NUT, M10X1.25	4	8	\$1.10	\$0.55
13	BR250-119	842645018060	BOLT, M10X1.25X45	2	2	\$1.44	\$0.72
14	BR250-120	842645018077	REAR SHOCK	1	2	\$64.30	\$32.15
15	BR250-121	842645018084	BOLT, M10X1.25X40	2	2	\$1.44	\$0.72

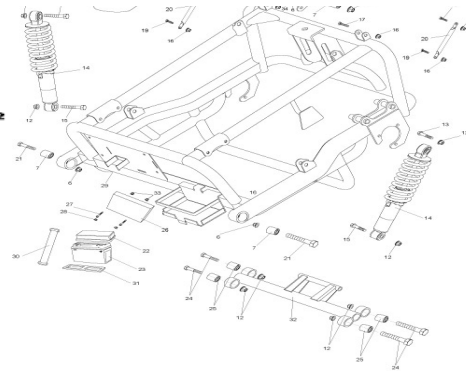
SWING ARM								BR250	
<p>EXPANDED DIAGRAMS</p> <p>RADIATOR ON SIDE</p>								<p>RADIATOR ON BACK</p>	
Item No.	Part No.	UPC Number	Description	Qty per Order	Qty.	MSRP	Dealer Cost		
16	BR250-122	842645018091	NUT, M8 (RADIATOR ON SIDE)	3	3	\$1.08	\$0.54		
16	BR250-604	842645037825	NUT M8 NEW (RADIATOR ON BACK)	1	6	\$1.08	\$0.54		
17	BR250-123	842645018107	RUBBER BUSHING (RADIATOR ON SIDE)	3	3	\$3.78	\$1.89		
17	BR250-605	842645037832	BOLT, M8X45 (RADIATOR ON BACK)	1	2	\$3.78	\$1.89		
18	BR250-124	842645018114	BUSHING (RADIATOR ON SIDE)	3	3	\$2.16	\$1.08		
18	BR250-606	842645037849	BOLT, M8X16 (RADIATOR ON BACK)	1	2	\$3.16	\$1.58		
19	BR250-125	842645018121	WASHER 8 (RADIATOR ON SIDE)	3	3	\$1.04	\$0.52		
19	BR250-607	842645037863	BOLT, M8X35 (RADIATOR ON BACK)	1	2	\$2.08	\$1.04		
20	BR250-126	842645018138	BOLT, M8X30 (RADIATOR ON SIDE)	3	3	\$1.12	\$0.56		
20	BR250-608	842645037979	RADIATOR STAND (RADIATOR ON BACK)	1	2	\$2.10	\$1.05		
21	BR250-127	842645018145	BOLT, M12X1.25X60	2	2	\$3.36	\$1.68		
22	BR250-128	842645018152	BATTERY COVER	1	1	\$6.68	\$3.34		
23	90-01-9002	883099075575	BATTERY	1	1	\$62.96	\$62.96		
24	BR250-130	842645018176	BOLT, M10X1.25X72	2	4	\$4.20	\$2.10		
25	BR250-131	842645018183	SMALL BUFFER RUBBER	2	4	\$10.98	\$5.49		
26	BR250-132	842645018190	COVER, ELECTRIC BOX	1	1	\$10.16	\$5.08		
SWING ARM								BR250	

[EXPANDED DIAGRAMS](#)

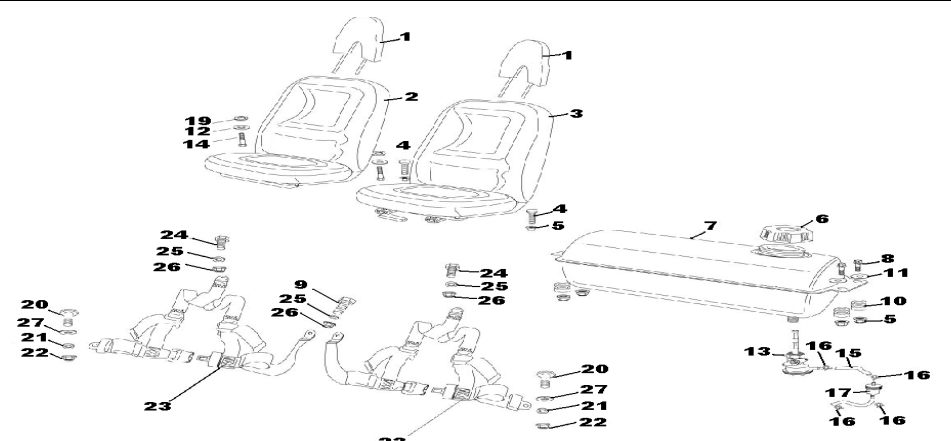
RADIATOR ON SIDE



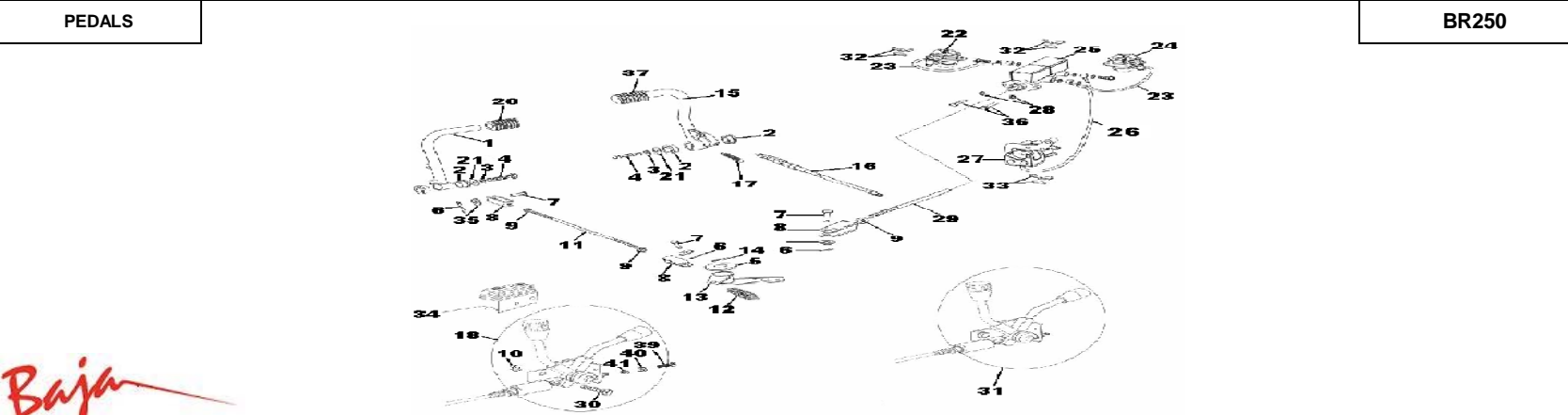
RADIATOR ON BACK

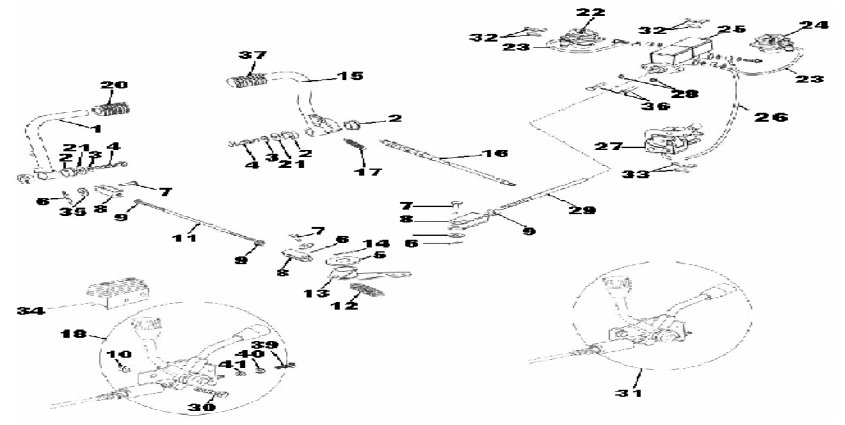


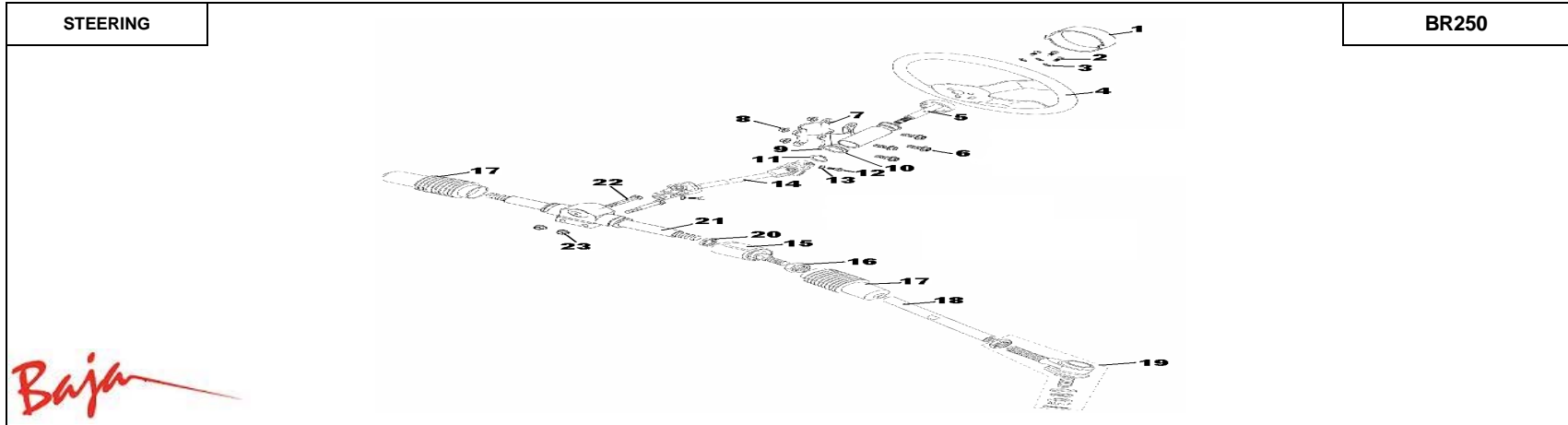
Item No.	Part No.	UPC Number	Description	Qty per Order	Qty.	MSRP	Dealer Cost
27	BR250-133	842645018206	SCREW, M6X60	2	2	\$1.08	\$0.54
28	BR250-134	842645018213	WATER PROOF PLUG	2	2	\$2.20	\$1.10
29	BR250-135	842645018220	REAR SWING ARM (RADIATOR ON SIDE)	1	1	\$257.14	\$128.57
29	BR250-609	842645037986	REAR SWINGARM (RADIATOR ON BACK)	1	1	\$257.14	\$128.57
30	BR250-136	842645018237	BATTERY STRAP	1	1	\$8.48	\$4.24
31	BR250-137	842645018244	RUBBER PAD, BATTERY	1	1	\$5.64	\$2.82
32	BR250-138	842645018251	SMALL SWINGARM	1	1	\$35.28	\$17.64
33	BR250-139	842645018268	NUT, M6	2	2	\$1.12	\$0.56
34	BR250-610	842645038020	REAR ENGINE BRACKET BUSHING (RADIATOR ON BACK)	1	1	\$4.25	\$2.13

SEAT									BR250
									
Item No.	Part No.	UPC Number	Description	Qty per Order	Qty.	MSRP	Dealer Cost		
1	BR250-140	842645018275	HEADREST	1	2	\$20.24	\$10.12		
2	BR250-141	842645018282	SEAT, PASSENGER	1	1	\$292.86	\$146.43		
3	BR250-142	842645018305	SEAT, DRIVER	1	1	\$292.86	\$146.43		
4	BR150S-170	883099119972	BOLT, M8X45	2	2	\$2.40	\$1.20		
5	BR150S-171	883099119989	NUT	3	6	\$3.12	\$1.56		
6	BR150S-172	883099119996	FUEL TANK CAP	1	1	\$10.17	\$5.09		
7	BR150S-173	883099120008	FUEL TANK	1	1	\$52.00	\$26.00		
8	BR150S-174	883099120015	BOLT, M8X45	2	4	\$2.12	\$1.06		
9	BR150S-175	883099120022	BOLT, M10X1.25X25	2	1	\$2.08	\$1.04		
10	BR150S-176	883099120039	RUBBER MOUNT	2	4	\$2.40	\$1.20		
11	BR150S-177	883099120046	FLAT WASHER M8	2	4	\$2.04	\$1.02		
12	BR150S-221	883099120480	WASHER M12	2	2	\$2.08	\$1.04		
13	BR150S-179	883099120060	FUEL VALVE	1	2	\$11.00	\$5.50		
14	BR150S-208	883099120350	BOLT M8X60 M8X55	2	2	\$2.12	\$1.06		
15	BR150S-181	883099120084	TUBE #1	1	1	\$3.24	\$1.62		
16	BR150S-182	883099120091	TUBE CLIP #2	2	4	\$2.04	\$1.02		

SEAT		BR250						
Item No.	Part No.	UPC Number	Description	Qty per Order	Qty.	MSRP	Dealer Cost	
17	BR150S-183	883099120107	FUEL FILTER	1	1	\$3.60	\$1.80	
18			CANCELLED					
19	BR150S-209	883099120367	SPRING WASHER M8	2	2	\$2.04	\$1.02	
20	BR150S-186	883099120138	BOLT , M10X1.25X20	2	2	\$2.88	\$1.44	
21	BR150S-187	883099120145	WASHER M12	2	2	\$2.04	\$1.02	
22	BR150S-188	883099120152	NUT , M12	2	2	\$2.04	\$1.02	
23	BR150S-189	883099120169	SEAT BELT	1	2	\$40.00	\$20.00	
24	BR150S-190	883099120176	BOLT M10X1.25X20	2	2	\$2.08	\$1.04	
25	BR150S-191	883099120183	WASHER M10	3	3	\$3.06	\$1.53	
26	BR150S-192	883099120190	NUT M10X1.25	3	3	\$3.12	\$1.56	
27	BR150S-212	883099120398	SPRING WASHERM12	2	2	\$2.04	\$1.02	

PEDALS								BR250
								
Item No.	Part No.	UPC Number	Description	Qty per Order	Qty.	MSRP	Dealer Cost	
1	BR150S-222	883099120497	BRAKE PEDAL, RED	1	1	\$8.10	\$4.05	
	BR150S-625	842645037610	BRAKE PEDAL, BLACK	1	1	\$8.10	\$4.05	
2	BR150S-223	883099120503	PEDAL BUSH	2	4	\$3.60	\$1.80	
3	BR150S-224	883099120510	SPRING WASHER, M8	2	2	\$2.04	\$1.02	
4	BR150S-225	883099120527	BOLT, M8X15	2	2	\$2.08	\$1.04	
5	BR150S-226	883099120534	WASHER, M12	1	1	\$1.02	\$0.51	
6	BR150S-227	883099120541	COTTER PIN, 2X20	3	3	\$3.12	\$1.56	
7	BR150S-228	883099120558	AXIS PIN, 6X16	3	3	\$3.60	\$1.80	
8	BR150S-229	883099120565	U-JOINT	1	3	\$3.60	\$1.80	
9	BR150S-230	883099120572	HEX NUT M8	3	3	\$3.12	\$1.56	
10	BR150S-231	883099120589	LOCKING NUT, M8	2	4	\$2.08	\$1.04	
11	BR150S-232	883099120596	RR. BRAKE TENSION ROD	1	1	\$8.10	\$4.05	
12	BR150S-233	883099120602	RR. BRAKE RETURN SPRING	1	1	\$1.00	\$0.50	
13	BR150S-234	883099120619	BRAKE ARM	1	1	\$8.80	\$4.40	
14	BR150S-235	883099120626	COTTER PIN 2.5X35	1	1	\$1.04	\$0.52	
15	BR150S-236	883099120633	GAS PEDAL	1	1	\$8.10	\$4.05	

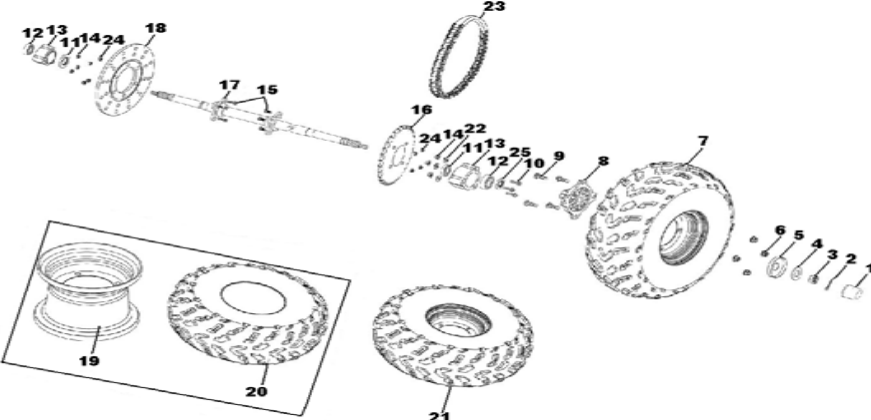
PEDALS			BR250					
								
Item No.	Part No.	UPC Number	Description	Qty per Order	Qty.	MSRP	Dealer Cost	
	BR150S-626	842645037634	GAS PEDAL, BLACK	1	1	\$8.10	\$4.05	
16	BR250-143	842645018312	THROTTLE CABLE	1	1	\$11.20	\$5.60	
17	BR150S-238	883099120657	SPRING, THROTTLE	1	1	\$1.50	\$0.75	
18	BR150S-239	883099120664	HAND BRAKE BAR COMP.	1	1	\$63.50	\$31.75	
19	BR150S-240	883099120671	U-JOINER #2	1	1	\$8.00	\$4.00	
20	BR150S-241	883099120688	PEDAL COVER	1	2	\$4.50	\$2.25	
21	BR150S-242	883099120695	WASHER M8	2	2	\$2.04	\$1.02	
22	BR150S-243	883099120701	FR. BRAKE CALIPER. L	1	1	\$68.00	\$34.00	
23	BR150S-244	883099120718	OIL PIPE#1 (RADIATOR ON SIDE)	1	1	\$24.00	\$12.00	
23	BR250-611	842645038037	OIL PIPE#1 (RADIATOR ON BACK)	1	1	\$24.00	\$12.00	
24	BR150S-245	883099120725	FR. BRAKE CALIPER. R	1	1	\$68.00	\$34.00	
25	BR150S-246	883099120732	MASTER CYLINDER	1	1	\$35.40	\$17.70	
26	BR250-144	842645018329	OIL PIPE#2	1	1	\$49.96	\$24.98	
27	BR250-145	842645018336	RR. BRAKE CALIPER ASSY. W/BACKET	1	1	\$64.24	\$32.12	
28	BR150S-249	883099120763	NUT, M8	2	2	\$2.08	\$1.04	
29	BR150S-250	883099120770	SPINDLE PIN	1	1	\$4.50	\$2.25	



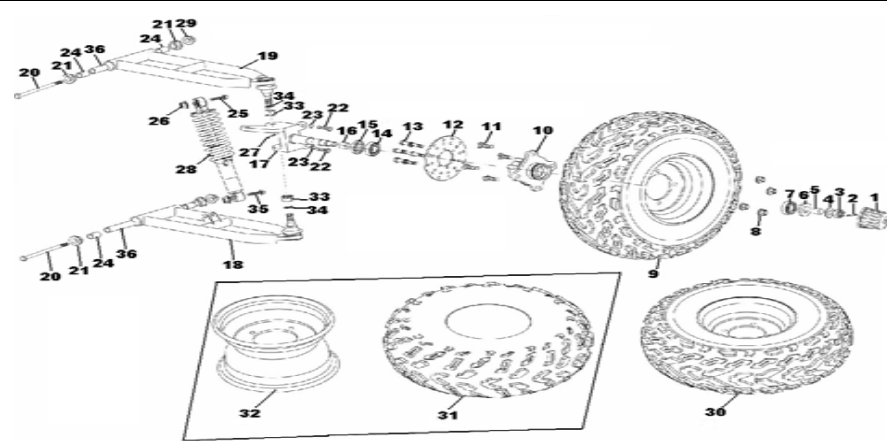
STEERING

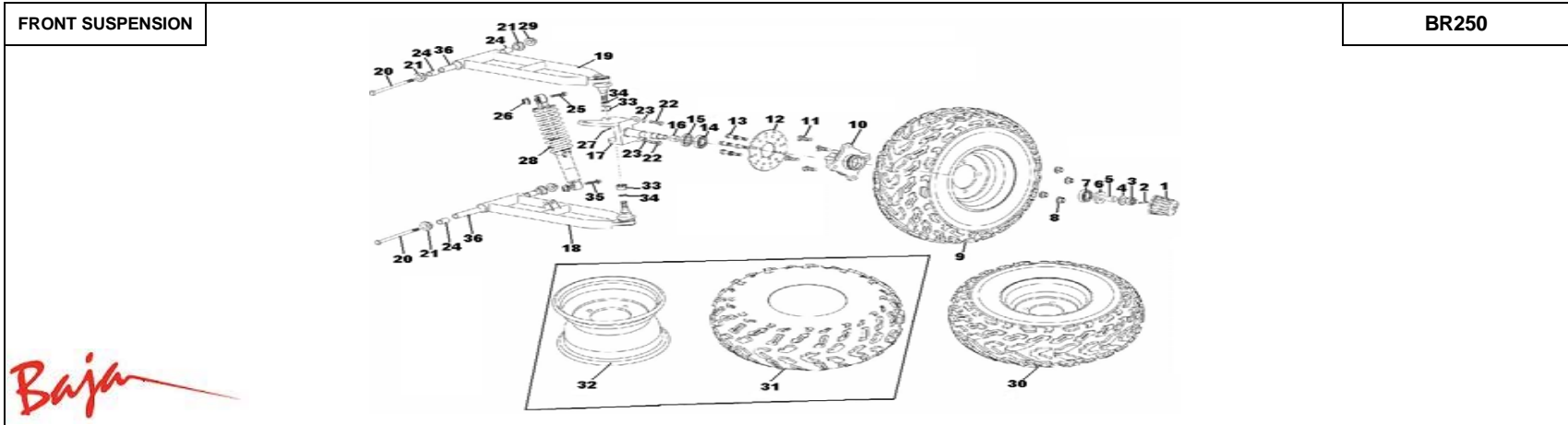
BR250

Item No.	Part No.	UPC Number	Description	Qty per Order	Qty.	MSRP	Dealer Cost
1	BR150S-259	883099120862	STEERING WHEEL CAP	1	1	\$2.40	\$1.20
2	BR150S-260	883099120879	BOLT: M6X12	3	3	\$3.06	\$1.53
3	BR150S-261	883099120886	LOCK WASHER M6	3	3	\$3.06	\$1.53
4	BR150S-262	883099120893	STEERING WHEEL	1	1	\$40.00	\$20.00
5	BR150S-263	883099120909	STEERING WHEEL FLANGE	1	1	\$21.00	\$10.50
6	BR150S-264	883099120916	BOLT, M8X25	2	4	\$2.08	\$1.04
7	BR150S-265	883099120923	STEERING FLANGE BRACKET	1	1	\$5.04	\$2.52
8	BR150S-266	883099120930	NUT M8	2	4	\$2.04	\$1.02
9	BR150S-267	883099120947	STEERING FLANGE BRACKET	1	1	\$8.10	\$4.05
	BR150S-627	842645037689	STEERING FLANGE BRACKET, BLACK	1	1	\$8.10	\$4.05
10	BR150S-268	883099120954	STEERING AXLE CAP	1	2	\$1.08	\$0.54
11	BR150S-269	883099120961	ELASTIC RING M20	1	1	\$1.06	\$0.53
12	BR150S-270	883099120978	BOLT, M8X25	2	2	\$2.08	\$1.04
13	BR150S-271	883099120985	WASHER, M8	2	2	\$2.04	\$1.02
14	BR150S-272	883099120992	UNIVERSAL JOINT	1	1	\$32.40	\$16.20
15	BR150S-273	883099121005	TIE ROD CONNECTOR RACK END	1	2	\$30.00	\$15.00

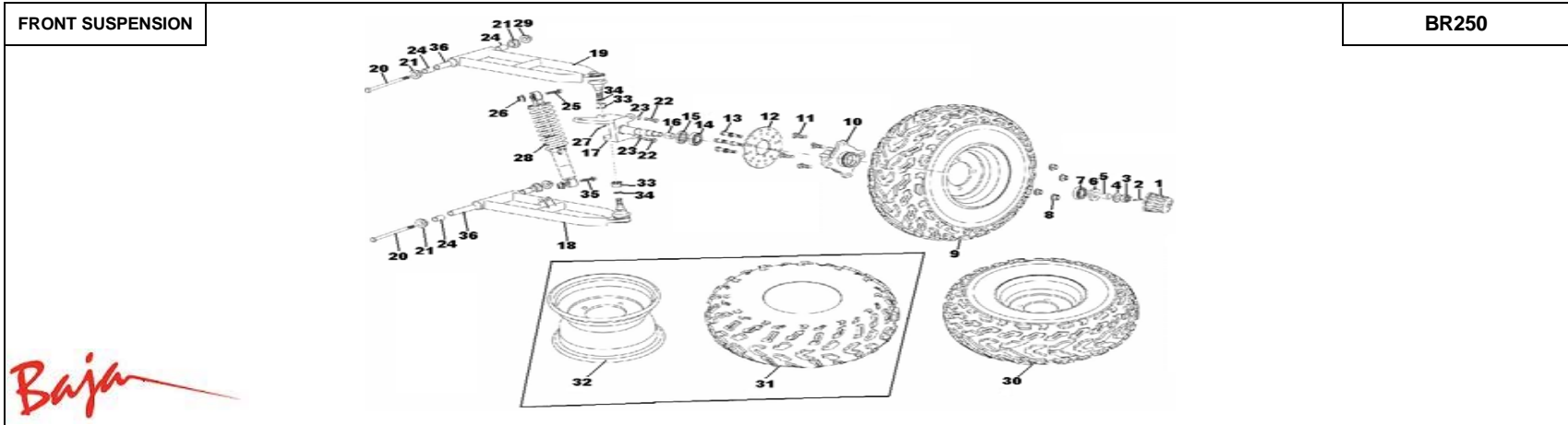
REAR AXLE			BR250					
								
Item No.	Part No.	UPC Number	Description	Qty per Order	Qty.	MSRP	Dealer Cost	
1	BR150S-282	883099121098	CAP, HUB	1	2	\$4.50	\$2.25	
2	BR150S-283	883099121104	PIN SPECIAL3X40	2	2	\$2.04	\$1.02	
3	BR150S-284	883099121111	NUT FLANGE M16X1.5	2	2	\$5.28	\$2.64	
4	BR150S-285	883099121128	RR. AXLE WASHER	2	2	\$2.04	\$1.02	
5	BR150S-286	883099121135	RR. AXLE BUSHING	1	2	\$4.50	\$2.25	
6	BR150S-287	883099121142	NUT FLANGE, M10X1.25	4	8	\$4.16	\$2.08	
7			RR. TIRE. RH(Red buggy) ASSEMBLY		1			
			RR. TIRE. RH(Black buggy) ASSEMBLY		1			
8	BR150S-289	883099121166	REAR HUB	1	2	\$33.00	\$16.50	
9	BR150S-290	883099121173	LUG BOLT	2	8	\$4.80	\$2.40	
10	BR150S-291	883099121180	BOLT M8X60	3	6	\$3.18	\$1.59	
11	BR150S-292	883099121197	OIL SEAL30X55X12	1	1	\$7.20	\$3.60	
12	BR150S-293	883099121203	BEARING 6006	1	2	\$11.20	\$5.60	
13	BR150S-294	883099121210	BEARING BASE	1	2	\$24.00	\$12.00	
14	BR150S-295	883099121227	NUT M8(GB6170)	3	6	\$3.06	\$1.53	
15	BR150S-296	883099121234	BOLT HHFS M8 X 25	4	8	\$4.24	\$2.12	

REAR AXLE			BR250					
Item No.	Part No.	UPC Number	Description	Qty per Order	Qty.	MSRP	Dealer Cost	
16	BR250-148	842645018350	SPROCKET, DRIVEN 33	1	1	\$57.14	\$28.57	
17	BR250-149	842645018367	AXLE (RADIATOR ON SIDE)	1	1	\$214.32	\$107.16	
17	BR250-612	842645038044	AXLE (RADIATOR ON BACK)	1	1	\$214.32	\$107.16	
18	BR250-150	842645018374	BRAKE DISC	1	1	\$42.86	\$21.43	
19	BR150S-544	883099143267	RR. RIM(Silver)	1	2	\$48.75	\$24.38	
	BR150S-300	883099121272	RR. RIM(Black)	1	2	\$48.75	\$24.38	
20	BR150S-301	883099121289	TIRE, RR.	1	2	\$102.00	\$51.00	
21			RR. WHEEL LH(Red buggy) ASSEMBLY		1			
			RR. WHEEL LH(Black buggy) ASSEMBLY		1			
22	BR150S-303	883099121302	WASHER M8 GB93	3	6	\$3.06	\$1.53	
23	BR250-153	842645018381	DRIVE CHAIN 50	1	1	\$34.58	\$17.29	
24	BR150S-305	883099121326	NUT M8	4	8	\$4.08	\$2.04	
25	BR150S-306	883099121333	OIL SEAL30X56X12(GB5782)	1	1	\$7.20	\$3.60	

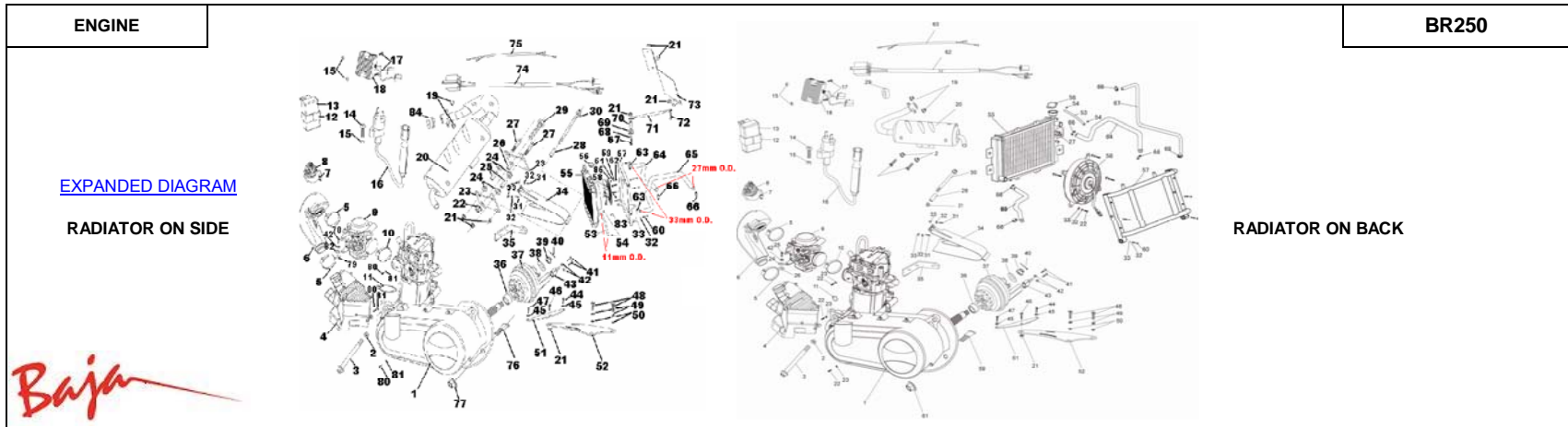
FRONT SUSPENSION			BR250					
								
Item No.	Part No.	UPC Number	Description	Qty per Order	Qty.	MSRP	Dealer Cost	
1	BR150S-307	883099121340	CAP, HUB	1	2	\$4.50	\$2.25	
2	BR150S-308	883099121357	PIN SPLIT 2.5X35 (GB91)	2	2	\$2.04	\$1.02	
3	BR150S-309	883099121364	NUT CASTLE M14X1.5 (GB9459)	2	2	\$6.00	\$3.00	
4	BR150S-310	883099121371	WASHER M10 (GB96)	2	2	\$2.04	\$1.02	
5	BR150S-311	883099121388	BUSHING BRASS 27X5X8	2	2	\$2.40	\$1.20	
6	BR150S-312	883099121395	BEARING SEAL 27X42X7	1	2	\$7.20	\$3.60	
7	BR150S-313	883099121401	BEARING (GB6203)	1	2	\$11.20	\$5.60	
8	BR150S-314	883099121418	NUT M10(GB6187)	4	8	\$4.24	\$2.12	
9			FR. WHEEL LH(Black buggy)		1			
			FR. WHEEL LH(Black buggy)		1			
10	BR150S-316	883099121432	WHEEL HUB	1	2	\$41.80	\$20.90	
11	BR150S-317	883099121449	TIRE BOLT, M10X1.25X35	2	8	\$4.80	\$2.40	
12	BR150S-318	883099121456	BRAKE DISC	1	2	\$17.50	\$8.75	
13	BR150S-319	883099121463	BOLT M6X16 GB5783	4	12	\$4.08	\$2.04	
14	BR150S-320	883099121470	BEARING	1	2	\$12.80	\$6.40	
15	BR150S-321	883099121487	BEARING SEAL 25X47X7	1	2	\$8.00	\$4.00	



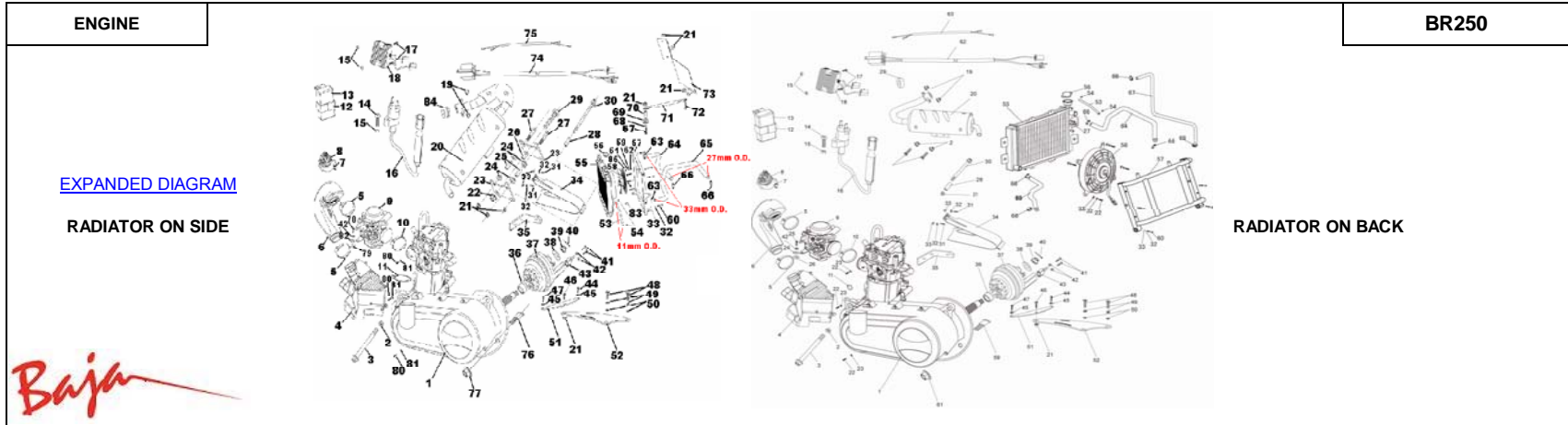
Item No.	Part No.	UPC Number	Description	Qty per Order	Qty.	MSRP	Dealer Cost
16			CANCELLED				\$0.00
17	BR150S-323	883099121500	SPINDLE, LEFT	1	1	\$59.00	\$29.50
	BR150S-324	883099121517	SPINDLE, RIGHT	1	1	\$59.00	\$29.50
18	BR150S-325	883099121524	A-ARM LOWER LEFT	1	1	\$40.00	\$20.00
	BR150S-326	883099121531	A-ARM LOWER RIGHT	1	1	\$40.00	\$20.00
19	BR150S-327	883099121548	A-ARM UPPER LEFT	1	1	\$40.00	\$20.00
	BR150S-328	883099121555	A-ARM UPPER RIGHT	1	1	\$40.00	\$20.00
20	BR150S-329	883099121562	BOLT, M10X1.25X170	2	4	\$7.20	\$3.60
21	BR150S-330	883099121579	NYLON COLLAR	2	8	\$2.40	\$1.20
22	BR150S-331	883099121586	BOLT ,M8X16, FLANGE	2	4	\$2.08	\$1.04
23	BR150S-332	883099121593	SPRING WASHER M8	2	4	\$2.04	\$1.02
24	BR150S-333	883099121609	A-ARM NYLON BUSHING	4	8	\$4.08	\$2.04
25	BR150S-334	883099121616	BOLT M10X1.25X45	2	2	\$2.40	\$1.20
26	BR150S-335	883099121623	NUT, M10X1.25	2	4	\$2.12	\$1.06
27	BR150S-336	883099121630	COTTER PIN 2.5X30	2	2	\$2.04	\$1.02
28	BR250-155	842645018398	SHOCK FR.(Red buggy)	1	2	\$57.14	\$28.57



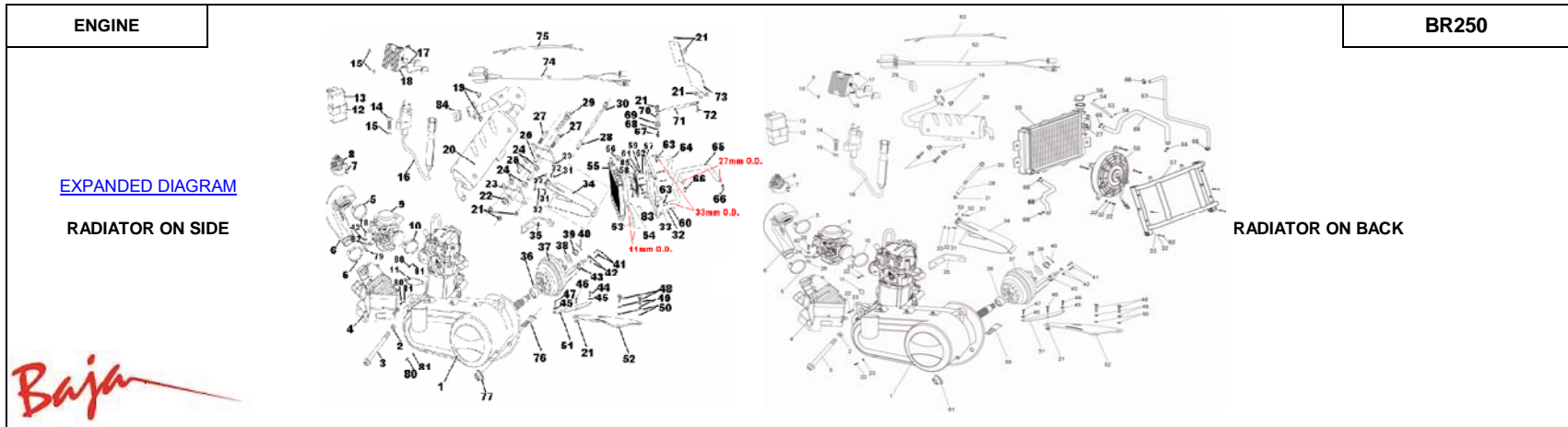
Item No.	Part No.	UPC Number	Description	Qty per Order	Qty.	MSRP	Dealer Cost
28	BR250-156	842645018404	SHOCK FR.(Black buggy)	1	2	\$57.14	\$28.57
29	BR150S-338	883099121654	NUT, M10X.125	2	4	\$2.12	\$1.06
30			FR. WHEEL RH(Black buggy)		1		
			FR. WHEEL RH(Black buggy)		1		
31	BR150S-340	883099121678	TIRE. FR	1	2	\$98.50	\$49.25
32	BR150S-545	883099121685	FR. RIM(Silver)	1	2	\$42.63	\$21.32
32	BR150S-341	883099143274	FR. RIM(Black)	1	2	\$42.63	\$21.32
33	BR150S-342	883099121692	CASTLE NUT, M12	2	2	\$2.20	\$1.10
34	BR150S-343	883099121708	SPRING WASHER, M12	2	2	\$2.08	\$1.04
35	BR150S-344	883099121715	BOLT, M10X1.25X40	2	2	\$2.40	\$1.20
36	BR150S-624	842645036958	A-ARM BUSHING	1	1	\$3.16	\$1.58



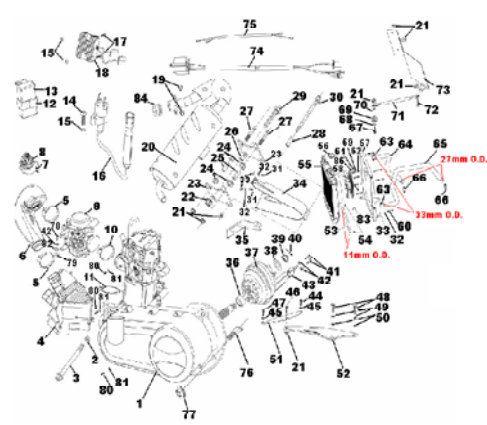
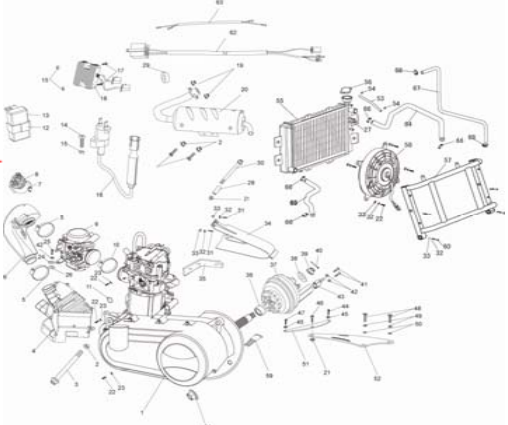

Item No.	Part No.	UPC Number	Description	Qty per Order	Qty.	MSRP	Dealer Cost
1	BR250-465	842645021497	ENGINE	1	1	\$1,932.14	\$1,449.11
2	BR250-160	842645018428	NUT	1	1	\$1.12	\$0.56
3	BR250-161	842645018435	BOLT	1	1	\$1.24	\$0.62
4	BR250-162	842645018442	AIR CLEANER	1	1	\$60.00	\$30.00
5	BR250-163	842645018459	CLAMP, AIR BOX	2	2	\$2.12	\$1.06
6	BR250-164	842645018466	HOSE, AIR BOX	1	1	\$18.94	\$9.47
7			RUBBER COVER, STARTING RELAY	1	1		
8	BR250-166	842645018473	RELAY, STARTER	1	1	\$22.00	\$11.00
9			CARBURETOR	1	1		
10	BR250-168	842645018480	CLAMP, CARBURETOR	1	1	\$1.42	\$0.71
11	BR250-169	842645018497	CLAMP, LH COVER	1	1	\$2.12	\$1.06
12			RUBBER BOOT, IGNITION	1	1		
13	BR250-171	842645018503	CDI	1	1	\$48.57	\$24.29
14	BR250-172	842645018510	BOLT M6X20	1	1	\$1.36	\$0.68
15	BR250-173	842645018527	NUT M6	3	3	\$1.08	\$0.54
16	BR250-174	842645018534	IGNITION COIL	1	1	\$19.00	\$9.50

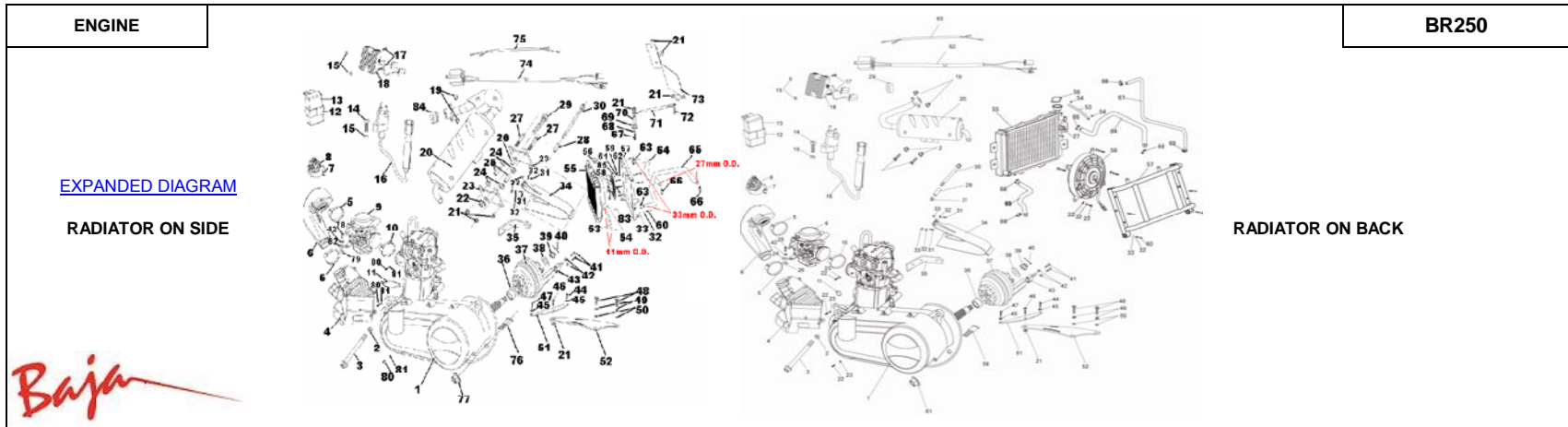


Item No.	Part No.	UPC Number	Description	Qty per Order	Qty.	MSRP	Dealer Cost
17	BR250-175	842645018541	BOLT M6X30	2	2	\$1.10	\$0.55
18	BR250-176	842645018558	RECTIFIER	1	1	\$51.42	\$25.71
19	BR250-177	842645018565	NUT M8	2	2	\$1.10	\$0.55
20	BR250-178	842645018572	MUFFLER (RADIATOR ON SIDE)	1	1	\$152.00	\$76.00
20	BR250-614	842645038075	MUFFLER (RADIATOR ON BACK)	1	1	\$152.00	\$76.00
21	BR250-179	842645018589	SELF-LOCK NUT M8 (RADIATOR ON SIDE)	4	8	\$1.02	\$0.51
21	BR250-615	842645038082	FLANGE NUT (RADIATOR ON BACK)	1	3	\$1.52	\$0.76
22	BR250-180	842645018596	SELF-LOCK NUT M12X1.25 (RADIATOR ON SIDE)	1	1	\$1.06	\$0.53
22	BR250-616	842645038105	BOLT, M6X20 (RADIATOR ON BACK)	1	7	\$1.08	\$0.54
23	BR250-181	842645018602	INSTALLATION PLATE, MUFFLER (RADIATOR ON SIDE)	1	2	\$6.14	\$3.07
23	BR250-617	842645038112	WASHER 5 (RADIATOR ON BACK)	1	3	\$1.82	\$0.91
24	BR250-182	842645018619	RUBBER WASHER, MUFFLER (RADIATOR ON SIDE)	2	4	\$1.24	\$0.62
24	BR250-618	842645038129	WASHER 6 (RADIATOR ON BACK)	1	1	\$2.12	\$1.06
25	BR250-183	842645018626	INSTALLATION COLLAR, MUFFLER (RADIATOR ON SIDE)	1	2	\$1.42	\$0.71
25	BR250-619	842645038136	BOLT, M5X20 (RADIATOR ON BACK)	1	1	\$1.24	\$0.62
26	BR250-184	842645018633	RR. BUSHING, ENGINE (RADIATOR ON SIDE)	1	1	\$3.24	\$1.62



Item No.	Part No.	UPC Number	Description	Qty per Order	Qty.	MSRP	Dealer Cost
26	BR250-620	842645038143	RUBBER BUSHING (RADIATOR ON BACK)	1	1	\$1.10	\$0.55
27	BR250-185	842645018640	BOLT, M8X70 (RADIATOR ON SIDE)	2	2	\$1.12	\$0.56
27	BR250-621	842645038150	TEMPERATURE SWTICH (RADIATOR ON BACK)	1	1	\$25.44	\$12.72
28	BR250-186	842645018657	COLLAR, CHAIN GUARD	1	1	\$3.16	\$1.58
29	BR250-187	842645018664	BOLT, M12X1.25X70	1	1	\$1.62	\$0.81
30	BR250-188	842645018671	BOLT, M8X140 (RADIATOR ON SIDE)	1	1	\$1.26	\$0.63
30	BR250-622	842645038167	BOLT, M8X90 (RADIATOR ON BACK)	1	1	\$2.42	\$1.21
31	BR250-189	842645018688	BOLT, M6X12	2	2	\$1.52	\$0.76
32	BR250-190	842645018695	SPRING WASHER 6	2	2	\$1.08	\$0.54
33	BR250-191	842645018701	WASHER 6	2	2	\$1.24	\$0.62
34	BR250-192	842645018718	CHAIN GUARD	1	1	\$16.45	\$8.23
35	BR250-193	842645018725	BRACKET	1	1	\$4.20	\$2.10
36	BR250-194	842645018732	COLLAR, REVERSE	1	1	\$2.88	\$1.44
37	BR250-195	842645018749	REVERSE ASSEMBLY	1	1	\$414.30	\$207.15
38	BR250-196	842645018756	WASHER, REVERSE SHAFT	1	1	\$2.88	\$1.44
39	BR250-197	842645018763	NUT, M12X1.25	1	1	\$2.88	\$1.44

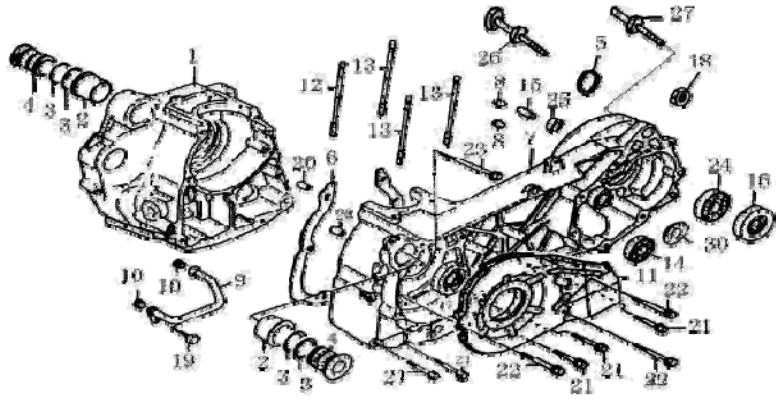

ENGINE								BR250
<p>EXPANDED DIAGRAM</p> <p>RADIATOR ON SIDE</p> 		 <p>RADIATOR ON BACK</p>						
Item No.	Part No.	UPC Number	Description	Qty per Order	Qty.	MSRP	Dealer Cost	
40	BR250-198	842645018770	COTTER PIN 3.2X22	1	1	\$1.04	\$0.52	
41	BR250-199	842645018787	SCREW, M5X35	2	2	\$1.06	\$0.53	
42	BR250-200	842645018794	SPRING WASHER 5	3	3	\$1.02	\$0.51	
43	BR250-201	842645018800	COLLAR	1	1	\$6.39	\$3.20	
44	BR250-202	842645018817	BOLT, M8X40	1	1	\$1.08	\$0.54	
45	BR250-203	842645018824	SPRING WASHER, 8	2	2	\$1.02	\$0.51	
46	BR250-204	842645018831	BOLT, M8X20	1	1	\$1.06	\$0.53	
47	BR250-205	842645018848	BOLT, M8X30	1	1	\$1.10	\$0.55	
48	BR250-206	842645018855	BOLT, M10X1.25X30	2	2	\$1.44	\$0.72	
49	BR250-207	842645018862	SPRING WASHER 10	2	2	\$1.04	\$0.52	
50	BR250-208	842645018879	WASHER 10	2	2	\$1.06	\$0.53	
51	BR250-209	842645018886	COVER, SMALL	1	1	\$8.46	\$4.23	
52	BR250-210	842645018893	COVER, LARGE	1	1	\$11.28	\$5.64	
53	BR250-211	842645018909	WATER PIPE (RADIATOR ON SIDE)	1	1	\$4.80	\$2.40	
53	BR250-623	842645038259	WATER PIPE (RADIATOR ON BACK)	1	1	\$7.20	\$3.60	
54	BR250-212	842645018916	CLAMP 12	2	2	\$2.12	\$1.06	

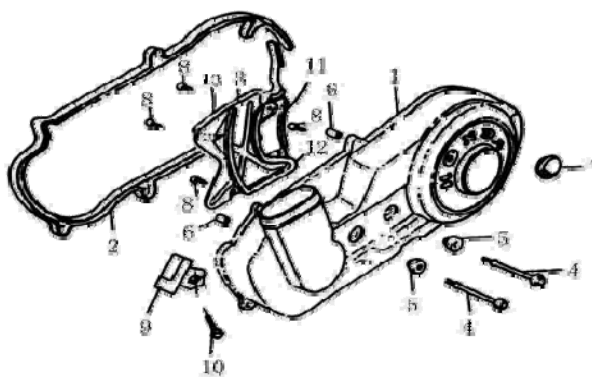



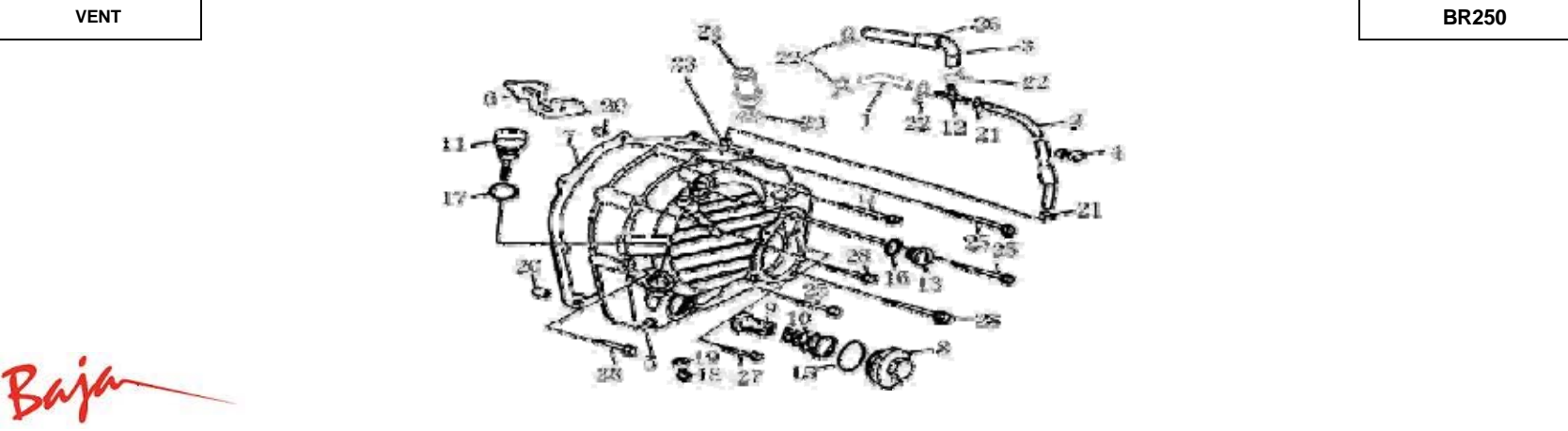
Item No.	Part No.	UPC Number	Description	Qty per Order	Qty.	MSRP	Dealer Cost
55	BR250-213	842645018923	RADIATOR (RADIATOR ON SIDE)	1	1	\$235.72	\$117.86
55	BR250-624	842645038266	RADIATOR (RADIATOR ON BACK)	1	1	\$236.72	\$118.36
56	BR250-214	842645018930	CAP, RADIATOR	1	1	\$9.14	\$4.57
57	BR250-215	842645018947	BOLT	2	4	\$1.40	\$0.70
58	BR250-216	842645018954	ELECTRIC FAN (RADIATOR ON SIDE)	1	1	\$78.58	\$39.29
58	BR250-625	842645038273	ELECTRIC FAN (RADIATOR ON BACK)	1	1	\$79.58	\$39.79
59	BR250-217	842645018961	BRACKET, RADIATOR	1	1	\$42.86	\$21.43
60	BR250-218	842645018978	BOLT M6X40	2	4	\$1.10	\$0.55
61	BR250-219	842645018985	SPRING WASHER 4 (RADIATOR ON SIDE)	2	4	\$1.24	\$0.62
61	BR250-626	842645038297	NUT, M12X1.25 (RADIATOR ON BACK)	1	1	\$1.32	\$0.66
62	BR250-220	842645018992	WASHER 4 (RADIATOR ON SIDE)	2	4	\$1.24	\$0.62
62	BR250-627	842645038358	MAIN WIRING HARNESS (RADIATOR ON BACK)	1	1	\$38.83	\$19.42
63	BR250-221	842645019005	TUBE CLAMP 32	2	2	\$4.56	\$2.28
64	BR250-222	842645019012	DRAIN PIPE (UPPER HOSE) (RADIATOR ON SIDE)	1	1	\$25.44	\$12.72
64	BR250-628	842645038365	DRAIN PIPE (RADIATOR ON BACK)	1	1	\$25.44	\$12.72
65	BR250-223	842645019029	HOSE, RADIATOR (LOWER HOSE) (RADIATOR ON SIDE)	1	1	\$34.92	\$17.46

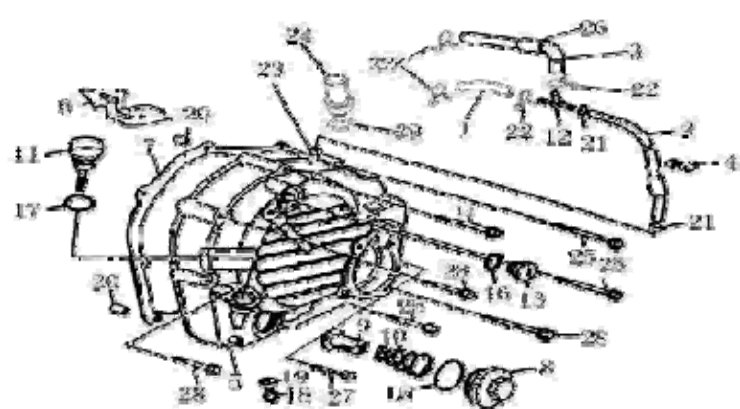



ENGINE		EXPANDED DIAGRAM					BR250	
Item No.	Part No.	UPC Number	Description	Qty per Order	Qty.	MSRP	Dealer Cost	
65	BR250-629	842645038372	FILL PIPE (RADIATOR ON BACK)	1	1	\$34.92	\$17.46	
66	BR250-224	842645019036	TUBE CLAMP 27 (RADIATOR ON SIDE)	2	2	\$4.56	\$2.28	
66	BR250-630	842645038389	WATER PIPE (RADIATOR ON BACK)	1	1	\$15.56	\$7.78	
67	BR250-225	842645019043	BOLT M8X50 (RADIATOR ON SIDE)	1	1	\$1.12	\$0.56	
67	BR250-631	842645038402	CIRCULATION PIPE (RADIATOR ON BACK)	1	1	\$14.84	\$7.42	
68	BR250-226	842645019050	WASHER 8 (RADIATOR ON SIDE)	1	1	\$1.06	\$0.53	
68	BR250-632	842645038525	CIRCULATION PIPE CLAMP (RADIATOR ON BACK)	1	1	\$1.06	\$0.53	
69	BR250-227	842645019074	RUBBER WASHER	1	1	\$1.32	\$0.66	
70	BR250-228	842645019081	BUSHING, WIND SCREEN	1	1	\$1.06	\$0.53	
71	BR250-229	842645019098	STAND, WIND SCREEN	1	1	\$8.46	\$4.23	
72	BR250-230	842645019104	BOLT M8X20	1	1	\$1.06	\$0.53	
73	BR250-231	842645019111	WIND SCREEN	1	1	\$16.45	\$8.23	
74	BR250-232	842645019128	HARNESS, SECONDARY WIRING	1	1	\$16.45	\$8.23	
75	BR250-233	842645019135	HARNESS, MAIN WIRING	1	1	\$38.83	\$19.42	
76	BR250-234	842645019142	EYE BOLT	1	1	\$8.46	\$4.23	
77	BR250-235	842645019159	NUT M12X1.25	1	1	\$1.26	\$0.63	
ENGINE							BR250	

CRANKCASE								BR250
								
								
Item No.	Part No.	UPC Number	Description	Qty per Order	Qty.	MSRP	Dealer Cost	
1	BR250-244	842645019241	CRANKCASE, RIGHT	1	1	\$160.00	\$80.00	
2	BR250-245	842645019258	OUTER BUSH. FR. SUSPENSION	2	2	\$3.37	\$1.69	
3	BR250-246	842645019265	O-RING15.8X2.4	2	4	\$1.10	\$0.55	
4	BR250-247	842645019272	INNER BUSH USH.FR. SUSPENSION	2	2	\$6.75	\$3.38	
5	BR250-248	842645019289	O- RING 7.5X1.5	1	1	\$2.13	\$1.07	
6	BR250-249	842645019296	GASKET, CRANKCASE	1	1	\$8.40	\$4.20	
7	BR250-250	842645019302	CRANKCASE, LEFT	1	1	\$306.67	\$153.34	
8	cancel				2			
9	BR250-251	842645019319	INNER MACHINE OIL PIPE COMP	1	1	\$2.37	\$1.19	
10	BR250-252	842645019326	INNER MACHINE OIL PIPE SEALING RING	2	2	\$1.16	\$0.58	
11	BR250-253	842645019333	HEAT INSULATION	1	1	\$12.37	\$6.19	
12	BR250-254	842645019340	STUD BOLT B	1	1	\$7.68	\$3.84	
13	BR250-255	842645019357	STUD BOLT A	3	3	\$2.41	\$1.21	
14	BR250-256	842645019364	BEARING	1	1	\$18.67	\$9.34	
15	cancel				1			
16	BR250-257	842645019371	OIL SEAL	1	1	\$6.68	\$3.34	

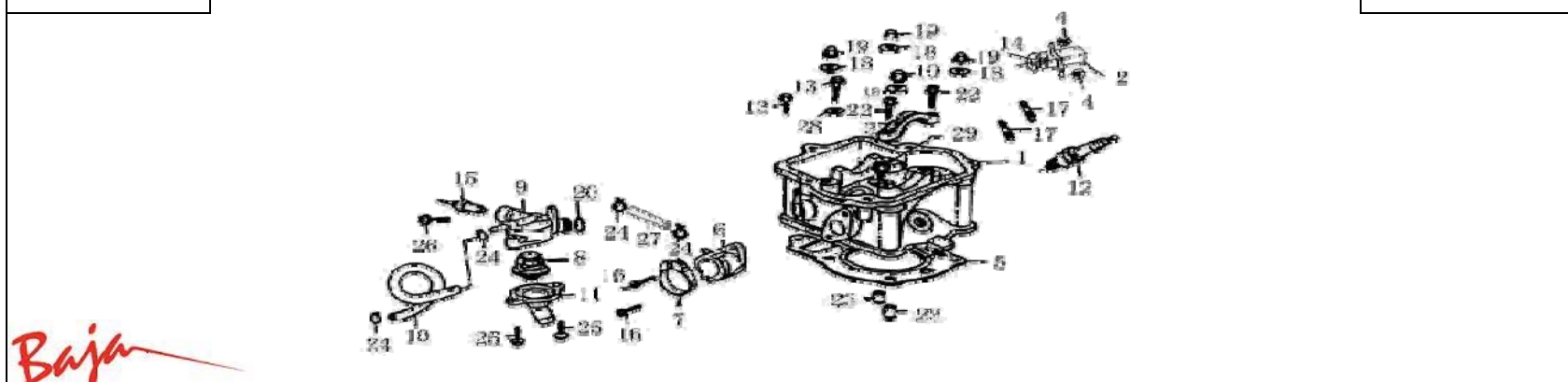
LEFT CASE COVER								BR250
								
								
Item No.	Part No.	UPC Number	Description	Qty per Order	Qty.	MSRP	Dealer Cost	
1	BR250-268	842645019487	COVER, LEFT CRANKCASE	1	1	\$133.35	\$66.68	
2	BR250-269	842645019494	WASHER CASE, L. COVER	1	1	\$12.80	\$6.40	
3	BR250-270	842645019500	VENT GUIDE PLATE	1	1	\$5.32	\$2.66	
4	BR250-271	842645019517	BOLT	2	2	\$1.20	\$0.60	
5	BR250-272	842645019524	RUBBER CUSHION	2	2	\$2.40	\$1.20	
6	BR250-273	842645019531	DOWEL PIN	2	2	\$1.10	\$0.55	
7	BR250-274	842645019555	CAP BOLT	1	1	\$4.80	\$2.40	
8	BR250-275	842645019562	CROSS RECESS PAN HEAD SCREW	2	4	\$1.08	\$0.54	
9	BR250-276	842645019579	FIXED CABLE CLIP COMP.	1	1	\$3.16	\$1.58	
10	BR250-277	842645019586	BOLT M6x16	1	1	\$1.12	\$0.56	
11	BR250-278	842645019593	DUSTPROOF BAR(A) INSIDE OF L.COVER.CASE	1	1	\$3.06	\$1.53	
12	BR250-279	842645019609	DUSTPROOF BAR(B) INSIDE OF L.COVER.CASE	1	1	\$2.42	\$1.21	
13	BR250-280	842645019616	WASHER, SEALING(INSIDE OF L.COVER.CASE)	1	1	\$4.62	\$2.31	

VENT								BR250
								
Item No.	Part No.	UPC Number	Description	Qty per Order	Qty.	MSRP	Dealer Cost	
1	BR250-281	842645019623	VENTILATE HOSE	1	1	\$8.46	\$4.23	
2	BR250-282	842645019630	VENTILATE HOSE	1	1	\$8.46	\$4.23	
3	BR250-283	842645019647	VENTILATE HOSE	1	1	\$8.46	\$4.23	
4	BR250-284	842645019654	HOSE FIXED CARD	1	1	\$2.10	\$1.05	
5	BR250-285	842645019661	COVER, RIGHT CRANKCASE	1	1	\$114.67	\$57.34	
6	BR250-286	842645019678	BAFFLE	1	1	\$3.26	\$1.63	
7	BR250-287	842645019685	GASKET, RIGHT CRANKCASE COVER	1	1	\$8.52	\$4.26	
8	BR250-288	842645019692	BOLT, OIL SCREEN COVER	1	1	\$6.72	\$3.36	
9	BR250-289	842645019708	OIL SCREEN	1	1	\$4.27	\$2.14	
10	BR250-290	842645019715	SPRING, OIL SCREEN	1	1	\$1.28	\$0.64	
11	BR250-291	842645019722	GAUGE OIL LEVEL	1	1	\$7.25	\$3.63	
12	BR250-292	842645019739	EXHAUST GAS BRANCH JOINT	1	1	\$3.12	\$1.56	
13	BR250-293	842645019746	BOLT	1	1	\$5.31	\$2.66	
14	BR250-294	842645019753	BOLTM6x80	1	1	\$4.20	\$2.10	
15	BR250-295	842645019760	O-RING 30X3.55	1	1	\$2.88	\$1.44	
16	BR250-296	842645019777	O RING	1	1	\$2.88	\$1.44	

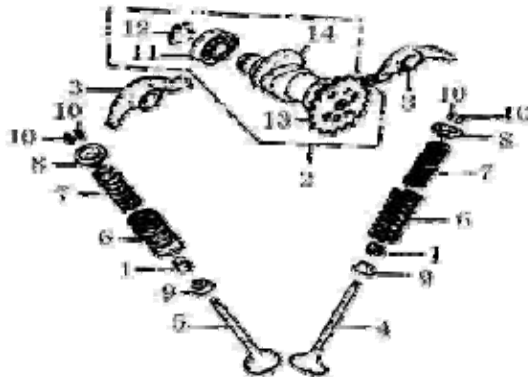

VENT								BR250
								
								
Item No.	Part No.	UPC Number	Description	Qty per Order	Qty.	MSRP	Dealer Cost	
17	BR250-297	842645019784	O-RING 18X3.55	1	1	\$2.88	\$1.44	
18	BR250-298	842645019791	OIL DRAINING BOLT M12x1.5	1	1	\$2.88	\$1.44	
19	BR250-299	842645019807	WASHER 12	1	1	\$1.14	\$0.57	
20	BR250-300	842645019814	DOWEL PIN	2	2	\$1.28	\$0.64	
21	BR250-301	842645019821	PIPE CLIP	2	2	\$1.04	\$0.52	
22	BR250-302	842645019845	PIPE CLIP	4	4	\$1.02	\$0.51	
23	BR250-303	842645019852	VENTILATE PIPE TIE-IN	1	1	\$1.06	\$0.53	
24	BR250-304	842645019869	EXCURRENT SIPHON TIE-IN	1	1	\$3.04	\$1.52	
25	BR250-305	842645019876	BOLT M6x40	4	3	\$1.92	\$0.96	
26	BR250-306	842645019883	VENTILATE RUBBER PIPE JACKET	1	1	\$2.55	\$1.28	
27	BR250-307	842645019890	BOLT M6x28	1	1	\$1.92	\$0.96	
28	BR250-308	842645019906	BOLT M6x70	4	3	\$2.88	\$1.44	
29	BR250-309	842645019913	O-RING 15.8X2.4	1	1	\$6.39	\$3.20	

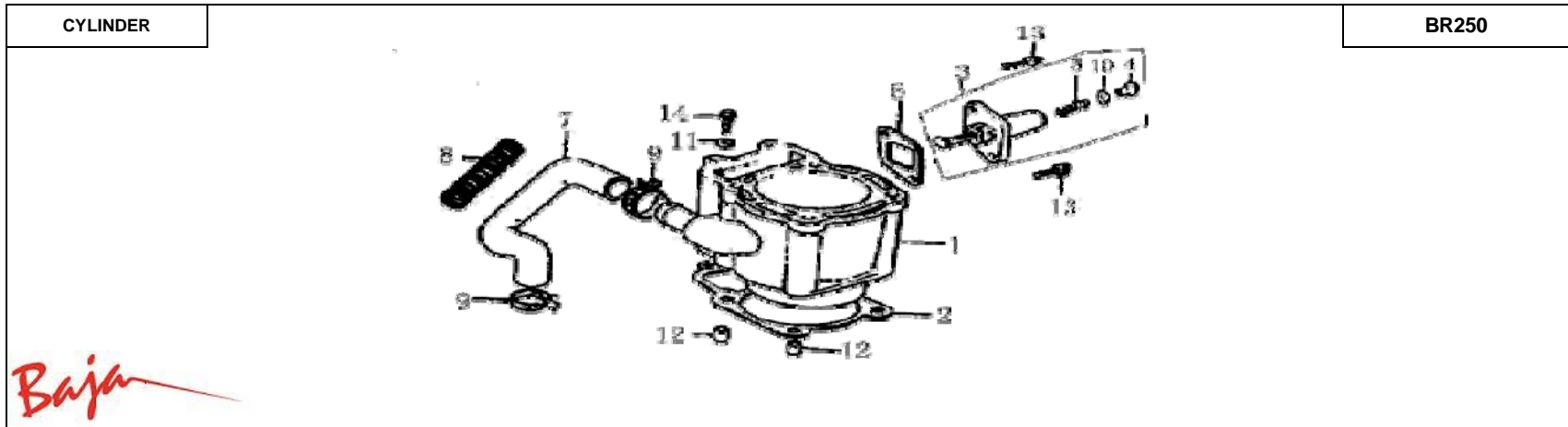
CYLINDER HEAD COVER			BR250							
			Item No.	Part No.	UPC Number	Description	Qty per Order	Qty.	MSRP	Dealer Cost
			1	BR250-310	842645019920	VITTA CLIP	1	1	\$2.14	\$1.07
	2	BR250-311	842645019937	COVER, CYLINDER HEAD	1	1	\$41.07	\$20.54		
	3	BR250-312	842645019944	BAFFLE	1	1	\$5.12	\$2.56		
	4	BR250-313	842645019951	GASKET, CYLINDER HEAD COVER	1	1	\$8.96	\$4.48		
	5	BR250-314	842645019968	ROCKER SHAFT COMP, VALUE IN	1	1	\$18.67	\$9.34		
	6	BR250-315	842645019975	ROCKER SHAFT COMP, VALUE OUT	1	1	\$18.67	\$9.34		
	7	BR250-316	842645019982	OUTER MACHINE OIL PIPE COMP	1	1	\$29.64	\$14.82		
	8	BR250-317	842645019999	OIL PIPE RUBBER RING	1	1	\$2.88	\$1.44		
	9	BR250-318	842645020001	OIL PIPE STAND	1	1	\$5.64	\$2.82		
	10	BR250-319	842645020018	SHOCK ABSORPTION ADHESIVE TAPEY	1	1	\$2.88	\$1.44		
	11	BR250-320	842645020025	GENERAL BOLT A M8X25	1	1	\$5.64	\$2.82		
	12	BR250-321	842645020032	GENERAL BOLT B M12X12.5	1	1	\$5.64	\$2.82		
	13	BR250-322	842645020049	GENERAL BOLT C M8X25	1	1	\$5.64	\$2.82		
	14	BR250-323	842645020056	UPPER CAP	1	1	\$5.31	\$2.66		
	15	BR250-324	842645020063	WASHER 8	4	3	\$1.13	\$0.57		
	16	BR250-325	842645020070	WASHER	2	1	\$1.92	\$0.96		

CYLINDER HEAD COVER			BR250					
Item No.	Part No.	UPC Number	Description	Qty per Order	Qty.	MSRP	Dealer Cost	
17	BR250-326	842645020087	WASHER 12	2	2	\$1.14	\$0.57	
18	BR250-327	842645020094	O RING	1	1	\$2.88	\$1.44	
19	BR250-328	842645020100	O RING	2	2	\$2.28	\$1.14	
20	BR250-329	842645020117	BOLT M5X16	1	1	\$1.14	\$0.57	
21	BR250-330	842645020124	WASHER	2	2	\$1.24	\$0.62	
22	BR250-331	842645020131	DOWEL PIN	2	2	\$1.24	\$0.62	
23	BR250-332	842645020148	BOLT M6x12	4	3	\$1.14	\$0.57	
24	BR250-333	842645020155	BOLT M6x25	2	1	\$1.24	\$0.62	
25	BR250-334	842645020162	BOLT M6x50	4	3	\$1.92	\$0.96	
26	BR250-335	842645020179	BOLT M6x55	2	1	\$1.92	\$0.96	
27	BR250-336	842645020186	SHOCK ABSORPTION BUSH	1	1	\$5.64	\$2.82	
28			VENTILATING PIPE TIE-IN		1			
29	BR250-337	842645020193	AIR FILTER RIGID BEARING	1	1	\$10.64	\$5.32	
30	BR250-338	842645020209	SEPARATOR KIT (INSIDE OF CYLINDER HEAD COVER)	1	1	\$11.26	\$5.63	

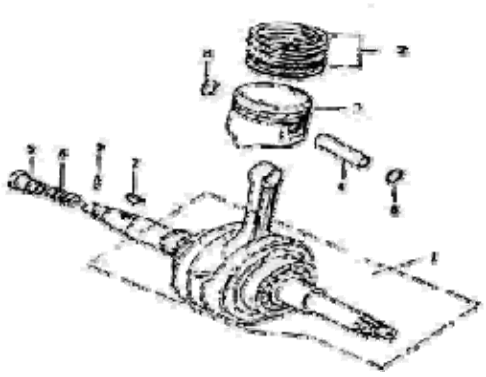

CYLINDER HEAD		BR250						
								
Item No.	Part No.	UPC Number	Description	Qty per Order	Qty.	MSRP	Dealer Cost	
1	BR250-339	842645020216	CYLINDER HEAD	1	1	\$168.00	\$84.00	
2	BR250-340	842645020223	VENT-PIPE FLANGE COMP	1	1	\$24.71	\$12.36	
3	BR250-341	842645020230	CAMSHAFT FIXED STAND	1	1	\$8.46	\$4.23	
4	BR250-342	842645020247	NUT	2	2	\$1.14	\$0.57	
5	BR250-343	842645020254	GASKET, CYLINDER HEAD	1	1	\$20.54	\$10.27	
6	BR250-344	842645020261	INTAKE PIPE	1	1	\$18.68	\$9.34	
7	BR250-345	842645020278	CLIP COMP	1	1	\$4.80	\$2.40	
8	BR250-346	842645020285	THERMOSTAT	1	1	\$109.34	\$54.67	
9	BR250-347	842645020292	CONSTANT TEMPERATURE IMPLEMENT COMP	1	1	\$4.27	\$2.14	
10	BR250-348	842645020308	CARBURETOR COOLING RUBBER PIPE I	1	1	\$14.94	\$7.47	
11	BR250-349	842645020315	COVER, CONSTANT TEMPERATURE IMPLEMENT	1	1	\$18.67	\$9.34	
12	BR250-350	842645020322	SPARK PLUG	1	1	\$20.50	\$10.25	
13	BR250-351	842645020339	BOLT M6X25	2	2	\$1.52	\$0.76	
14	BR250-352	842645020346	VENT-PIPE SEALING BUSH	1	1	\$5.64	\$2.82	
15	BR250-353	842645020353	WATER TEMPERATURE SENSOR	1	1	\$18.13	\$9.07	
16	BR250-354	842645020360	BOLT-M6x18-D.CR	2	2	\$1.24	\$0.62	

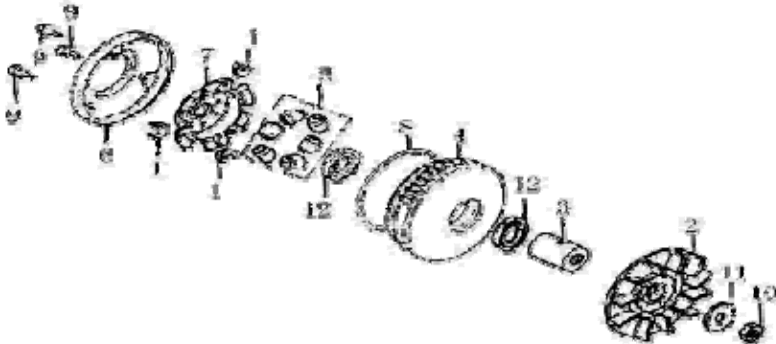

CYLINDER HEAD			BR250					
Item No.	Part No.	UPC Number	Description	Qty per Order	Qty.	MSRP	Dealer Cost	
17	BR250-355	842645020377	STUD BOLT	2	2	\$1.07	\$0.54	
18	BR250-356	842645020391	WASHER	4	4	\$1.14	\$0.57	
19	BR250-357	842645020407	NUT	4	4	\$2.28	\$1.14	
20	BR250-358	842645020414	O-RING 14.8X1.9	1	1	\$1.44	\$0.72	
22	BR250-359	842645020421	BOLT M6x22	2	2	\$2.88	\$1.44	
23	BR250-360	842645020438	DOWEL PIN	2	2	\$1.92	\$0.96	
24	BR250-361	842645020445	PIPE CLIP	2	2	\$1.44	\$0.72	
25	BR250-362	842645020452	BOLT M6x16	2	2	\$1.92	\$0.96	
26	BR250-363	842645020469	BOLT M6x18	2	1	\$1.92	\$0.96	
27	BR250-364	842645020476	CARBURETOR HOSE	1	1	\$4.28	\$2.14	
28	BR250-365	842645020483	WASHER	2	1	\$1.44	\$0.72	
29	BR250-366	842645020490	BOLT M12x1	2	1	\$1.12	\$0.56	

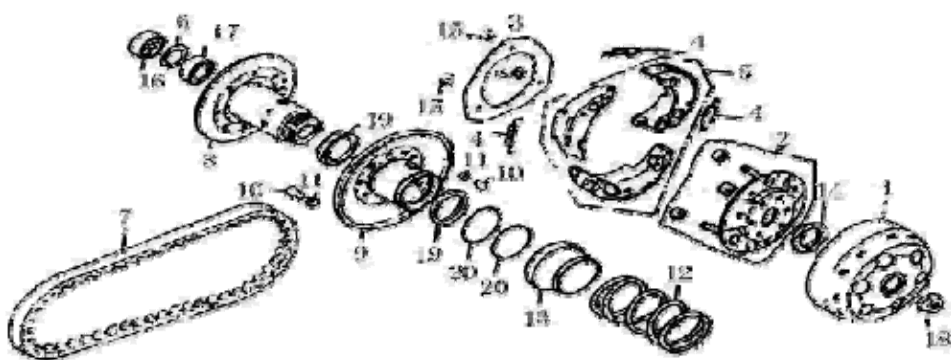

VALVES			BR250					
								
								
Item No.	Part No.	UPC Number	Description	Qty per Order	Qty.	MSRP	Dealer Cost	
1	BR250-367	842645020506	OIL SEAL, VALVE	2	2	\$1.28	\$0.64	
2	BR250-368	842645020513	CAMSHAFT ASSEMBLY	1	1	\$70.68	\$35.34	
3	BR250-369	842645020520	ROCKER VALVE	1	2	\$28.80	\$14.40	
4	BR250-370	842645020537	INTAKE VALVE	1	1	\$30.40	\$15.20	
5	BR250-371	842645020544	EXHAUST VALVE	1	1	\$30.40	\$15.20	
6	BR250-372	842645020551	SPRING, OUTER VALVE	2	2	\$5.56	\$2.78	
7	BR250-373	842645020568	SPRING, INNER VALVE	2	2	\$4.28	\$2.14	
8	BR250-374	842645020575	SEAT VALVE SPRING UPPER	2	2	\$4.12	\$2.06	
9	BR250-375	842645020582	SEAT VALVE SPRING LOWER	2	2	\$3.48	\$1.74	
10	BR250-376	842645020599	COTTER VALVE	2	4	\$2.14	\$1.07	
11			BEARING 16002		2			
12			ELASTIC DAMPING RING15		1			
13			TIMING DRIVEN SPROCKET		1			
14			CAMSHAFT		1			

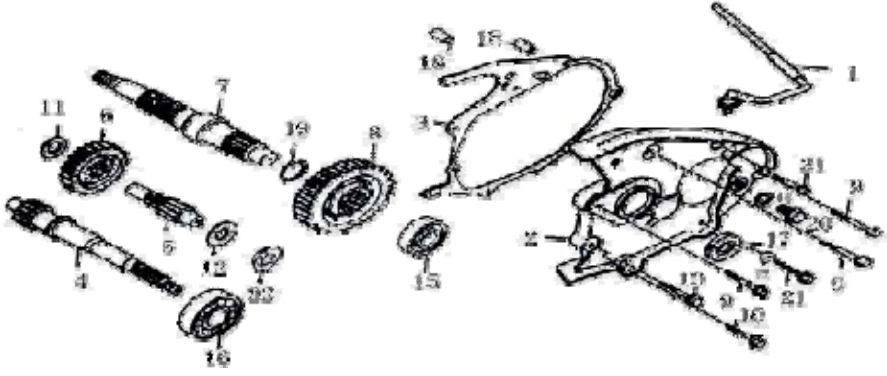



Item No.	Part No.	UPC Number	Description	Qty per Order	Qty.	MSRP	Dealer Cost
1	BR250-377	842645020605	CYLINDER	1	1	\$204.00	\$102.00
2	BR250-378	842645020612	GASKET, CYLINDER	1	1	\$5.98	\$2.99
3	BR250-379	842645020629	TIGHTENER ASSEMBLY	1	1	\$9.42	\$4.71
4			BOLT		1		
5			TENSIONING		1		
6	BR250-380	842645020636	GASKET, TENSIONER	1	1	\$4.24	\$2.12
7	BR250-381	842645020643	WATER PIPE	1	1	\$17.50	\$8.75
8	BR250-382	842645020650	WATER PIPE JACKET	1	1	\$3.62	\$1.81
9	BR250-383	842645020667	CLIP B24	2	2	\$1.28	\$0.64
10			WASHER		1		
11	BR250-384	842645020674	WASHER	1	1	\$1.25	\$0.63
12	BR250-385	842645020681	DOWEL PIN	2	2	\$1.26	\$0.63
13	BR250-386	842645020698	BOLT M6X18	2	2	\$1.12	\$0.56
14	BR250-387	842645020704	BOLT M6X22	1	1	\$1.28	\$0.64

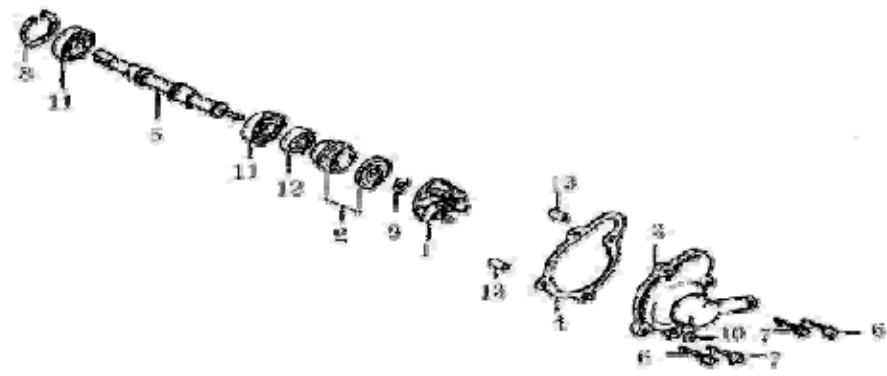

CRANKSHAFT		BR250						
								
								
Item No.	Part No.	UPC Number	Description	Qty per Order	Qty.	MSRP	Dealer Cost	
1	BR250-401	842645020841	CRANKSHAFT	1	1	\$366.68	\$183.34	
			PISTON RING A		1			
			PISTON RING B		1			
2	BR250-402	842645020858	PISTON RINGS	1	1	\$53.34	\$26.67	
3	BR250-403	842645020865	PISTON	1	1	\$38.12	\$19.06	
4	BR250-404	842645020872	PIN, PISTON	1	1	\$4.80	\$2.40	
5	BR250-405	842645020889	OIL DUCT TIE-IN	1	1	\$4.42	\$2.21	
6	BR250-406	842645020896	OIL DUCT TIE-IN SPRING	1	1	\$2.56	\$1.28	
7	BR250-407	842645020902	WOODRUFF KEY 25x14x4	1	1	\$1.28	\$0.64	
8	BR250-408	842645020919	CLIP, PISTON PIN	2	2	\$2.14	\$1.07	
9	BR250-409	842645020926	CYLINDER PIN	1	1	\$1.26	\$0.63	

DRIVE PULLEY									BR250
									
									
Item No.	Part No.	UPC Number	Description	Qty per Order	Qty.	MSRP	Dealer Cost		
	BR250-410	842645020933	CLUTCH, DRIVE	1	1	\$120.00	\$60.00		
1			SLIDE BLOCK		3				
2			DRIVE DISK		1				
3			BUSH		1				
4			MOVABLE DRIVING DISK COMP.		1				
5			ROLLER COMP WEIGHT		6				
6			DUST PROOF COVER		1				
7			GARTER DISK		1				
8			O-RING 112×2.65		1				
9			BOLT COMP.		3				
10			TAPE REEL NUT M14×1.5		1				
11			WASHER 14.5×30×2		1				
12			OIL SEAL 27×34×3.5		2				

DRIVEN PULLEY		BR250						
								
								
Item No.	Part No.	UPC Number	Description	Qty per Order	Qty.	MSRP	Dealer Cost	
1	BR250-411	842645020940	CLUTCH, DRIVEN	1	1	\$320.00	\$160.00	
2			DRIVING PLATE COMP.		1			
3			SIDE PLATE, CLUTCH		1			
4			SPRING CLUTCH		1			
5	BR250-412	842645020957	CLUTCH SHOES	3	3	\$16.92	\$8.46	
6			BUSH, CLUTCH28		3			
7	BR250-413	842645020964	BELT, DRIVE	1	1	\$79.96	\$39.98	
8			FIXED DISK COMP.		1			
9			MOVABLE DISK COMP.		1			
10			PIN, ROLLER GUIDE		1			
11			GUIDING ROLLER		4			
12			SPRING, DRIVEN DISK		4			
13			BUSH, SPRING		1			
14			NUT M30X1		1			
15			LOCK NUT M12x1.25		1			
16			WASHER 12		3			

TRANSMISSION SHAFTS		BR250						
								
								
Item No.	Part No.	UPC Number	Description	Qty per Order	Qty.	MSRP	Dealer Cost	
1	BR250-414	842645020971	VENT TUBE	1	1	\$7.38	\$3.69	
2	BR250-415	842645020988	COVER TRANSMISSION CASE	1	1	\$65.88	\$32.94	
3	BR250-416	842645020995	WASHER, TRANSMISSION CASE	1	1	\$9.44	\$4.72	
4	BR250-417	842645021008	TRANSMISSION MAIN SHAFT	1	1	\$47.04	\$23.52	
5	BR250-418	842645021015	SMALL SHAFT	1	1	\$47.05	\$23.53	
6	BR250-419	842645021022	MIDDER GEAR	1	1	\$47.04	\$23.52	
7	BR250-420	842645021039	TRANSMISSION SIDE SHAFT	1	1	\$41.20	\$20.60	
8	BR250-421	842645021046	END GEAR	1	1	\$42.36	\$21.18	
9	BR250-422	842645021053	BOLT M8x38	3	3	\$4.20	\$2.10	
10	BR250-423	842645021060	BOLT M8x28	2	2	\$4.20	\$2.10	
11	BR250-424	842645021077	WASHER 14	1	1	\$2.88	\$1.44	
12	BR250-425	842645021084	WASHER 14	1	1	\$2.88	\$1.44	
13	BR250-426	842645021091	WASHER 6	1	1	\$1.44	\$0.72	
14	BR250-427	842645021107	WASHER 10	1	1	\$1.44	\$0.72	
15	BR250-428	842645021114	BEARING 6304	1	1	\$29.64	\$14.82	
16	BR250-429	842645021121	BEARING 22x50x14	1	1	\$41.20	\$20.60	

OIL PUMP									BR250
Item No.	Part No.	UPC Number	Description	Qty per Order	Qty.	MSRP	Dealer Cost		
1	BR250-436	842645021206	OIL PUMP	1	1	\$27.18	\$13.59		
2			OIL PUMP RIND BODY		1				
3			OIL PUMP COVER		1				
4			OIL PUMP AXES		1				
5	BR250-437	842645021213	SPROCKET, OIL PUMP	1	1	\$7.20	\$3.60		
6	BR250-438	842645021220	CHAIN, OIL PUMP	1	1	\$14.94	\$7.47		
7			OIL PUMP INTERNAL ROTOR		1				
8			OIL PUMP OUTER ROTOR		1				
9	BR250-439	842645021237	OIL SEPARATOR UNDER	1	1	\$12.00	\$6.00		
10	BR250-440	842645021244	OIL SEPARATOR ABOVE	1	1	\$12.00	\$6.00		
11			BOLT M3X12		1				
12			PIN		1				
13	BR250-441	842645021251	TIMMING DRIVER SPROCKET	1	1	\$2.56	\$1.28		
14	BR250-442	842645021268	BOLT M6X12	1	1	\$1.28	\$0.64		
15	BR250-443	842645021275	BOLT M6X28	2	2	\$1.52	\$0.76		

WATER PUMP			BR250					
								
								
Item No.	Part No.	UPC Number	Description	Qty per Order	Qty.	MSRP	Dealer Cost	
1	BR250-444	842645021282	WATER PUMP IMPELLER	1	1	\$8.40	\$4.20	
2	BR250-445	842645021299	WATER BACKFILL COMP.	1	1	\$6.84	\$3.42	
3	BR250-446	842645021305	COVER, WATER PUMP	1	1	\$12.80	\$6.40	
4	BR250-447	842645021312	GASKET, WATER PUMP COVER	1	1	\$3.42	\$1.71	
5	BR250-448	842645021329	SHAFT, WATER PUMP	1	1	\$12.80	\$6.40	
6	BR250-449	842645021336	BOLT M6X40	2	2	\$1.48	\$0.74	
7	BR250-450	842645021343	BOLT M6X25	2	2	\$1.26	\$0.63	
8	BR250-451	842645021350	CIRCLIP	1	1	\$1.10	\$0.55	
9	BR250-452	842645021367	WASHER 7.5X13X1.2	1	1	\$1.10	\$0.55	
10	BR250-453	842645021374	WASHER 6X12X1	1	1	\$2.12	\$1.06	
11	BR250-454	842645021381	BEARING 6800	2	2	\$20.54	\$10.27	
12	BR250-455	842645021398	OIL SEAL 10X20X5	1	1	\$5.52	\$2.76	
13	BR250-456	842645021404	DOWEL PIN	2	2	\$1.24	\$0.62	

