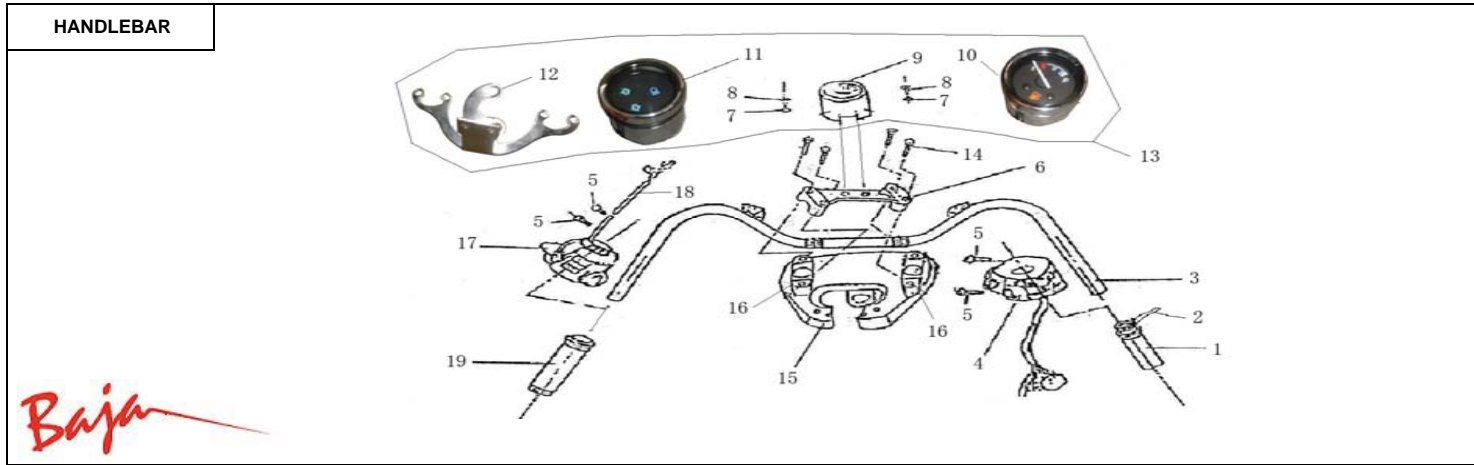


RT150

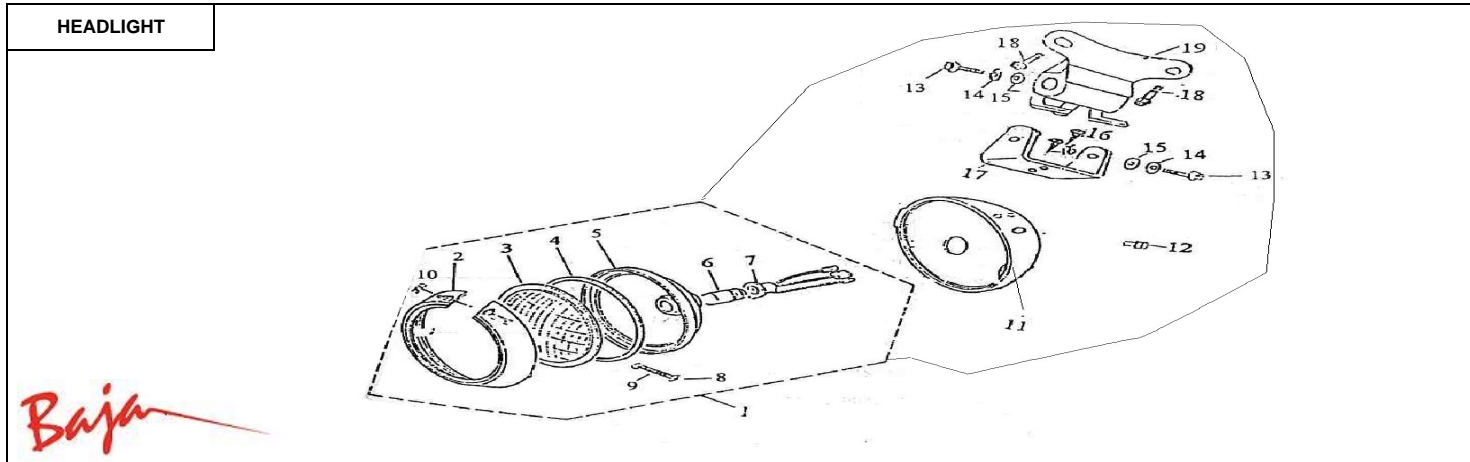


| HANDLEBAR | | | | | |
|-----------|-----------|--------------|------------------------------------|---|---|
| Item No. | Part No. | | | | |
| 1 | RT150-100 | 883099059148 | GRIP, RIGHT | 1 | 1 |
| 2 | RT150-101 | 883099059155 | CABLE, THROTTLE | 1 | 1 |
| 3 | RT150-102 | 883099059186 | HANDER COMP.STEELING | 1 | 1 |
| 4 | RT150-103 | 883099059193 | SWITCH, RIGHT | 1 | 1 |
| 5 | RT150-104 | 883099059209 | SCREW | 2 | 4 |
| 6 | RT150-105 | 883099059216 | FIXING SEAT UPPER, STEERING HANDLE | 1 | 2 |
| 7 | RT150-106 | 883099059223 | WASHERΦ5 | 2 | 2 |
| 8 | RT150-107 | 883099059230 | SCREW M5X16 | 2 | 2 |
| 9 | | | SPEEDOMETER | | 1 |
| 10 | | | OIL LEVEL WATCH | | 1 |
| 11 | | | CONVERTING INSTRUCTION WATCH | | 1 |
| 12 | RT150-108 | 883099059247 | BRACKET, SPEEDOMETER | 1 | 1 |
| 13 | RT150-109 | 883099059254 | SPEEDOMETER | 1 | 1 |
| 14 | RT150-110 | 883099059261 | BOLT FLANGE M8X40 | 2 | 4 |
| 15 | RT150-111 | 883099059278 | STEERING HANDLE SEAT | 1 | 1 |
| 16 | RT150-112 | 883099059285 | BRACKET, LOWER HANDLEBAR | 1 | 4 |
| | | | | | |
| | | | | | |
| | | | | | |

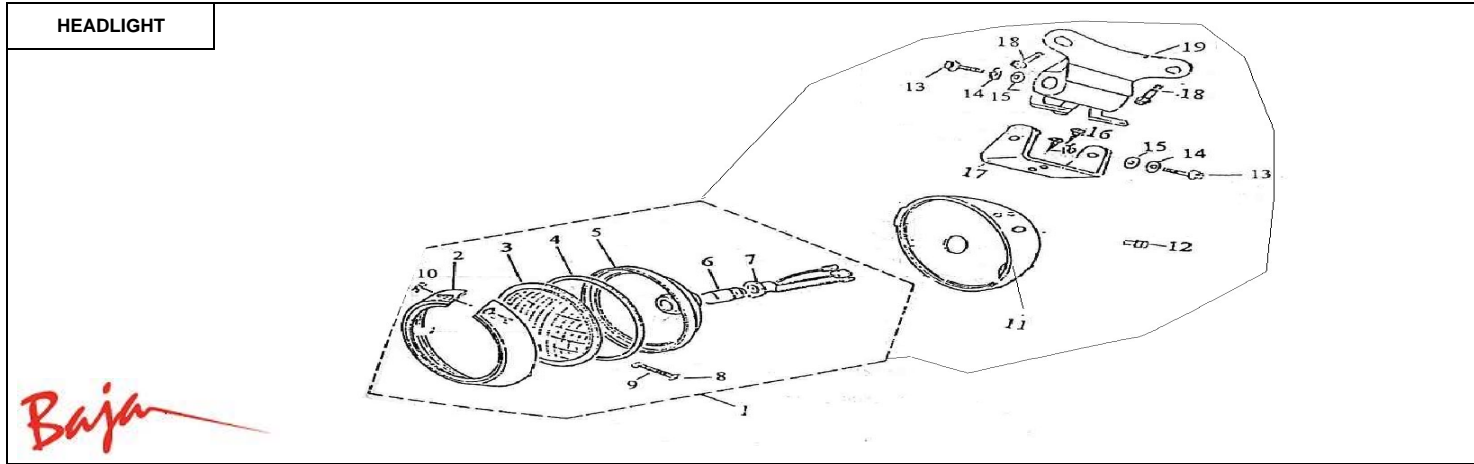


| Item No. | Part No. | UPC Number | Description | Qty Shipped per order | Qty. |
|----------|-----------|--------------|--------------------|-----------------------|------|
| 17 | RT150-113 | 883099059292 | SWITCH, LEFT | 1 | 1 |
| 18 | RT150-114 | 883099059308 | SWITCH, FRONT STOP | 1 | 1 |
| 19 | RT150-115 | 883099059315 | GRIP, LEFT | 1 | 1 |
| | | | | | |
| | | | | | |
| | | | | | |
| | | | | | |
| | | | | | |
| | | | | | |
| | | | | | |
| | | | | | |
| | | | | | |
| | | | | | |
| | | | | | |
| | | | | | |
| | | | | | |
| | | | | | |
| | | | | | |
| | | | | | |

| TURN LIGHTS | | | | | |
|-------------|-----------|--------------|------------------------|-----------------------|------|
| | | | | | |
| | | | | | |
| Item No. | Part No. | UPC Number | Description | Qty Shipped per order | Qty. |
| 1 | | | LEN.WINKER FR | 1 | 2 |
| 2 | | | TAPPING SCREW ST4.2X16 | 2 | 2 |
| 3 | RT150-116 | 883099059322 | BULB 12V 5W | 1 | 2 |
| 4 | | | BOLT FLANGE M6X16 | 2 | 2 |
| 5 | | | NUT FLANGE FR | 2 | 2 |
| 6 | | | BODY WINKER FR | 1 | 2 |
| 7 | RT150-117 | 883099059339 | SIGNAL, LEFT FRONT | 1 | 1 |
| 8 | RT150-118 | 883099059346 | SIGNAL, RIGHT FRONT | 1 | 1 |
| 9 | RT150-119 | 883099059407 | COVER, UPPER | 1 | 1 |
| 10 | RT150-120 | 883099059414 | COVER, LOWER | 1 | 1 |
| 11 | RT150-121 | 883099059421 | SCREW M6X18 | 2 | 2 |
| 12 | RT150-122 | 883099059438 | NUT SPRING ST4.2 | 2 | 2 |
| | | | | | |
| | | | | | |
| | | | | | |
| | | | | | |
| | | | | | |
| | | | | | |
| | | | | | |
| | | | | | |
| | | | | | |
| | | | | | |
| | | | | | |
| | | | | | |

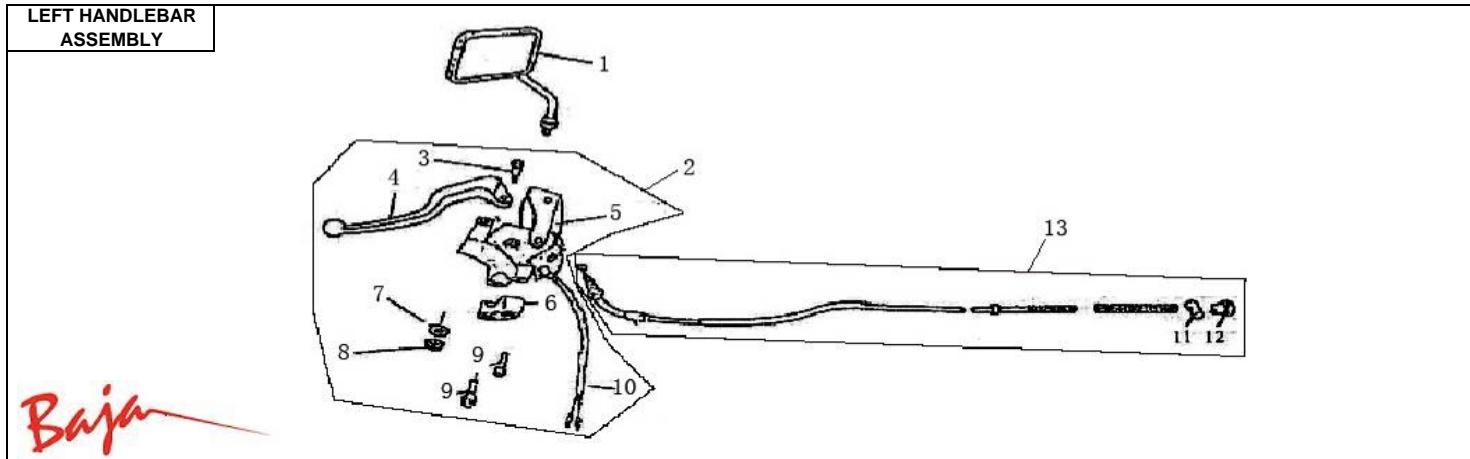


| Item No. | Part No. | UPC Number | Description | Qty Shipped per order | Qty. |
|----------|-----------|--------------|----------------------------|-----------------------|------|
| 1 | RT150-123 | 883099059452 | HEADLIGHT | 1 | 1 |
| 2 | | | BRAKET HEAKLIGHT UNIT | | 1 |
| 3 | | | LEN.HEADLIGHT UNIT | | 1 |
| 4 | | | WASHER LOCK | | 1 |
| 5 | | | REFLECTION HEADLIGHT UNIT | | 1 |
| 6 | RT150-124 | 883099059513 | BULB, HEADLIGHT | 1 | 1 |
| 7 | | | SOCKET COMP.HEADLIGHT UNIT | | 1 |
| 8 | | | SCREW M3X16 | | 1 |
| 9 | | | WASHER 3 | | 1 |
| 10 | | | UNT M3 | | 1 |
| 11 | | | HEADLIGHT UNIT | | 1 |
| 12 | | | RUBBER BUSH | | 1 |
| 13 | | | BOLT M8X12 | | 2 |
| 14 | | | WASHER 8 | | 2 |
| 15 | | | SPRING WASHER 8 | | 2 |
| 16 | | | SCREW M5X10 | | 2 |
| | | | | | |
| | | | | | |
| | | | | | |

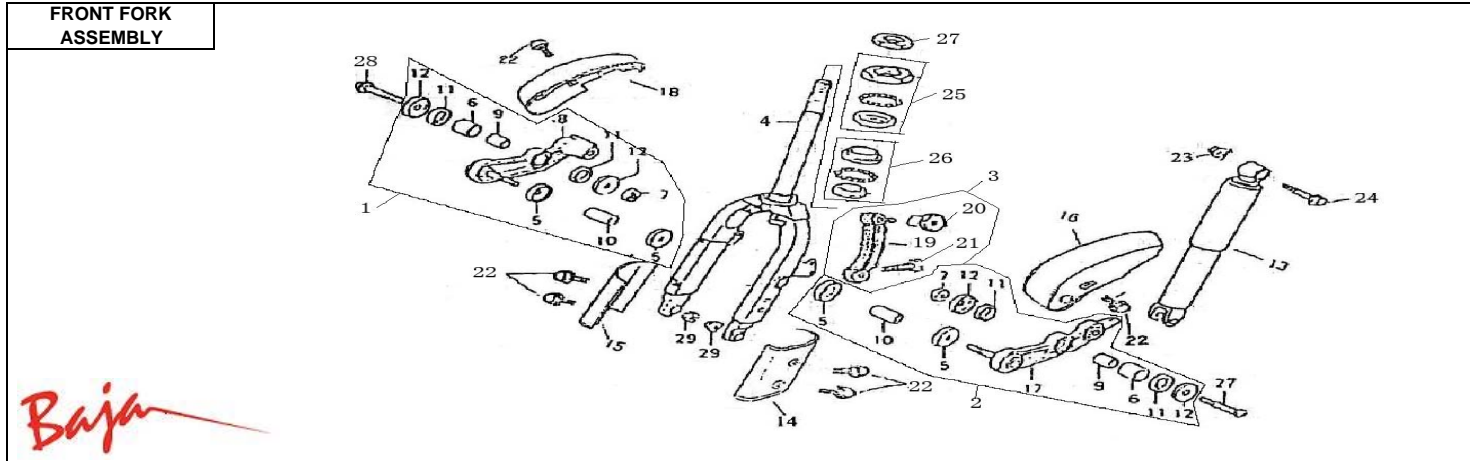


| Item No. | Part No. | UPC Number | Description | Qty Shipped per order | Qty. |
|----------|----------|------------|--------------------------|-----------------------|------|
| 17 | | | CONNECTER HEADLIGHT UNIT | | 1 |
| 18 | | | BOLT FLANGE M6X12 | | 2 |
| 19 | | | BRAKET HEADLIGHT UNIT | | 1 |
| | | | | | |
| | | | | | |
| | | | | | |
| | | | | | |
| | | | | | |
| | | | | | |
| | | | | | |
| | | | | | |
| | | | | | |
| | | | | | |
| | | | | | |
| | | | | | |
| | | | | | |
| | | | | | |
| | | | | | |
| | | | | | |
| | | | | | |
| | | | | | |
| | | | | | |

| RIGHT HANDLEBAR ASSEMBLY | | | | | |
|--------------------------|-----------|--------------|--|-----------------------|------|
| | | | | | |
| Item No. | Part No. | UPC Number | Description | Qty Shipped per order | Qty. |
| 1 | | | BOLT M6X20 | | 2 |
| 2 | | | BOLT M6X35 | | 1 |
| 3 | | | NUT FLANGE M6 | | 1 |
| 4 | | | LEVER R.STEERING HANDLE | | 1 |
| 5 | RT150-125 | 883099059551 | MASTER CYLINDER | 1 | 1 |
| 6 | RT150-126 | 883099059599 | CALIPER, FRONT | 1 | 1 |
| 7 | RT150-127 | 883099059629 | WASHER | 2 | 4 |
| 8 | RT150-128 | 883099059681 | BOLT | 2 | 2 |
| 9 | RT150-129 | 883099059766 | HOSE, FRONT BRAKE | 1 | 1 |
| 10 | RT150-130 | 883099059797 | PADS, FRONT BRAKE | 1 SET | 2 |
| 11 | | | DISC BRAKE | | 1 |
| 12 | | | SWITCH, FRONT STOP (AVAILABLE WITH ITEM 5) | | 1 |
| 13 | RT150-131 | 883099059803 | MIRROR, RIGHT REAR VIEW | 1 | 1 |
| | | | | | |
| | | | | | |
| | | | | | |
| | | | | | |
| | | | | | |



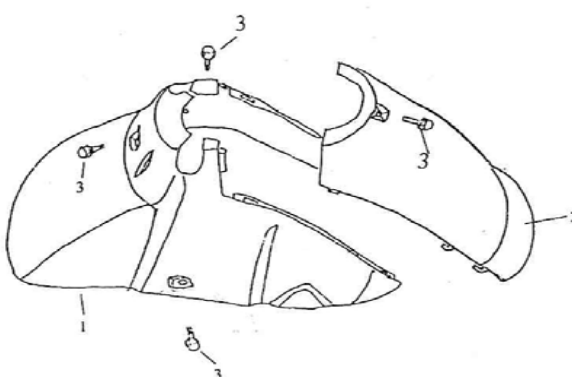
| Item No. | Part No. | UPC Number | Description | Qty Shipped per order | Qty. |
|----------|-----------|--------------|---|-----------------------|------|
| 1 | RT150-132 | 883099059872 | MIRROR, LEFT REAR VIEW | 1 | 1 |
| 2 | RT150-133 | 883099059889 | LEVER, LEFT BRAKE | 1 | 1 |
| 3 | | | BOLT M6X32 (AVAILABLE WITH ITEM 2) | | 1 |
| 4 | | | LEVER L.STEERING HANDLE (AVAILABLE WITH ITEM 2) | | 1 |
| 5 | | | BRACKET HANDLE (AVAILABLE WITH ITEM 2) | | 1 |
| 6 | | | BAND HANDLE BRACKET (AVAILABLE WITH ITEM 2) | | 1 |
| 7 | | | WASHERΦ6 (AVAILABLE WITH ITEM 2) | | 1 |
| 8 | | | NUT FLANGE M6 (AVAILABLE WITH ITEM 2) | | 1 |
| 9 | | | BOLT M6X20 (AVAILABLE WITH ITEM 2) | | 2 |
| 10 | | | SWITCH, REAR STOP (AVAILABLE WITH ITEM 2) | | 1 |
| 11 | RT150-134 | 883099059964 | JOINT B BRAKE ARM (AVAILABLE WITH ITEM 13) | 1 | 1 |
| 12 | RT150-135 | 883099060045 | NUT B ADJUST (AVAILABLE WITH ITEM 13) | 1 | 1 |
| 13 | RT150-136 | 883099060120 | CABLE, REAR BRAKE | 1 | 1 |
| | | | | | |
| | | | | | |
| | | | | | |
| | | | | | |
| | | | | | |
| | | | | | |

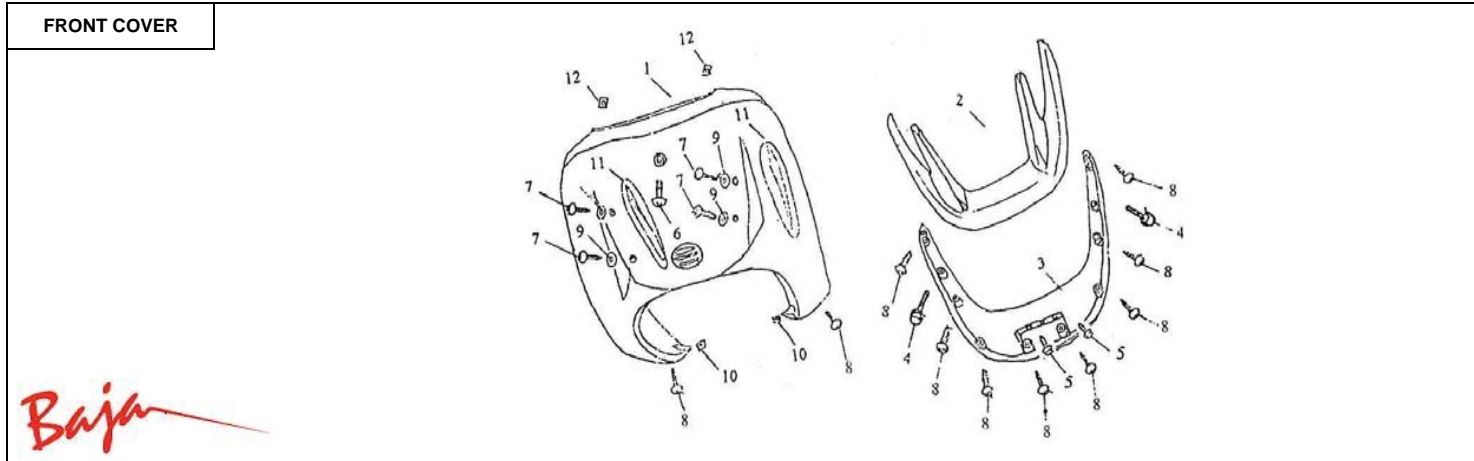


Baja

| Item No. | Part No. | UPC Number | Description | Qty Shipped per order | Qty. |
|----------|-----------|--------------|----------------------------------|-----------------------|------|
| 1 | RT150-137 | 883099060137 | R ROCKER ASSY | 1 | 1 |
| 2 | RT150-138 | 883099060144 | L ROCKER ASSY | 1 | 1 |
| 3 | RT150-139 | 883099060168 | DISC BRAKE ROCKER ASSY | 1 | 1 |
| 4 | RT150-140 | 883099060212 | FONT FORK | 1 | 1 |
| 5 | RT150-141 | 883099060229 | DUST SEAL | 2 | 4 |
| 6 | RT150-142 | 883099060274 | BUSHING | 2 | 2 |
| 7 | RT150-143 | 883099060342 | NUT M10X1.25 | 2 | 2 |
| 8 | RT150-144 | 883099060380 | ROCKER, RIGHT | 1 | 1 |
| 9 | RT150-145 | 883099060540 | BUSHING | 2 | 2 |
| 10 | RT150-146 | 883099060557 | BUSHING | 2 | 2 |
| 11 | RT150-147 | 883099060755 | CUSHION | 2 | 4 |
| 12 | RT150-148 | 883099060786 | CUSHION | 2 | 4 |
| 13 | RT150-149 | 883099060809 | SHOCK ABSORBER, LEFT/RIGHT FRONT | 1 | 2 |
| 14 | RT150-150 | 883099060823 | COVER, LEFT SHOCK | 1 | 1 |
| | | | | | |
| | | | | | |
| | | | | | |
| | | | | | |

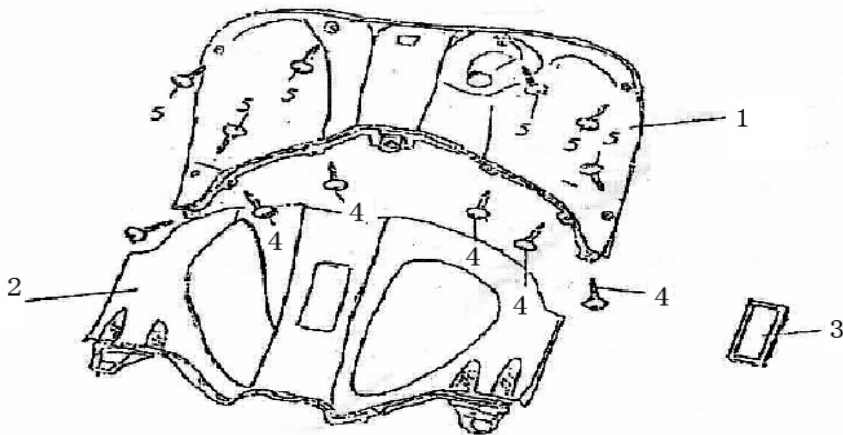
| FRONT FORK ASSEMBLY | | | | | |
|---------------------|-----------|--------------|--------------------------|-----------------------|------|
| | | | | | |
| | | | | | |
| Item No. | Part No. | UPC Number | Description | Qty Shipped per order | Qty. |
| 15 | RT150-151 | 883099060885 | COVER, RIGHT SHOCK | 1 | 1 |
| 16 | RT150-152 | 883099061011 | COVER, LEFT ROCKER | 1 | 1 |
| 17 | RT150-153 | 883099061042 | ROCKER, LEFT | 1 | 1 |
| 18 | RT150-154 | 883099061059 | COVER, LEFT ROCKER | 1 | 1 |
| 19 | RT150-155 | 883099061110 | DISC BRAKE ROCKER | 1 | 1 |
| 20 | RT150-156 | 883099061387 | BUT DISC BRAKE ROCKER | 1 | 1 |
| 21 | RT150-157 | 883099061424 | BOLT M8X30 | 1 | 1 |
| 22 | RT150-158 | 883099061462 | BOLT FLANGE M6X12 | 3 | 6 |
| 23 | RT150-159 | 883099061479 | BOLT FLANGE M8 | 2 | 2 |
| 24 | RT150-160 | 883099061547 | BOLT FLANGE M8X40 | 2 | 2 |
| 25 | RT150-161 | 883099061561 | UP AXLE TREE GROUPWARE | 1 | 1 |
| 26 | RT150-162 | 883099061592 | DOWN AXLE TREE GROUPWARE | 1 | 1 |
| 27 | RT150-163 | 883099061608 | COMPACTION NUT | 2 | 2 |
| 28 | RT150-164 | 883099061615 | BOLT FLANGE M10X1.25 | 2 | 2 |
| 29 | RT150-165 | 883099061622 | STEEL BALL BOTTOM M10 | 1 | 1 |
| | | | | | |
| | | | | | |
| | | | | | |
| | | | | | |

| FRONT WHEEL FENDER | | | | | |
|--|-------------|--------------|------------------------------|-----------------------|------|
|  | | | | | |
| | <i>Baja</i> | | | | |
| Item No. | Part No. | UPC Number | Description | Qty Shipped per order | Qty. |
| 1 | RT150-166 | 883099061639 | FENDER, FRONT PART FRONT RED | 1 | 1 |
| 2 | RT150-167 | 883099061646 | FENDER, REAR PART FRONT RED | 1 | 1 |
| 3 | RT150-168 | 883099061714 | BOLT FLANGE M6X12 | 2 | 4 |
| | | | | | |
| | | | | | |
| | | | | | |
| | | | | | |
| | | | | | |
| | | | | | |
| | | | | | |
| | | | | | |
| | | | | | |
| | | | | | |
| | | | | | |
| | | | | | |
| | | | | | |
| | | | | | |
| | | | | | |
| | | | | | |
| | | | | | |
| | | | | | |
| | | | | | |
| | | | | | |
| | | | | | |
| | | | | | |
| | | | | | |

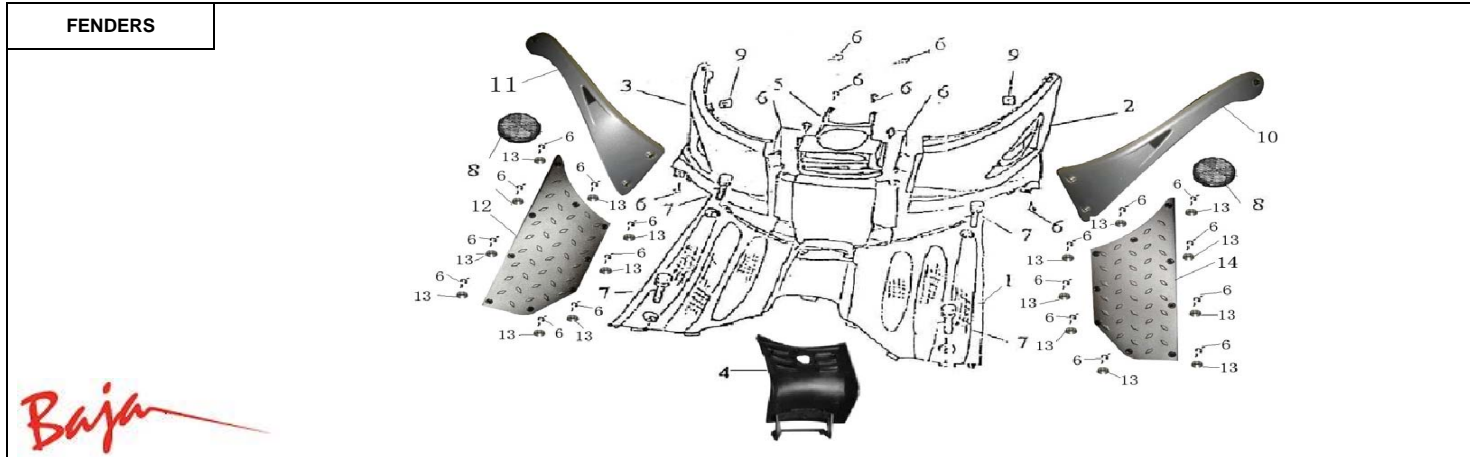


| Item No. | Part No. | UPC Number | Description | Qty Shipped per order | Qty. |
|----------|-----------|--------------|------------------------|-----------------------|------|
| 1 | RT150-169 | 883099061738 | COVER, FRONT RED | 1 | 1 |
| 2 | RT150-170 | 883099061745 | TAIL DEC.UPPER | 1 | 1 |
| 3 | RT150-171 | 883099061752 | TAIL DEC.UNDER | 1 | 1 |
| 4 | RT150-172 | 883099061769 | BOLT M6X16 | 2 | 2 |
| 5 | RT150-173 | 883099061776 | BOLT M6X12 | 2 | 2 |
| 6 | RT150-174 | 883099061813 | BOLT M6X18 | 1 | 1 |
| 7 | RT150-175 | 883099061851 | SCREW TAPPING ST3.8X13 | 2 | 4 |
| 8 | RT150-176 | 883099061868 | SCREW TAPPING ST4.2X16 | 4 | 10 |
| 9 | RT150-177 | 883099061875 | WASHER 5 | 2 | 4 |
| 10 | RT150-178 | 883099061882 | NUT SPRING ST3.8 | 2 | 2 |
| 11 | RT150-179 | 883099061899 | DEC.COVER ASSY.FR. | 1 | 2 |
| 12 | RT150-180 | 883099061905 | NUT SPRING ST4.2 | 2 | 2 |
| | | | | | |
| | | | | | |
| | | | | | |
| | | | | | |
| | | | | | |
| | | | | | |
| | | | | | |
| | | | | | |

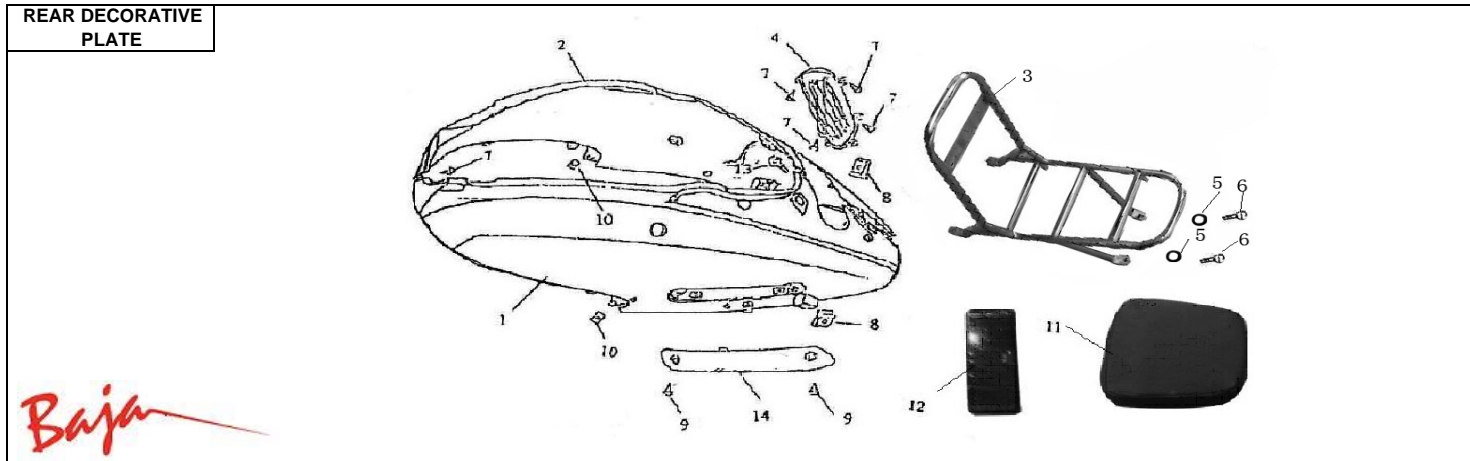
DECORATIVE PLATE



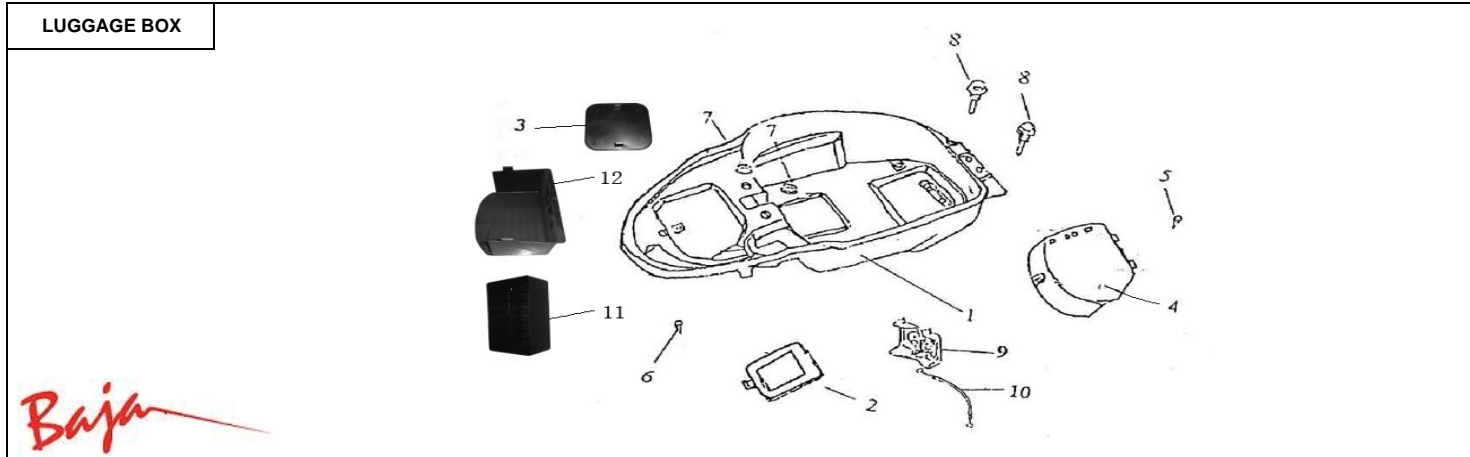
| Item No. | Part No. | UPC Number | Description | Qty Shipped per order | Qty. |
|----------|-----------|--------------|------------------------|-----------------------|------|
| 1 | RT150-181 | 883099061929 | INNER BOARD | 1 | 1 |
| 2 | RT150-182 | 883099061943 | UPPER, TOOL BOX | 1 | 1 |
| 3 | RT150-183 | 883099061950 | NUMBER COVER | 1 | 1 |
| 4 | RT150-184 | 883099062001 | SCREW TAPPING ST3.8X13 | 3 | 6 |
| 5 | RT150-185 | 883099062063 | SCREW TAPPING ST4.2X16 | 3 | 6 |
| | | | | | |
| | | | | | |
| | | | | | |
| | | | | | |
| | | | | | |
| | | | | | |
| | | | | | |
| | | | | | |
| | | | | | |
| | | | | | |
| | | | | | |
| | | | | | |
| | | | | | |



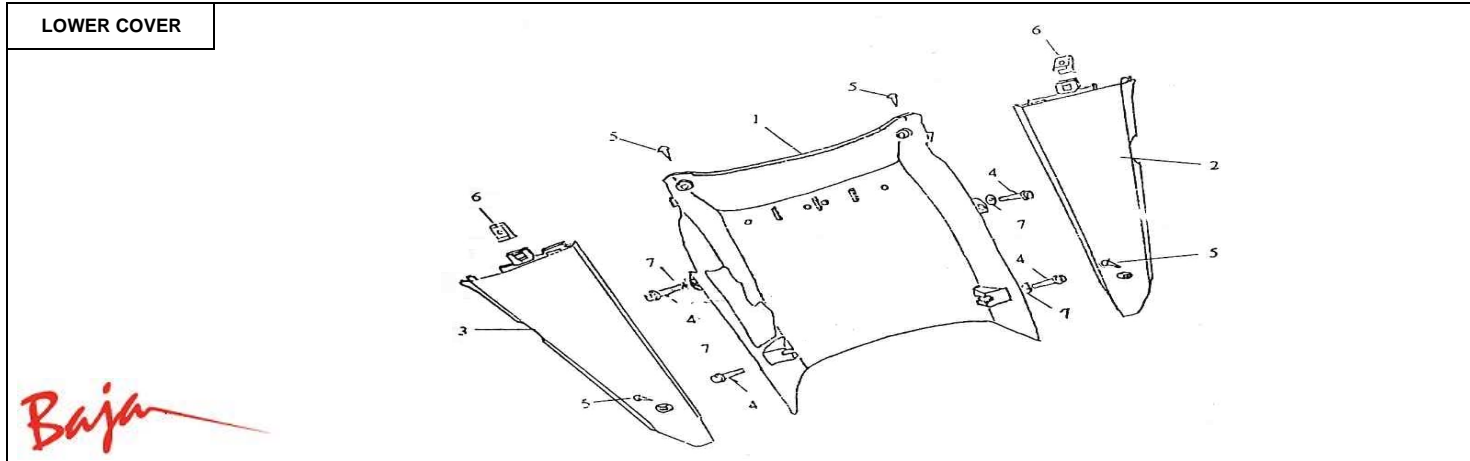
| Item No. | Part No. | UPC Number | Description | Qty Shipped per order | Qty. |
|----------|-----------|--------------|--------------------------------|-----------------------|------|
| 1 | RT150-186 | 883099062100 | FOOTPLATE | 1 | 1 |
| 2 | RT150-187 | 883099062117 | BOARD, LEFT CONNECTING | 1 | 1 |
| 3 | RT150-188 | 883099062124 | BOARD, RIGHT CONNECTING | 1 | 1 |
| 4 | RT150-189 | 883099062216 | COVER, SPARK PLUG | 1 | 1 |
| 5 | RT150-190 | 883099062223 | FUEL TANK MOUTH COVER | 1 | 1 |
| 6 | RT150-191 | 883099062247 | SCREW TAPPING ST3.8X13 | 6 | 12 |
| 7 | RT150-192 | 883099062254 | BOLT M6X15 | 2 | 4 |
| 8 | RT150-193 | 883099062278 | SIDE REFLECTING IMPLEMENT | 1 | 2 |
| 9 | RT150-194 | 883099062308 | NUT SPRING ST4.2 | 2 | 2 |
| 10 | RT150-195 | 883099062414 | L CONNECTING BOARD ,BODY COVER | 1 | 1 |
| 11 | RT150-196 | 883099062421 | R CONNECTING BOARD ,BODY COVER | 1 | 1 |
| 12 | RT150-197 | 883099062438 | L FOOTSKIN | 1 | 1 |
| 13 | RT150-198 | 883099062568 | SCREW TAPPING SAFEGUARD COVER | 5 | 18 |
| 14 | RT150-199 | 883099062575 | R FOOTSKIN | 1 | 1 |
| | | | | | |
| | | | | | |
| | | | | | |
| | | | | | |
| | | | | | |



| Item No. | Part No. | UPC Number | Description | Qty Shipped per order | Qty. |
|----------|-----------|--------------|---------------------------|-----------------------|------|
| 1 | RT150-200 | 883099062599 | L BODY SIDE COVER | 1 | 1 |
| 2 | RT150-201 | 883099062735 | R BODY SIDE COVER | 1 | 1 |
| 3 | RT150-202 | 883099062759 | LUGGAGE CARRIER | 1 | 1 |
| 4 | RT150-203 | 883099062773 | WINDAGE CLAPBOARD | 1 | 1 |
| 5 | RT150-204 | 883099062827 | WASHER | 2 | 2 |
| 6 | RT150-205 | 883099062889 | BOLT FLANGE M6X25 | 2 | 2 |
| 7 | RT150-206 | 883099062896 | SCREW TAPPING ST3.8X13 | 2 | 4 |
| 8 | RT150-207 | 883099062957 | NUT M6 | 2 | 2 |
| 9 | RT150-208 | 883099062964 | SCREW TAPPING ST4.2X16 | 2 | 2 |
| 10 | RT150-209 | 883099062995 | NUT SPRING ST3.8 | 2 | 2 |
| 11 | RT150-210 | 883099063022 | BACKREST | 1 | 1 |
| 12 | RT150-211 | 883099063060 | REFLECTING IMPLEMENT | 1 | 1 |
| 13 | RT150-212 | 883099063169 | BOLT M6X18 | 2 | 2 |
| 14 | RT150-213 | 883099063244 | L.DECORATE PLATE (SILVER) | 1 | 1 |
| | | | | | |
| | | | | | |
| | | | | | |
| | | | | | |
| | | | | | |

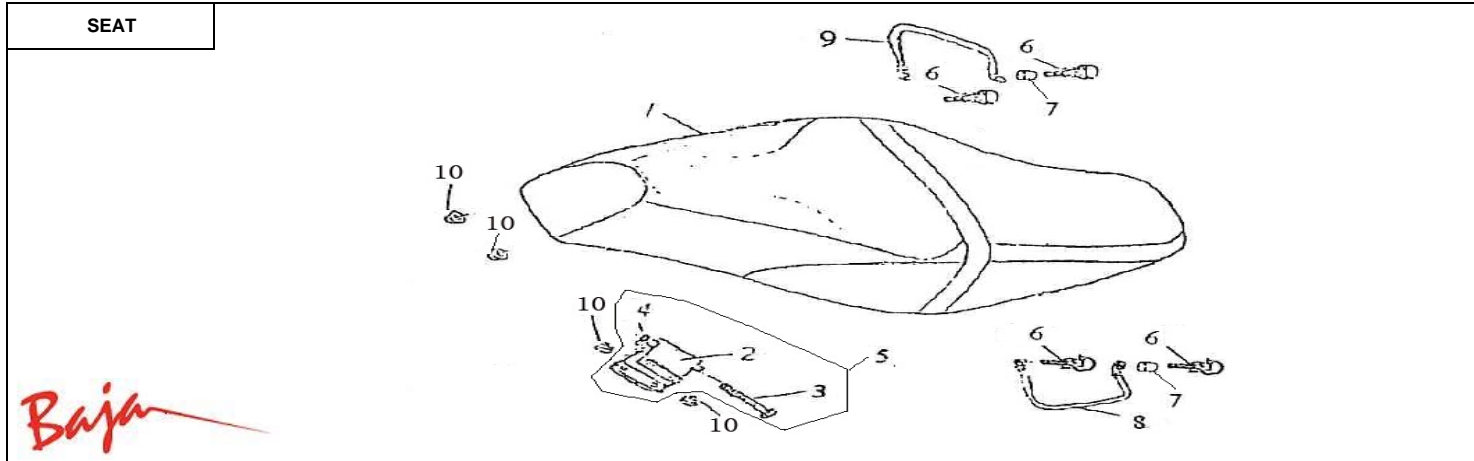


| Item No. | Part No. | UPC Number | Description | Qty Shipped per order | Qty. |
|----------|-----------|--------------|--------------------------|-----------------------|------|
| 1 | RT150-214 | 883099063268 | BOX ASSY.LUGGAGE | 1 | 1 |
| 2 | RT150-215 | 883099063336 | BIG BOARD, LUGGAGE BOX | 1 | 1 |
| 3 | RT150-216 | 883099063374 | SMALL BOARD, LUGGAGE BOX | 1 | 1 |
| 4 | RT150-217 | 883099063398 | CARBURATOR COVER | 1 | 1 |
| 5 | RT150-218 | 883099063404 | SCREW TAPPING ST3.8X13 | 2 | 2 |
| 6 | RT150-219 | 883099063503 | SCREW TAPPING ST4.2X16 | 1 | 1 |
| 7 | RT150-220 | 883099063510 | NUT FLANGE M6 | 2 | 2 |
| 8 | RT150-221 | 883099063565 | BOLT FLANGE M6X18 | 2 | 4 |
| 9 | RT150-222 | 883099063596 | SEAT LOCK BRACKET | 1 | 1 |
| 10 | RT150-223 | 883099063602 | SEAT LOCK CABLE | 1 | 1 |
| 11 | RT150-224 | 883099063619 | BATTERY BOX | 1 | 1 |
| 12 | RT150-225 | 883099063640 | BATTERY COVER | 1 | 1 |
| | | | | | |
| | | | | | |
| | | | | | |
| | | | | | |
| | | | | | |
| | | | | | |
| | | | | | |

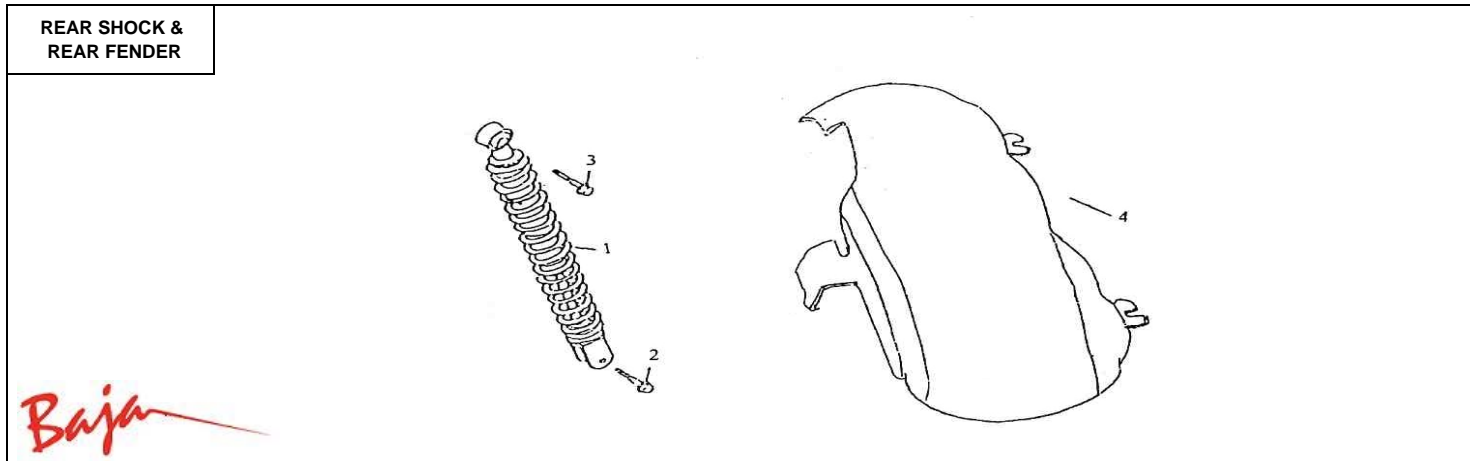


Baja

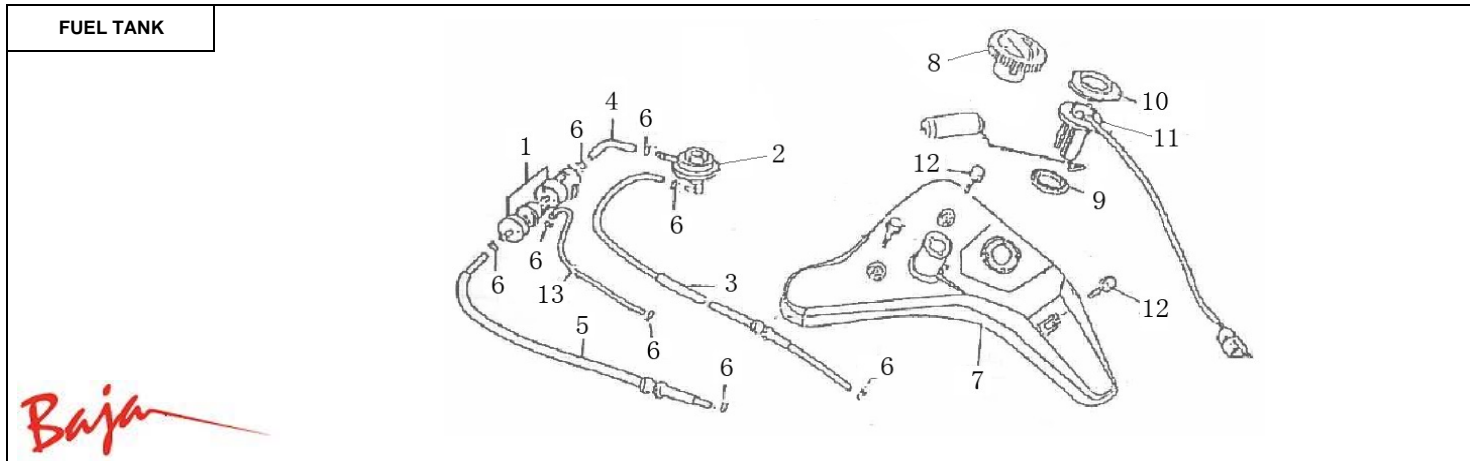
| Item No. | Part No. | UPC Number | Description | Qty Shipped per order | Qty. |
|----------|-----------|--------------|------------------------|-----------------------|------|
| 1 | RT150-226 | 883099063657 | FRAME FENDER | 1 | 1 |
| 2 | RT150-227 | 883099063664 | R PROTECTOR COMP | 1 | 1 |
| 3 | RT150-228 | 883099063671 | L PROTECTOR COMP | 1 | 1 |
| 4 | RT150-229 | 883099063688 | BOLT FLANGE M6X12 | 2 | 4 |
| 5 | RT150-230 | 883099063695 | SCREW TAPPING ST4.2X16 | 2 | 4 |
| 6 | RT150-231 | 883099063701 | NUT SPRING ST3.8 | 2 | 2 |
| 7 | RT150-232 | 883099063718 | WASHER 6 | 2 | 4 |
| | | | | | |
| | | | | | |
| | | | | | |
| | | | | | |
| | | | | | |
| | | | | | |
| | | | | | |
| | | | | | |
| | | | | | |
| | | | | | |
| | | | | | |
| | | | | | |
| | | | | | |
| | | | | | |
| | | | | | |
| | | | | | |



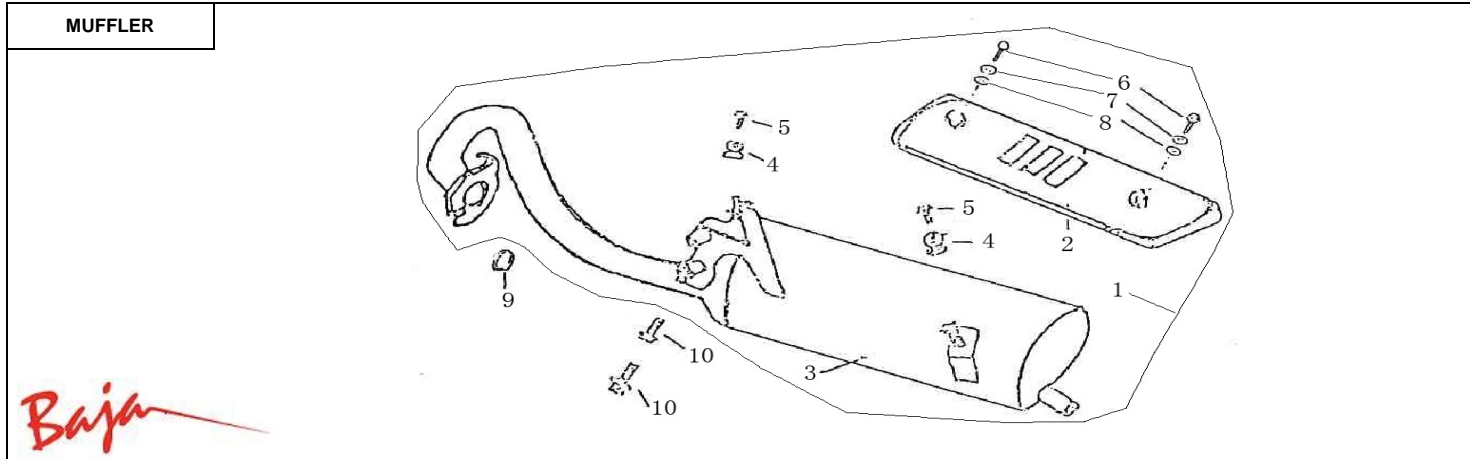
| Item No. | Part No. | UPC Number | Description | Qty Shipped per order | Qty. |
|----------|-----------|--------------|--------------------|-----------------------|------|
| 1 | RT150-233 | 883099063725 | SEAT | 1 | 1 |
| 2 | RT150-234 | 883099063763 | SEAT BRACKET | 1 | 1 |
| 3 | RT150-235 | 883099063800 | BOLT FLANGE M6X85 | 1 | 1 |
| 4 | RT150-236 | 883099063817 | NUT M6 | 1 | 1 |
| 5 | RT150-237 | 883099063824 | BRACKET, SEAT | 1 | 1 |
| 6 | RT150-238 | 883099063831 | BOLT FLANGE M6X25 | 2 | 4 |
| 7 | RT150-239 | 883099063848 | L/R HANDLE COLLAR | 2 | 2 |
| 8 | RT150-240 | 883099063855 | HANDLE, RIGHT SEAT | 1 | 1 |
| 9 | RT150-241 | 883099063862 | HANDLE, LEFT SEAT | 1 | 1 |
| 10 | RT150-242 | 883099063879 | NUT FLANGE M6 | 2 | 4 |
| | | | | | |
| | | | | | |
| | | | | | |
| | | | | | |
| | | | | | |
| | | | | | |
| | | | | | |
| | | | | | |
| | | | | | |
| | | | | | |



| Item No. | Part No. | UPC Number | Description | Qty Shipped per order | Qty. |
|----------|-----------|--------------|-------------------------|-----------------------|------|
| 1 | RT150-243 | 883099064043 | SHOCK, REAR | 1 | 1 |
| 2 | RT150-244 | 883099064050 | BOLT FLANGE M8X10 | 1 | 1 |
| 3 | RT150-245 | 883099064067 | BOLT FLANGE M10X1.25X40 | 1 | 1 |
| 4 | RT150-246 | 883099064074 | FENDER REAR WHEEL | 1 | 1 |
| | | | | | |
| | | | | | |
| | | | | | |
| | | | | | |
| | | | | | |
| | | | | | |
| | | | | | |
| | | | | | |
| | | | | | |
| | | | | | |
| | | | | | |
| | | | | | |
| | | | | | |
| | | | | | |
| | | | | | |
| | | | | | |
| | | | | | |
| | | | | | |
| | | | | | |
| | | | | | |

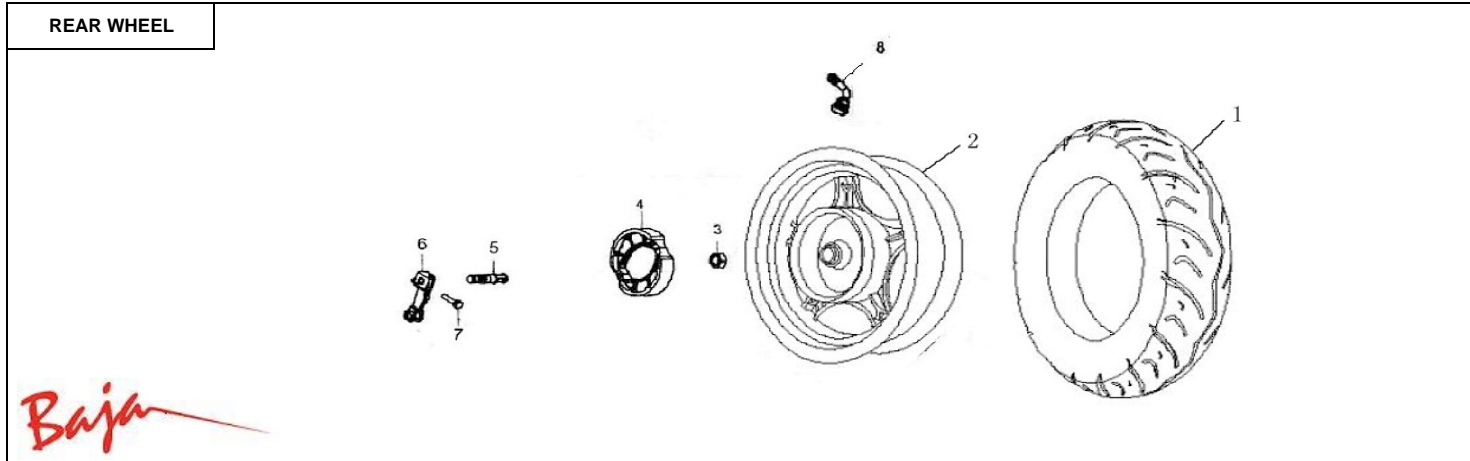


| Item No. | Part No. | UPC Number | Description | Qty Shipped per order | Qty. |
|----------|-----------|--------------|------------------------|-----------------------|------|
| 1 | RT150-247 | 883099064081 | STRAINER, FUEL | 1 | 1 |
| 2 | RT150-248 | 883099064098 | FUEL VALVE | 1 | 1 |
| 3 | RT150-249 | 883099064104 | TUBE COMP VACUUM | 1 | 1 |
| 4 | RT150-250 | 883099064111 | TUBE COMP FUEL | 1 | 1 |
| 5 | RT150-251 | 883099064128 | TUBE COMP FUEL | 1 | 1 |
| 6 | RT150-252 | 883099064135 | SPRING, OIL PIPE | 3 | 8 |
| 7 | RT150-253 | 883099064142 | TANK COMP FUEL | 1 | 1 |
| 8 | RT150-254 | 883099064159 | CAP COMP FUEL FIVER | 1 | 1 |
| 9 | RT150-255 | 883099064166 | SENSOR AIRPROOF CIRCLE | 1 | 1 |
| 10 | RT150-256 | 883099064173 | SENSOR PRESS BOARD | 1 | 1 |
| 11 | RT150-257 | 883099064180 | SENSOR, FUEL | 1 | 1 |
| 12 | RT150-258 | 883099064197 | BOLT FLANGE M6X12 | 3 | 3 |
| 13 | RT150-259 | 883099064272 | TUBE COMP FUEL | 1 | 1 |
| | | | | | |
| | | | | | |
| | | | | | |
| | | | | | |
| | | | | | |
| | | | | | |

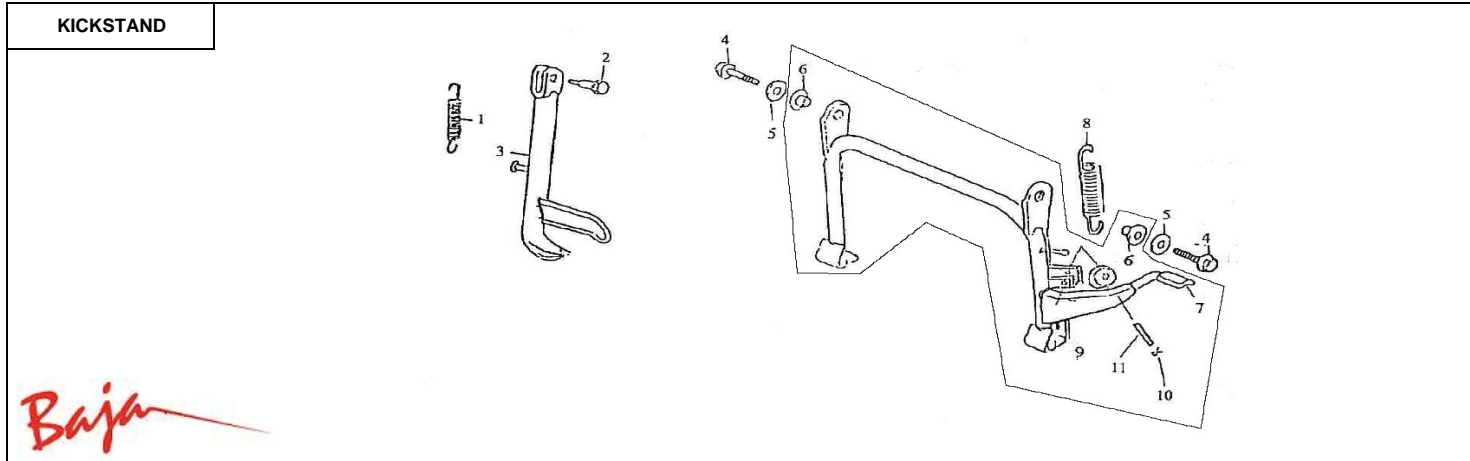


| Item No. | Part No. | UPC Number | Description | Qty Shipped per order | Qty. |
|----------|-----------|--------------|---------------------------|-----------------------|------|
| 1 | RT150-260 | 883099064616 | MUFFLER COMPLETE ASSEMBLY | 1 | 1 |
| 2 | RT150-261 | 883099064623 | HEAT GUARD, MUFFLER | 1 | 1 |
| 3 | | | MUFFLER | 1 | 1 |
| 4 | RT150-262 | 883099064630 | RUBBER BUSH | 2 | 2 |
| 5 | RT150-263 | 883099064647 | BOLT FLANGE M6X25 | 2 | 2 |
| 6 | RT150-264 | 883099064654 | BOLT FLANGE M6X12 | 2 | 2 |
| 7 | RT150-265 | 883099064661 | SPRING WASHER 6 | 2 | 2 |
| 8 | RT150-266 | 883099064678 | WASHER 6 | 2 | 2 |
| 9 | RT150-267 | 883099064685 | MUFFLER CUSHION | 1 | 1 |
| 10 | RT150-268 | 883099064692 | BOLT FLANGE M8X35 | 2 | 2 |
| | | | | | |
| | | | | | |
| | | | | | |
| | | | | | |
| | | | | | |
| | | | | | |
| | | | | | |
| | | | | | |
| | | | | | |
| | | | | | |
| | | | | | |

| FRONT WHEEL | | | | | | |
|-------------|-----------|--------------|--------------------------|-----------------------|------|--|
| | | | | | | |
| Item No. | Part No. | UPC Number | Description | Qty Shipped per order | Qty. | |
| 1 | | | RIM, FRONT | 1 | 1 | |
| 2 | RT150-269 | 883099064715 | TIRE 3.50-10, FRONT | 1 | 1 | |
| 3 | RT150-270 | 883099064722 | STEM, VALVE | 1 | 1 | |
| 4 | RT150-271 | 883099064739 | DISK, FRONT BRAKE | 1 | 1 | |
| 5 | RT150-272 | 883099064746 | BOLT, DISC BRAKE | 3 | 3 | |
| 6 | RT150-273 | 883099064753 | COLLAR, FRONT WHEEL AXLE | 1 | 1 | |
| 7 | RT150-274 | 883099064777 | BEARING 6201 | 1 | 2 | |
| 8 | RT150-275 | 883099064784 | DUST SEAL | 1 | 1 | |
| 9 | RT150-276 | 883099064791 | BUSHING, FRONT WHEEL | 1 | 1 | |
| 10 | RT150-277 | 883099064807 | SENSOR, SPEEDOMETER | 1 | 1 | |
| 11 | RT150-278 | 883099064814 | CABLE, SPEEDOMETER | 1 | 1 | |
| 12 | RT150-279 | 883099064821 | AXLE, FRONT | 1 | 1 | |
| 13 | RT150-280 | 883099064838 | FLANGE NUT M12 | 1 | 1 | |
| 14 | RT150-281 | 883099064845 | RIM, FRONT | 1 | 1 | |
| | | | | | | |
| | | | | | | |
| | | | | | | |
| | | | | | | |
| | | | | | | |

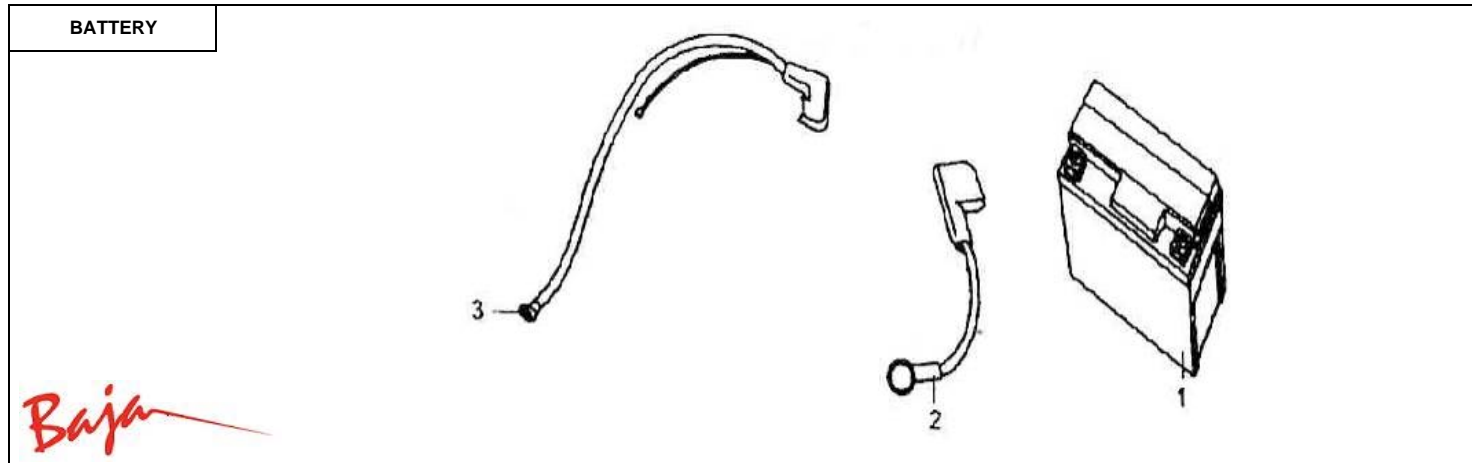


| Item No. | Part No. | UPC Number | Description | Qty Shipped per order | Qty. |
|----------|-----------|--------------|----------------------|-----------------------|------|
| 1 | RT150-282 | 883099064852 | TIRE 3.50-10, REAR | 1 | 1 |
| 2 | RT150-283 | 883099064869 | RIM 2.50-10, REAR | 1 | 1 |
| 3 | RT150-284 | 883099064876 | NUT FLANGE M16 | 1 | 1 |
| 4 | RT150-285 | 883099064883 | SHOES, REAR BRAKE | 1 | 1 |
| 5 | RT150-286 | 883099064890 | CAMSHAFT, REAR BRAKE | 1 | 1 |
| 6 | RT150-287 | 883099064906 | ARM, REAR BRAKE | 1 | 1 |
| 7 | RT150-288 | 883099064913 | BOLT FLANGE M6X28 | 1 | 1 |
| 8 | RT150-289 | 883099064920 | STEM, VALVE | 1 | 1 |
| | | | | | |
| | | | | | |
| | | | | | |
| | | | | | |
| | | | | | |
| | | | | | |
| | | | | | |
| | | | | | |
| | | | | | |
| | | | | | |

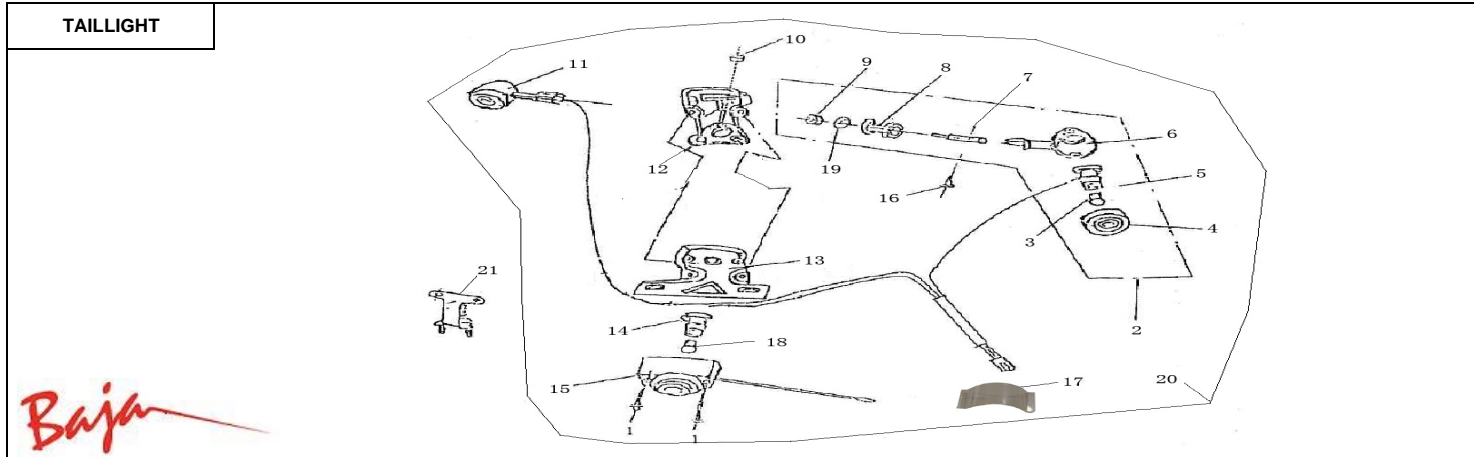


| Item No. | Part No. | UPC Number | Description | Qty Shipped per order | Qty. |
|----------|-----------|--------------|------------------------------|-----------------------|------|
| 1 | RT150-290 | 883099064937 | CONNECTING BOARD | 1 | 1 |
| 2 | RT150-291 | 883099064944 | SIDE STAND BOLT | 1 | 1 |
| 3 | RT150-292 | 883099064951 | SIDE STAND | 1 | 1 |
| 4 | RT150-293 | 883099064968 | BOLT FLANGE M10X1.25X25 | 2 | 2 |
| 5 | RT150-294 | 883099064975 | WASHER 10 | 2 | 2 |
| 6 | RT150-295 | 883099064982 | COLLAR MAIN STAND | 2 | 2 |
| 7 | RT150-296 | 883099064999 | STAND ASSY.MAIN | 1 | 1 |
| 8 | RT150-297 | 883099065002 | SPRING, SIDE STAND | 1 | 1 |
| 9 | RT150-298 | 883099065019 | RUBBER STAND STOPPER | 1 | 1 |
| 10 | RT150-299 | 883099065026 | SIDE STAND BOLT M6X628肩Φ7X18 | 1 | 1 |
| 11 | RT150-300 | 883099065033 | AXIS PINΦ6 | 1 | 1 |
| | | | | | |
| | | | | | |
| | | | | | |
| | | | | | |
| | | | | | |
| | | | | | |
| | | | | | |
| | | | | | |
| | | | | | |

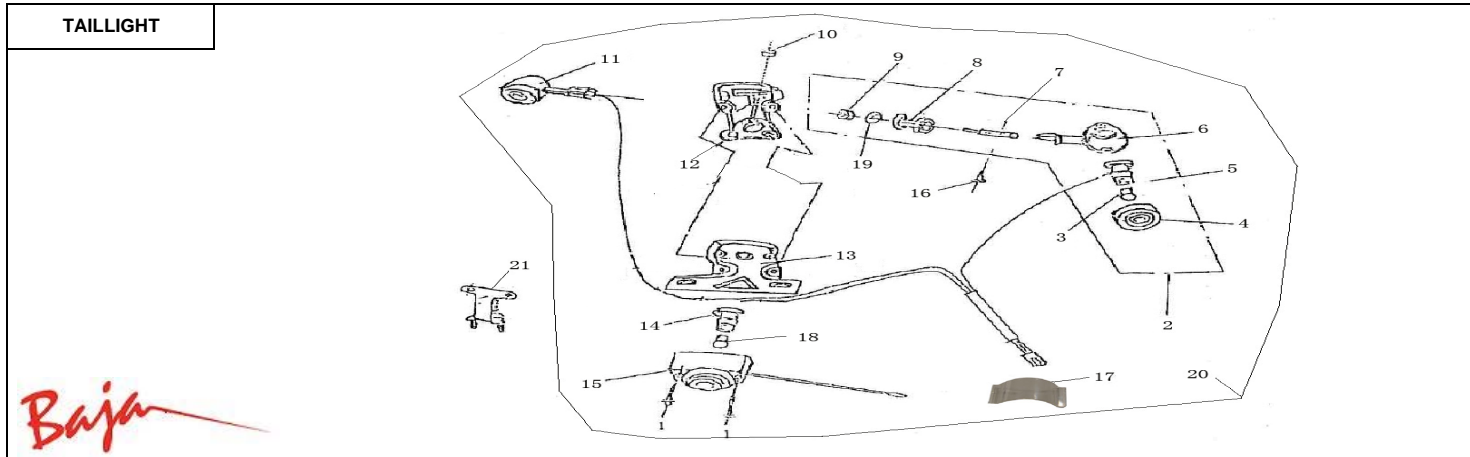
| ELECTRICAL | | | | | |
|------------|-----------|--------------|-------------------|-----------------------|------|
| Item No. | Part No. | UPC Number | Description | Qty Shipped per order | Qty. |
| 1 | RT150-301 | 883099065040 | HARNESS, WIRING | 1 | 1 |
| 2 | RT150-302 | 883099065057 | CDI | 1 | 1 |
| 3 | RT150-303 | 883099065064 | RECTIFIER | 1 | 1 |
| 4 | RT150-304 | 883099065095 | RELAY, STARTER | 1 | 1 |
| 5 | RT150-305 | 883099065101 | FLASHER | 1 | 1 |
| 6 | RT150-306 | 883099065118 | COIL, IGNITION | 1 | 1 |
| 7 | RT150-307 | 883099065125 | HORN | 1 | 1 |
| 8 | RT150-308 | 883099065132 | RESISTANCE | 1 | 1 |
| 9 | RT150-309 | 883099065149 | LOCK ASSEMBLY | 1 | 1 |
| 10 | RT150-310 | 883099065156 | BOLT FLANGE M6X25 | 1 | 1 |
| 11 | RT150-311 | 883099065163 | CASE 7A PUSE | 1 | 1 |
| 12 | RT150-312 | 883099065170 | FUSE 7A | 1 | 1 |
| 13 | RT150-313 | 883099065187 | BAND BI WIRE | 3 | 3 |
| 14 | RT150-314 | 883099065194 | BOLT FLANGE M6X16 | 2 | 2 |
| 15 | RT150-315 | 883099065217 | | 1 | 1 |
| | | | | | |
| | | | | | |
| | | | | | |



| Item No. | Part No. | UPC Number | Description | Qty Shipped per order | Qty. |
|----------|------------|--------------|-----------------------|-----------------------|------|
| 1 | 50-01-9001 | 883099065224 | BATTERY (GTX7A-BS FP) | 1 | 1 |
| 2 | RT150-317 | 883099065248 | CABLE, POSITIVE | 1 | 1 |
| 3 | RT150-318 | 883099065255 | CABLE, NEGATIVE | 1 | 1 |
| | | | | | |
| | | | | | |
| | | | | | |
| | | | | | |
| | | | | | |
| | | | | | |
| | | | | | |
| | | | | | |
| | | | | | |
| | | | | | |
| | | | | | |
| | | | | | |
| | | | | | |
| | | | | | |
| | | | | | |
| | | | | | |
| | | | | | |
| | | | | | |
| | | | | | |

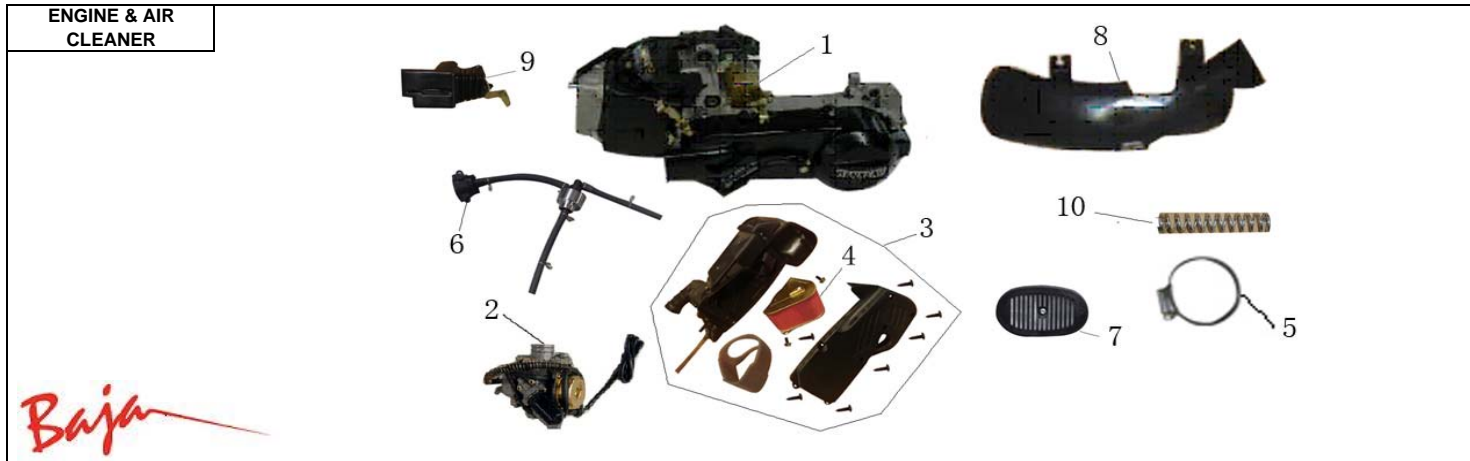


| Item No. | Part No. | UPC Number | Description | Qty Shipped per order | Qty. |
|----------|-----------|--------------|-------------------------|-----------------------|------|
| 1 | | | SCREW TAPPING ST3.2X16 | | 2 |
| 2 | RT150-319 | 883099065262 | SIGNAL, RIGHT REAR TURN | 1 | 1 |
| 3 | RT150-320 | 883099065279 | BULB, TURN SIGNAL | 1 | 2 |
| 4 | | | LENS R.RR.WINKER | | 1 |
| 5 | | | LIGHT ASSY.RR. WIRE | | 1 |
| 6 | | | DODY RR.WINKER | | 1 |
| 7 | | | BOLT RR. WINKER | | 1 |
| 8 | | | RUBBER BUSH | | 2 |
| 9 | | | UNT M12 | | 2 |
| 10 | | | RUBBER BUSH | | 3 |
| 11 | RT150-321 | 883099065286 | SIGNAL, LEFT REAR TURN | 1 | 1 |
| 12 | | | STY.RR.TAIL LIGHT | | 1 |
| 13 | | | BRA CKET LICENSE RR. | | 1 |
| 14 | | | BODY COMP.TAIL LIGHT | | 1 |
| 15 | | | LENS TAILLIGHT | | 1 |
| | | | | | |
| | | | | | |
| | | | | | |
| | | | | | |



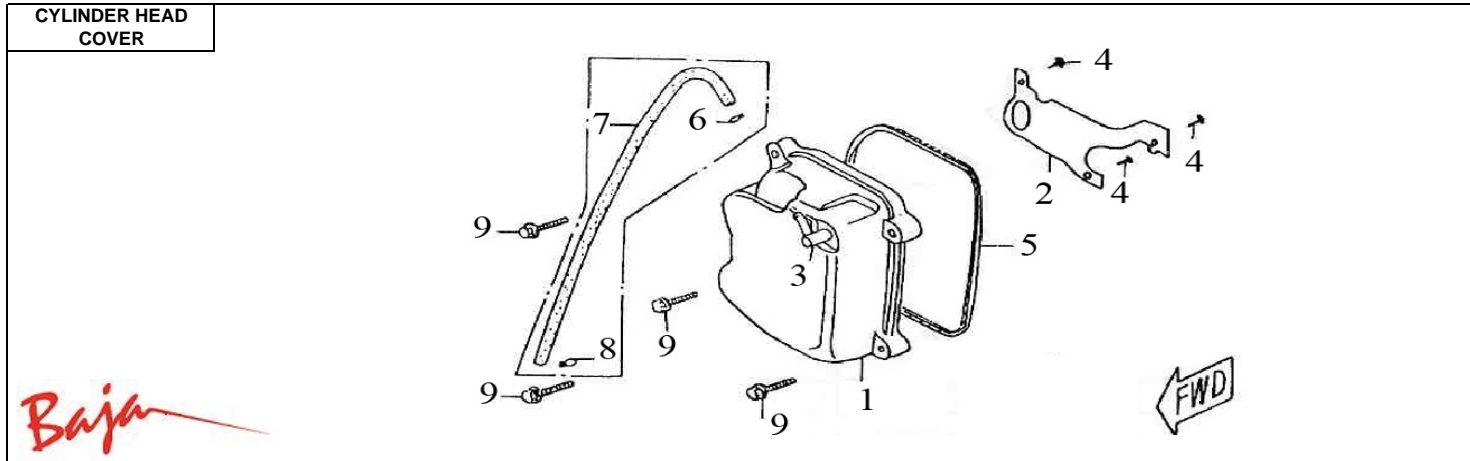
| Item No. | Part No. | UPC Number | Description | Qty Shipped per order | Qty. |
|----------|-----------|--------------|------------------------|-----------------------|------|
| 16 | | | SCREW TAPPING ST4.2X13 | | 4 |
| 17 | | | POSITION LIGHT GLASS | | 1 |
| 18 | RT150-322 | 883099065293 | BULB, TAILLIGHT | 1 | 1 |
| 19 | | | WASHER 12 | | 1 |
| 20 | RT150-323 | 883099065309 | TAILLIGHT | 1 | 1 |
| 21 | RT150-324 | 883099065316 | BRACKET | 1 | 1 |
| | | | | | |
| | | | | | |
| | | | | | |
| | | | | | |
| | | | | | |
| | | | | | |
| | | | | | |
| | | | | | |
| | | | | | |
| | | | | | |
| | | | | | |
| | | | | | |
| | | | | | |

| FRAME | | | | | |
|----------|-----------|--------------|--------------------------|-----------------------|------|
| Item No. | Part No. | UPC Number | Description | Qty Shipped per order | Qty. |
| 1 | RT150-325 | 883099065323 | FRAME | 1 | 1 |
| 2 | RT150-326 | 883099065330 | BRACKET, BODY SIDE COVER | 1 | 1 |
| 3 | RT150-327 | 883099065347 | HANGER | 1 | 1 |
| 4 | RT150-328 | 883099065354 | HANGER RUBBER | 2 | 2 |
| 5 | RT150-329 | 883099065361 | BOLT FLANGE M10X1.25X65 | 2 | 2 |
| 6 | RT150-330 | 883099065378 | HANG FRAME AXES | 1 | 1 |
| 7 | RT150-331 | 883099065385 | ELECTRICITY LOCK BOARD | 1 | 1 |
| 8 | RT150-332 | 883099065392 | BOLT FLANGE M6X16 | 2 | 4 |
| 9 | RT150-333 | 883099065408 | SCREW M6X10 | 2 | 2 |
| 10 | RT150-334 | 883099065415 | BOLT FLANGE M6X12 | 3 | 3 |
| 11 | RT150-335 | 883099065422 | HANGER GASKET | 1 | 2 |
| 12 | RT150-336 | 883099065439 | FOOTREST, LEFT | 1 | 1 |
| 13 | RT150-337 | 883099065446 | FOOTREST, RIGHT | 1 | 1 |
| 14 | RT150-338 | 883099065453 | FUEL TANK BOARD | 1 | 1 |
| 15 | RT150-339 | 883099065460 | BRACKET | 1 | 1 |
| | | | | | |
| | | | | | |
| | | | | | |
| | | | | | |



| Item No. | Part No. | UPC Number | Description | Qty Shipped per order | Qty. |
|----------|-----------|--------------|------------------------------|-----------------------|------|
| 1 | RT150-340 | 883099065477 | ENGINE 150CC | 1 | 1 |
| 2 | RT150-341 | 883099065484 | CARBURETOR | 1 | 1 |
| 3 | RT150-342 | 883099065491 | AIR CLEANER | 1 | 1 |
| 4 | RT150-343 | 883099065507 | AIR CLEANER HOLDER, AIR PIPE | 1 | 1 |
| 5 | RT150-344 | 883099065514 | AIR CLEANER BLOCK HOOP | 1 | 1 |
| 6 | RT150-345 | 883099065521 | AIR COLANDER ENTERWINDPIPE | 1 | 1 |
| 7 | RT150-346 | 883099065538 | VENTILATE PIPE GROUPWARE | 1 | 1 |
| 8 | RT150-347 | 883099065545 | BACK WHEEL FENDER | 1 | 1 |
| 9 | RT150-348 | 883099065552 | | 1 | 1 |
| 10 | RT150-349 | 883099065569 | | 1 | 1 |
| | | | | | |
| | | | | | |
| | | | | | |
| | | | | | |
| | | | | | |
| | | | | | |
| | | | | | |
| | | | | | |
| | | | | | |
| | | | | | |

| EXTRAS | | | | | |
|----------|-----------|--------------|---|-----------------------|------|
| Item No. | Part No. | UPC Number | Description | Qty Shipped per order | Qty. |
| 1 | | | ALUMINIUM PLATE (NOT AVAILABLE) | | 1 |
| 2 | | | ANTITAMPER PLATE (NOT AVAILABLE) | | 1 |
| 3 | RT150-350 | 883099065576 | TRUNK | 1 | 1 |
| 4 | RT150-351 | 883099065583 | ALARM | 1 | 1 |
| 5 | RT150-352 | 883099065590 | ALARM MOUNTING BRACKET | 1 | 1 |
| 6 | RT150-353 | 883099065606 | CARBON TIN GROUPWARE | 1 | 1 |
| 7 | RT150-354 | 883099065613 | SINGLE DIRECTION VALVE (AVAILABLE WITH ITEM 6) | 1 | 1 |
| 8 | RT150-355 | 883099065620 | COPPER THREE CONNECTION (AVAILABLE WITH ITEM 6) | 1 | 1 |
| 9 | RT150-356 | 883099065637 | CARBON TIN (AVAILABLE WITH ITEM 6) | 1 | 1 |
| 10 | RT150-357 | 883099065644 | KILL SWITCH (OPTIONAL) | 1 | 1 |
| 11 | RT150-358 | 883099065651 | DECALS | 1 | 1 |
| 12 | RT150-359 | 883099065668 | TOOL KIT | 1 | 1 |
| | | | | | |
| | | | | | |
| | | | | | |
| | | | | | |
| | | | | | |
| | | | | | |
| | | | | | |



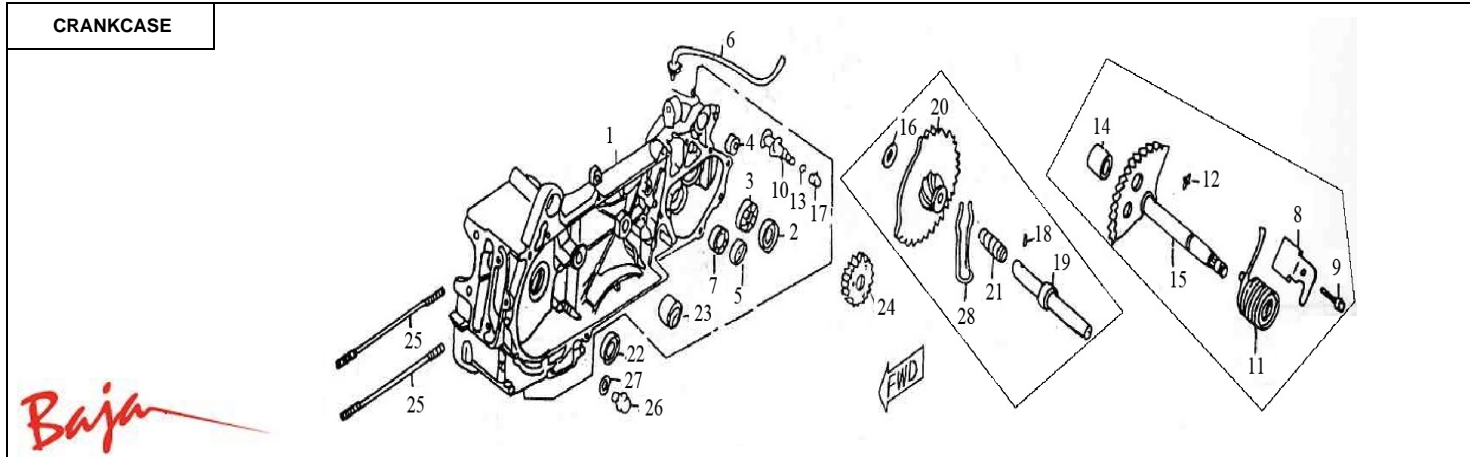
| Item No. | Part No. | UPC Number | Description | Qty Shipped per order | Qty. |
|----------|-----------|--------------|---------------------------------------|-----------------------|------|
| 1 | RT150-360 | 883099065675 | COVER, CYLINDER HEAD | 1 | 1 |
| 2 | RT150-361 | 883099065682 | BRACKET, HOSE | 1 | 1 |
| 3 | | | TUBE BREATHER (AVAILABLE WITH ITEM 1) | | 1 |
| 4 | RT150-362 | 883099065699 | SCREW ST4.2×8-F-H | 3 | 3 |
| 5 | RT150-363 | 883099065705 | GASKET, CYLINDER HEAD COVER | 1 | 1 |
| 6 | RT150-364 | 883099065712 | CLIP TUBE(A) | 1 | 1 |
| 7 | RT150-365 | 883099065729 | AIR TUBE | 1 | 1 |
| 8 | RT150-366 | 883099065736 | CLIP TUBE(B) | 1 | 1 |
| 9 | RT150-367 | 883099065743 | BOLT M6×25 | 2 | 2 |
| | | | | | |
| | | | | | |
| | | | | | |
| | | | | | |
| | | | | | |
| | | | | | |
| | | | | | |
| | | | | | |
| | | | | | |
| | | | | | |
| | | | | | |
| | | | | | |

| CYLINDER HEAD | | | | | |
|---------------|-----------|--------------|------------------------------|-----------------------|------|
| Item No. | Part No. | UPC Number | Description | Qty Shipped per order | Qty. |
| 1 | RT150-368 | 883099065750 | PIN DOWEL | 2 | 4 |
| 2 | RT150-369 | 883099065767 | NUT M6 | 2 | 2 |
| 3 | RT150-370 | 883099065804 | CLIP TUBE ASSY | 1 | 1 |
| 4 | RT150-371 | 883099065811 | STUD M6x63 | 2 | 2 |
| 5 | RT150-372 | 883099065842 | HEXAGEN FLANGE SCREW M6X100 | 2 | 2 |
| 6 | RT150-373 | 883099065859 | GASKET, CARBURETOR INSULATOR | 1 | 1 |
| 7 | RT150-374 | 883099065866 | INSULATOR, CARBURETOR | 1 | 1 |
| 8 | RT150-375 | 883099065873 | INTAKE PIPE | 1 | 1 |
| 9 | RT150-376 | 883099065880 | O RING 27x2.0 | 1 | 1 |
| 10 | RT150-377 | 883099065897 | SPRING VALVE INNER, OUTER | 2 | 2 |
| 11 | RT150-378 | 883099065903 | VALVE INTAKE | 1 | 1 |
| 12 | RT150-379 | 883099065910 | NUT TAPPET ADJUSTING | 2 | 2 |
| 13 | RT150-380 | 883099065934 | SCREW TAPPET ADJUSTING | 2 | 2 |
| 14 | RT150-381 | 883099065958 | RETAINER VALVE SPRING | 2 | 2 |
| 15 | RT150-382 | 883099065965 | NUT M8 | 2 | 4 |
| 16 | RT150-383 | 883099065972 | WASHER 8 | 2 | 4 |
| | | | | | |
| | | | | | |
| | | | | | |

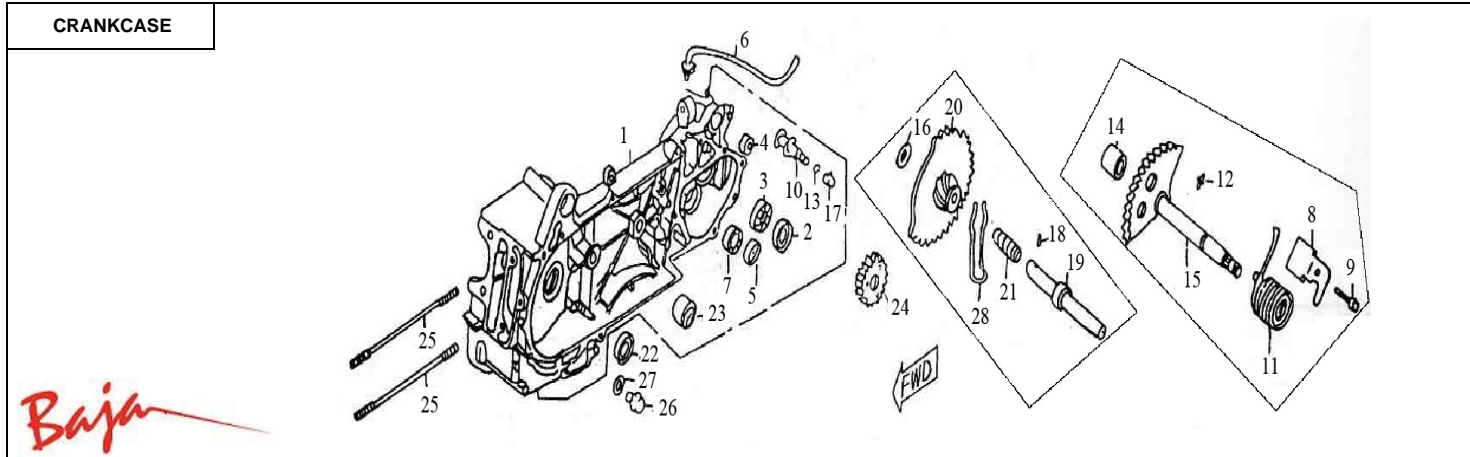
| CYLINDER HEAD | | | | | |
|---------------|-----------|--------------|------------------------------------|-----------------------|------|
| Item No. | Part No. | UPC Number | Description | Qty Shipped per order | Qty. |
| 17 | RT150-384 | 883099065989 | SHAFT COMP INTAKE VALVE ROCKER ARM | 1 | 1 |
| 18 | RT150-385 | 883099065996 | VALVE CONE HALF | 2 | 4 |
| 19 | RT150-386 | 883099066009 | SHAFT EXVALVE ROCKER ARM | 1 | 1 |
| 20 | RT150-387 | 883099066016 | CAMSHAFT | 1 | 1 |
| 21 | RT150-388 | 883099066023 | ROCKER ARM INNER | 1 | 1 |
| 22 | RT150-389 | 883099066030 | ROCKER ARM OUTER | 1 | 1 |
| 23 | RT150-390 | 883099066047 | VALVE SPRING RETAINER | 1 | 1 |
| 24 | RT150-391 | 883099066054 | VALVE OIL SEAL ASSY | 1 | 1 |
| 25 | RT150-392 | 883099066061 | EXHAUST VALVE | 1 | 1 |
| 26 | RT150-393 | 883099066078 | BOLT M6×32, STUD | 2 | 2 |
| 27 | RT150-394 | 883099066085 | CYLINDER HEAD | 1 | 1 |
| 28 | RT150-395 | 883099066092 | HOLDER, CAMSHAFT | 1 | 1 |
| 29 | RT150-396 | 883099066108 | SINGLE STOPPER COMP | 1 | 1 |
| 30 | RT150-397 | 883099066115 | SPARK PLUG | 1 | 1 |
| 31 | RT150-398 | 883099066122 | GASKET, CYLINDER HEAD | 1 | 1 |
| | | | | | |
| | | | | | |
| | | | | | |
| | | | | | |

| CYLINDER | | | | | |
|----------|-----------|--------------|------------------------|-----------------------|------|
| | | | | | |
| Item No. | Part No. | UPC Number | Description | Qty Shipped per order | Qty. |
| 1 | RT150-399 | 883099066139 | CYLINDER | 1 | 1 |
| 2 | RT150-400 | 883099066146 | BOLT M6×20 | 2 | 2 |
| 3 | RT150-401 | 883099066153 | CHAIN ADJUSTER | 1 | 1 |
| 4 | RT150-402 | 883099066160 | GASKET, CHAIN ADJUSTER | 1 | 1 |
| 5 | RT150-403 | 883099066177 | CAM CHAIN SCREW | 1 | 1 |
| 6 | RT150-404 | 883099066184 | O-RLING 15.2×1.5 | 1 | 1 |
| 7 | RT150-405 | 883099066191 | TENSION ROD CHAIN | 1 | 1 |
| 8 | RT150-406 | 883099066214 | CHAIN, TIMING | 1 | 1 |
| 9 | RT150-407 | 883099066221 | GUIDE COMP CHAIN | 1 | 1 |
| 10 | RT150-408 | 883099066238 | PIN DOWEL 10×16 | 2 | 2 |
| 11 | RT150-409 | 883099066276 | GASKET, CYLINDER | 1 | 1 |
| 12 | | | 9.5*1.5 o ring | | 1 |
| | | | | | |
| | | | | | |
| | | | | | |
| | | | | | |
| | | | | | |
| | | | | | |
| | | | | | |
| | | | | | |
| | | | | | |

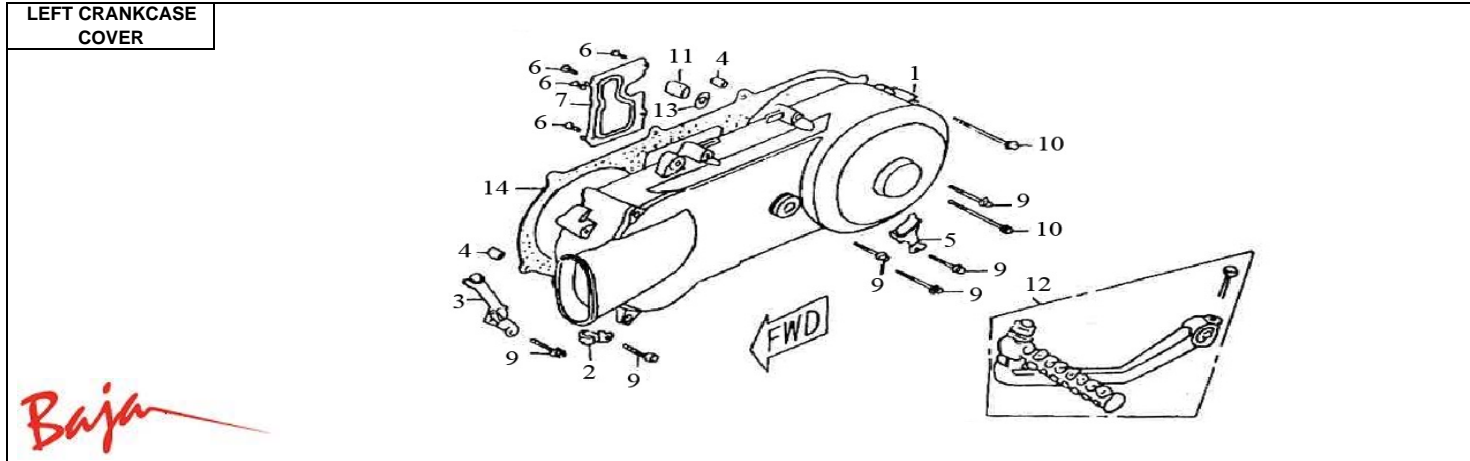
| CRANKSHAFT & PISTON | | | | | |
|---------------------|-----------|--------------|------------------|-----------------------|------|
| | | | | | |
| Item No. | Part No. | UPC Number | Description | Qty Shipped per order | Qty. |
| 1 | RT150-410 | 883099066283 | PISTON | 1 | 1 |
| 2 | RT150-411 | 883099066313 | PISTON RINGS | 1 | 1 |
| 3 | RT150-412 | 883099066320 | CLIP, PISTON PIN | 2 | 2 |
| 4 | RT150-413 | 883099066337 | PISTON PIN | 1 | 1 |
| 5 | RT150-414 | 883099066351 | CRANKSHAFT | 1 | 1 |
| 6 | RT150-415 | 883099066368 | WOODRUFF KEY | 2 | 2 |
| | | | | | |
| | | | | | |
| | | | | | |
| | | | | | |
| | | | | | |
| | | | | | |
| | | | | | |
| | | | | | |
| | | | | | |
| | | | | | |
| | | | | | |
| | | | | | |
| | | | | | |
| | | | | | |
| | | | | | |
| | | | | | |
| | | | | | |
| | | | | | |
| | | | | | |
| | | | | | |



| Item No. | Part No. | UPC Number | Description | Qty Shipped per order | Qty. |
|----------|-----------|--------------|--|-----------------------|------|
| 1 | RT150-416 | 883099066375 | CRANKCASE, LEFT | 1 | 1 |
| 2 | RT150-417 | 883099066405 | OIL SEAL 27X42X7 | 1 | 1 |
| 3 | RT150-418 | 883099066412 | BEARING 6004 | 1 | 1 |
| 4 | RT150-419 | 883099066429 | SHOCK ABSORBER TUBE | 1 | 1 |
| 5 | RT150-420 | 883099066450 | BEARING 6002 | 1 | 1 |
| 6 | RT150-421 | 883099066504 | TUBE BREATHER ASSY | 1 | 1 |
| 7 | RT150-422 | 883099066511 | BEARING RADIAL ALL 6301 | 1 | 1 |
| 8 | | | PLATE KICK RETURN STOPPER (AVAILABLE WITH ITEM 15) | | 1 |
| 9 | | | BOLT M6X14 (AVAILABLE WITH ITEM 15) | | 1 |
| 10 | RT150-423 | 883099066528 | PIN BRAKE SHOE ANCHOR ASSY | 1 | 1 |
| 11 | | | SPRING KICK STARTER (AVAILABLE WITH ITEM 15) | | 1 |
| 12 | | | PIN SPECIAL (AVAILABLE WITH ITEM 15) | | 1 |
| 13 | RT150-424 | 883099066535 | O RING 7.5×1.5 | 1 | 1 |
| 14 | | | BUSH (AVAILABLE WITH ITEM 15) | | 1 |
| 15 | RT150-425 | 883099066542 | GRASP KICK STARTER DRIVE | 1 | 1 |
| 16 | RT150-426 | 883099066559 | WASHER 12.5 | 1 | 1 |
| | | | | | |
| | | | | | |
| | | | | | |



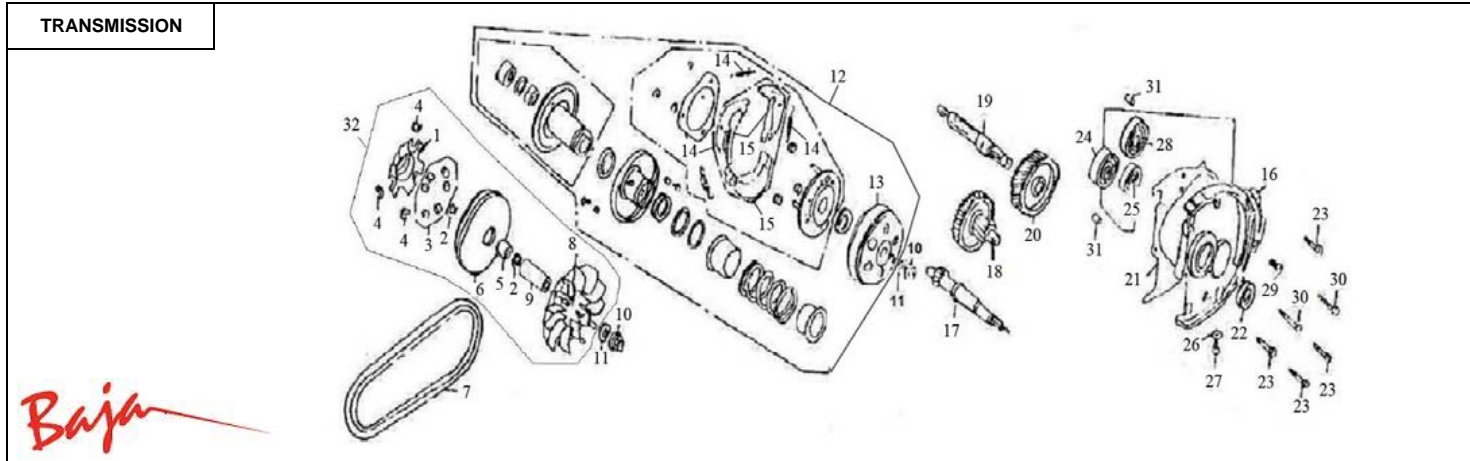
| Item No. | Part No. | UPC Number | Description | Qty Shipped per order | Qty. |
|----------|-----------|--------------|------------------------------|-----------------------|------|
| 17 | RT150-427 | 883099066566 | NUT M8 | 1 | 1 |
| 18 | RT150-428 | 883099066573 | PIN B3×8 | 1 | 1 |
| 19 | RT150-429 | 883099066580 | SHAFT STARTER IDLE | 1 | 1 |
| 20 | RT150-430 | 883099066597 | GEAR COMP STARTER IDLE ASSY | 1 | 1 |
| 21 | RT150-431 | 883099066603 | SPRING STARTER IDLE | 1 | 1 |
| 22 | RT150-432 | 883099066610 | OIL SEAL 19.8×30×5 | 1 | 1 |
| 23 | RT150-433 | 883099066863 | BUSH | 1 | 1 |
| 24 | RT150-434 | 883099067150 | GEAR KICK DRIVEN | 1 | 1 |
| 25 | RT150-435 | 883099067563 | DOUBLE END STUDS M8X196.5 | 2 | 2 |
| 26 | RT150-436 | 883099068355 | OIL PLUG | 1 | 1 |
| 27 | RT150-437 | 883099068362 | OIL PLUG M12×1.5×15 | 1 | 1 |
| 28 | RT150-438 | 883099068379 | SPRING STARTER GEAR FRICTIDN | 1 | 1 |
| | | | | | |
| | | | | | |
| | | | | | |
| | | | | | |
| | | | | | |
| | | | | | |
| | | | | | |
| | | | | | |



Baja

| Item No. | Part No. | UPC Number | Description | Qty Shipped per order | Qty. |
|----------|-----------|--------------|------------------------------|-----------------------|------|
| 1 | RT150-439 | 883099068386 | COVER, LEFT CRANKCASE | 1 | 1 |
| 2 | RT150-440 | 883099068393 | CLAMPER BREATHER DRAIN TUBE | 1 | 1 |
| 3 | RT150-441 | 883099068409 | CLAMPER THROTTLE CABLE | 1 | 1 |
| 4 | RT150-442 | 883099068416 | PIN DOWEL M8X14 | 2 | 2 |
| 5 | RT150-443 | 883099068423 | CLAMPER BRAKE CABLE | 1 | 1 |
| 6 | RT150-444 | 883099068430 | SCREW ST4.2x8-C-H | 2 | 4 |
| 7 | RT150-445 | 883099068447 | PLATE L COVER | 1 | 1 |
| 8 | RT150-446 | 883099068478 | FIXING STAND | 1 | 1 |
| 9 | RT150-447 | 883099068485 | BOLT M6x40 | 3 | 6 |
| 10 | RT150-448 | 883099068492 | BOLT M6x65 | 2 | 2 |
| 11 | RT150-449 | 883099068508 | BUSHING | 1 | 1 |
| 12 | RT150-450 | 883099068515 | KICKSTARTER | 1 | 1 |
| 13 | RT150-451 | 883099068522 | WASHER | 1 | 1 |
| 14 | RT150-452 | 883099068539 | GASKET, LEFT CRANKCASE COVER | 1 | 1 |
| | | | | | |
| | | | | | |
| | | | | | |
| | | | | | |
| | | | | | |

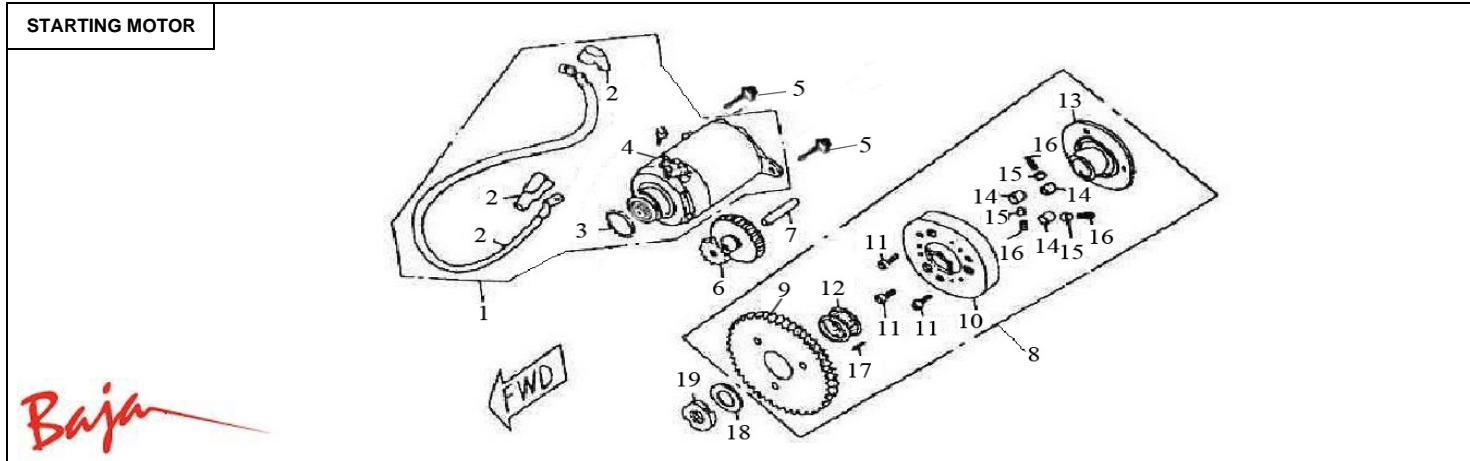
| RIGHT CRANKCASE COVER | | | | | |
|-----------------------|-----------|--------------|-------------------------------|-----------------------|------|
| | | | | | |
| Item No. | Part No. | UPC Number | Description | Qty Shipped per order | Qty. |
| 1 | RT150-459 | 883099068669 | COVER, RIGHT CRANKCASE | 1 | 1 |
| 2 | RT150-460 | 883099068676 | PIN DOWEL 8X14 | 2 | 2 |
| 3 | RT150-461 | 883099068683 | BOLT M6x95 | 2 | 4 |
| 4 | RT150-462 | 883099068690 | CLAMPER MAGNETO | 1 | 1 |
| 5 | RT150-463 | 883099068799 | GASKET, RIGHT CRANKCASE COVER | 1 | 1 |
| 6 | RT150-464 | 883099069130 | BOLT M6x110 | 2 | 2 |
| 7 | RT150-465 | 883099069512 | BOLT M6x100 | 1 | 1 |
| 8 | RT150-466 | 883099069529 | DIPSTICK | 1 | 1 |
| 9 | RT150-467 | 883099069536 | O RING30.8x3.1 | 1 | 1 |
| 10 | RT150-468 | 883099069543 | BOLT M6x32 | 2 | 2 |
| 11 | RT150-469 | 883099069550 | SPRING OIL FILTER MESH | 1 | 1 |
| 12 | RT150-470 | 883099069567 | O RING18x3 | 1 | 1 |
| 13 | RT150-471 | 883099070013 | CAP OIL FILTER | 1 | 1 |
| 14 | RT150-472 | 883099072048 | SCREEN, OIL | 1 | 1 |
| 15 | RT150-473 | 883099072550 | OIL SEAL19.8x30x5 | 1 | 1 |
| | | | | | |
| | | | | | |
| | | | | | |
| | | | | | |



| Item No. | Part No. | UPC Number | Description | Qty Shipped per order | Qty. |
|----------|-----------|--------------|-------------------------|-----------------------|------|
| 1 | | | PLART RAMP | | 1 |
| 2 | | | CLIP | | 2 |
| 3 | | | ROLLER SET WEIGHT | | 6 |
| 4 | | | PIECE SLIDE | | 3 |
| 5 | | | COLLAR DRIVE FACE | | 1 |
| 6 | | | FACE COMP MOVABLE DRIVE | | 1 |
| 7 | RT150-478 | 883099074264 | BELT DRIVE | 1 | 1 |
| 8 | | | FACE DRIVE | | 1 |
| 9 | | | BOSS DRIVE FACE | | 1 |
| 10 | RT150-479 | 883099075193 | NUT M12×1.25 | 2 | 2 |
| 11 | RT150-480 | 883099075254 | WASHER φ12.2X19X2.5 | 2 | 2 |
| 12 | RT150-481 | 883099075261 | PULLEY ASSY DRIVEN | 1 | 1 |
| 13 | | | OUTER CLUTCH | | 1 |
| 14 | | | Spring clutch | | 3 |
| 15 | | | Weight set clutch | | 3 |
| 16 | RT150-482 | 883099075391 | GEAR BOX CASE | 1 | 1 |
| | | | | | |
| | | | | | |
| | | | | | |

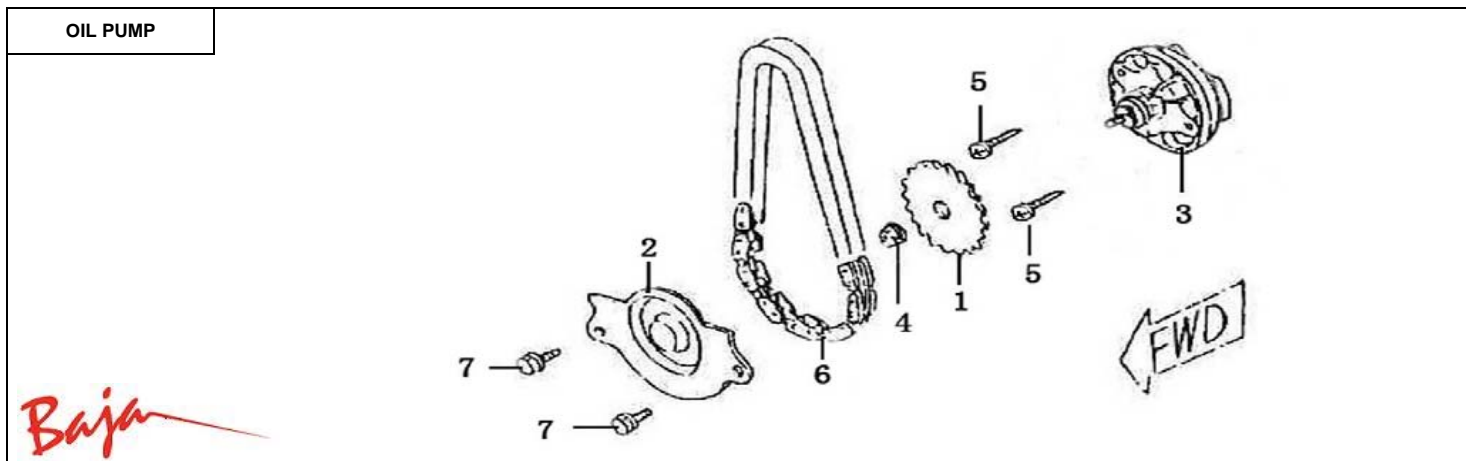
| TRANSMISSION | | | | | |
|--------------|-----------|--------------|--------------------------|-----------------------|------|
| | | | | | |
| Item No. | Part No. | UPC Number | Description | Qty Shipped per order | Qty. |
| 17 | RT150-483 | 883099075650 | INPUT SHAFT | 1 | 1 |
| 18 | RT150-484 | 883099075742 | MID GEAR | 1 | 1 |
| 19 | RT150-485 | 883099075834 | OUTPUT SHAFT | 1 | 1 |
| 20 | RT150-486 | 883099076091 | FINAL GEAR | 1 | 1 |
| 21 | RT150-487 | 883099076206 | PAPER CUSHION GEAR | 1 | 1 |
| 22 | RT150-488 | 883099076244 | OIL SEAL20×32×6 | 1 | 1 |
| 23 | RT150-489 | 883099076268 | BOLT M6×28 | 2 | 4 |
| 24 | RT150-490 | 883099076312 | BEARING RADIAL BALL 6204 | 1 | 1 |
| 25 | RT150-491 | 883099076336 | BEARING RADIAL BALL 6202 | 1 | 1 |
| 26 | RT150-492 | 883099076350 | WASHER 8 | 1 | 1 |
| 27 | RT150-493 | 883099076473 | BOLT M8×12 | 1 | 1 |
| 28 | RT150-494 | 883099076480 | BEARING RADIAL BALL6203 | 1 | 1 |
| 29 | RT150-495 | 883099076527 | BOLT SPECIAL M8×12 | 1 | 1 |
| 30 | RT150-496 | 883099076534 | BOLT M6×35 | 1 | 1 |
| 31 | RT150-497 | 883099076558 | PIN DOWEL8×14 | 2 | 2 |
| 32 | RT150-498 | 883099076770 | DRIVER WHEEL GROUPWARE | 1 | 1 |
| | | | | | |
| | | | | | |
| | | | | | |

| GENERATOR | | | | | |
|-----------|-----------|--------------|----------------|-----------------------|------|
| | | | | | |
| Item No. | Part No. | UPC Number | Description | Qty Shipped per order | Qty. |
| 1 | RT150-499 | 883099076794 | FAN | 1 | 1 |
| 2 | RT150-500 | 883099076886 | BOLT M6×18 | 2 | 4 |
| 3 | RT150-501 | 883099076923 | NUT M12X1.25 | 1 | 1 |
| 4 | RT150-502 | 883099077845 | WASHER Φ12X2.5 | 1 | 1 |
| 5 | RT150-503 | 883099077975 | BOLT M5×12 | 2 | 2 |
| 6 | | | MAGNETO | | 1 |
| 7 | RT150-504 | 883099078194 | BOLT M6×22 | 2 | 2 |
| 8 | RT150-505 | 883099078330 | STATOR | 1 | 1 |
| 9 | RT150-506 | 883099078682 | FLYWHEEL | 1 | 1 |
| | | | | | |
| | | | | | |
| | | | | | |
| | | | | | |
| | | | | | |
| | | | | | |
| | | | | | |
| | | | | | |
| | | | | | |

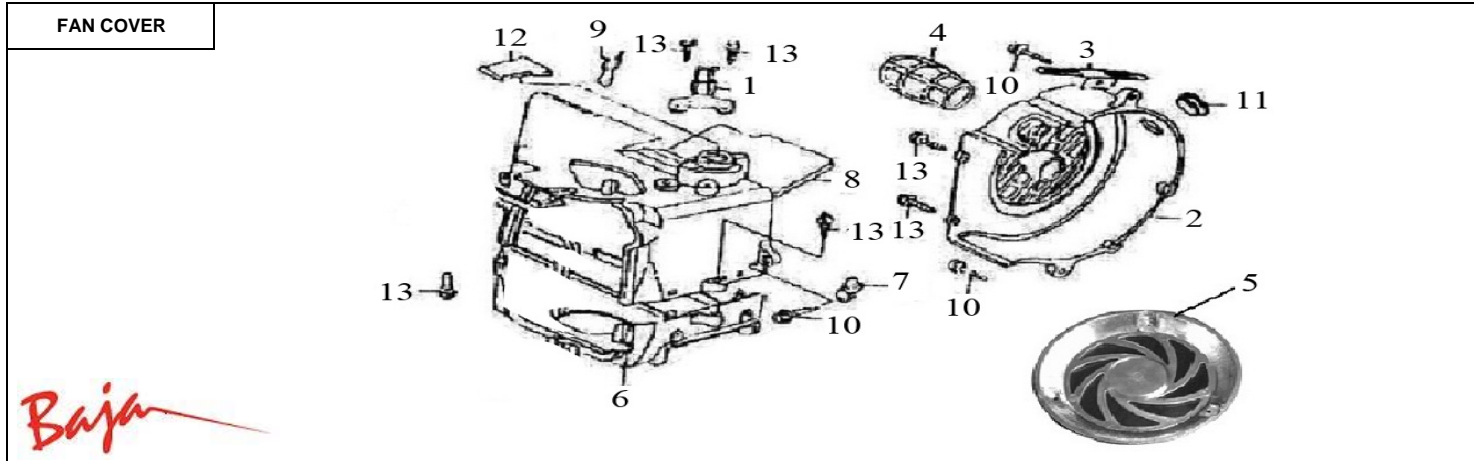


| Item No. | Part No. | UPC Number | Description | Qty Shipped per order | Qty. |
|----------|-----------|--------------|-------------------------------|-----------------------|------|
| 1 | RT150-507 | 883099078705 | STARTER MOTOR | 1 | 1 |
| 2 | | | CABLE STARTING MOTOR | | 1 |
| 3 | | | O-RING | | 1 |
| 4 | | | STARTING MOTOR | | 1 |
| 5 | RT150-508 | 883099080968 | BOLT M6×16 | 2 | 2 |
| 6 | RT150-509 | 883099081729 | GEAR STARTER REDUCTION | 1 | 1 |
| 7 | RT150-510 | 883099081842 | SHAFT STARTER REDUCTION GEAR | 1 | 1 |
| 8 | RT150-511 | 883099081934 | ONEWAY CLUTCH | 1 | 1 |
| 9 | | | GEAR CLUTCH ASSY | | 1 |
| 10 | | | OUTER COMP CLUTCH ASSY | | 1 |
| 11 | | | SCREW M6×12 | | 3 |
| 12 | | | BEARING NEEDLE | | 1 |
| 13 | | | FLANGE CLUTCH ASSY | | 1 |
| 14 | | | ROLLER | | 3 |
| 15 | | | CAP STARING CLUTCH SPRING | | 3 |
| 16 | | | SPRING STARTING CLUTCH ROLLER | | 3 |
| | | | | | |
| | | | | | |
| | | | | | |

| STARTING MOTOR | | | | | |
|----------------|-----------|--------------|-------------|-----------------------|------|
| | | | | | |
| Item No. | Part No. | UPC Number | Description | Qty Shipped per order | Qty. |
| 17 | | | PIN DOWEL | 1 | 1 |
| 18 | RT150-512 | 883099082139 | WASHER | 1 | 1 |
| 19 | RT150-513 | 883099082184 | NUT LOCK | 1 | 1 |
| | | | | | |
| | | | | | |
| | | | | | |
| | | | | | |
| | | | | | |
| | | | | | |
| | | | | | |
| | | | | | |
| | | | | | |
| | | | | | |
| | | | | | |
| | | | | | |
| | | | | | |
| | | | | | |
| | | | | | |
| | | | | | |
| | | | | | |
| | | | | | |
| | | | | | |



| Item No. | Part No. | UPC Number | Description | Qty Shipped per order | Qty. |
|----------|-----------|--------------|----------------------------|-----------------------|------|
| 1 | RT150-514 | 883099082306 | SPROCKET, OIL PUMP | 1 | 1 |
| 2 | RT150-515 | 883099082337 | BRACKET, OIL PUMP SPROCKET | 1 | 1 |
| 3 | RT150-516 | 883099082344 | OIL PUMP | 1 | 1 |
| 4 | RT150-517 | 883099087295 | NUT M6 | 1 | 1 |
| 5 | RT150-518 | 883099087301 | BOLT M6x25 | 2 | 2 |
| 6 | RT150-519 | 883099087318 | CHAIN, OIL PUMP | 1 | 1 |
| 7 | RT150-520 | 883099087325 | BOLT M6x12 | 2 | 2 |
| | | | | | |
| | | | | | |
| | | | | | |
| | | | | | |
| | | | | | |
| | | | | | |
| | | | | | |
| | | | | | |
| | | | | | |
| | | | | | |
| | | | | | |
| | | | | | |
| | | | | | |
| | | | | | |
| | | | | | |
| | | | | | |
| | | | | | |
| | | | | | |
| | | | | | |
| | | | | | |
| | | | | | |
| | | | | | |



| Item No. | Part No. | UPC Number | Description | Qty Shipped per order | Qty. |
|----------|-----------|--------------|-----------------------------|-----------------------|------|
| 1 | RT150-521 | 883099087431 | CLAMPER BREATHER TUBE | 1 | 1 |
| 2 | RT150-522 | 883099087486 | BUST SHROUD | 1 | 1 |
| 3 | RT150-523 | 883099087509 | CLAMPER STARTER CABLE | 1 | 1 |
| 4 | RT150-524 | 883099088063 | AERATE PIPE | 1 | 1 |
| 5 | RT150-525 | 883099089497 | DECORATE COVER, FAN COWLING | 1 | 1 |
| 6 | RT150-526 | 883099089503 | SHROUD COMP A | 1 | 1 |
| 7 | RT150-527 | 883099089527 | CLAMPER OVERFLOW TUBE | 1 | 1 |
| 8 | RT150-528 | 883099089558 | SHROUD COMP B | 1 | 1 |
| 9 | RT150-529 | 883099090219 | CLIP HIGH TENSION CORD | 1 | 1 |
| 10 | RT150-530 | 883099090226 | BOLT M6×25 | 3 | 3 |
| 11 | RT150-531 | 883099091506 | GROMMET SHROUD A | 1 | 1 |
| 12 | RT150-532 | 883099091537 | GROMMET SHROUD B | 1 | 1 |
| 13 | RT150-533 | 883099091544 | SCREW TAPPINGST4.8×13-C-H | 3 | 6 |
| | | | | | |
| | | | | | |
| | | | | | |
| | | | | | |
| | | | | | |

| FENDERS | | | | | |
|----------|-----------|--------------|------------------------------|-----------------------|------|
| | | | | | |
| Item No. | Part No. | UPC Number | Description | Qty Shipped per order | Qty. |
| 1 | RT150-534 | 842645031809 | FENDER, FRONT PART FRONT RED | 1 | 1 |
| 1 | RT150-535 | 842645031816 | FENDER, REAR PART FRONT RED | 1 | 1 |
| 2 | RT150-536 | 842645031847 | COVER, FRONT RED | 1 | 1 |
| 3 | RT150-537 | 842645031854 | INNER BOARD RED | 1 | 1 |
| 4 | RT150-540 | 842645031908 | L.DECORATE PLATE RED | 1 | 1 |
| 5 | RT150-538 | 842645031861 | L BODY SIDE COVER RED | 1 | 1 |
| 5 | RT150-539 | 842645031878 | R BODY SIDE COVER RED | 1 | 1 |
| 6 | RT150-541 | 842645031922 | R PROTECTOR COMP RED | 1 | 1 |
| 6 | RT150-542 | 842645032011 | L PROTECTOR COMP RED | 1 | 1 |
| 7 | RT150-543 | 842645032059 | FENDER REAR WHEEL RED | 1 | 1 |
| | | | | | |
| | | | | | |
| | | | | | |
| | | | | | |
| | | | | | |
| | | | | | |
| | | | | | |
| | | | | | |
| | | | | | |
| | | | | | |
| | | | | | |




| Item No. | Part No. | UPC Number | Description | Qty Shipped per order | Qty. |
|----------|-----------|--------------|--------------------------------|-----------------------|------|
| 1 | RT150-166 | 883099061639 | FENDER, FRONT PART FRONT BLACK | 1 | 1 |
| 1 | RT150-167 | 883099061646 | FENDER, REAR PART FRONT BLACK | 1 | 1 |
| 2 | RT150-169 | 883099061738 | COVER, FRONT BLACK | 1 | 1 |
| 3 | RT150-181 | 883099061929 | INNER BOARD BLACK | 1 | 1 |
| 4 | RT150-213 | 883099063244 | L.DECORATE PLATE BLACK | 1 | 1 |
| 5 | RT150-200 | 883099062599 | L BODY SIDE COVER BLACK | 1 | 1 |
| 5 | RT150-201 | 883099062735 | R BODY SIDE COVER BLACK | 1 | 1 |
| 6 | RT150-227 | 883099063664 | R PROTECTOR COMP BLACK | 1 | 1 |
| 6 | RT150-228 | 883099063671 | L PROTECTOR COMP BLACK | 1 | 1 |
| 7 | RT150-246 | 883099064074 | FENDER REAR WHEEL BLACK | 1 | 1 |
| | | | | | |
| | | | | | |
| | | | | | |
| | | | | | |
| | | | | | |
| | | | | | |
| | | | | | |
| | | | | | |
| | | | | | |