



Product Information

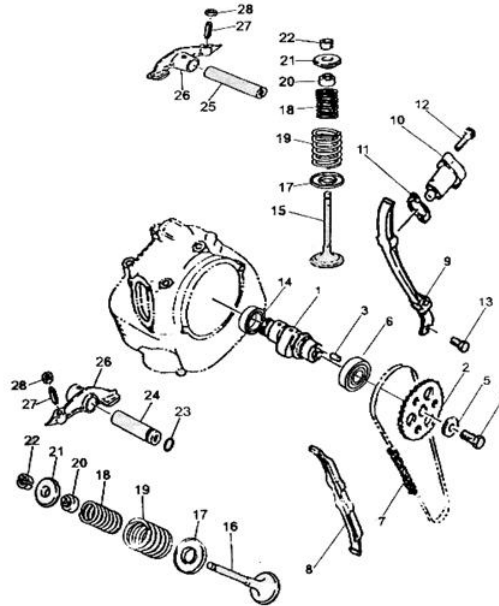
Baja Web > Product Information > Parts Lists > ATV > AT250UT-R and AT250UTC-R (LRPR)

AT250UT-R and AT250UTC-R (LRPR)

Image Web Part [33]



Image Web Part [32]

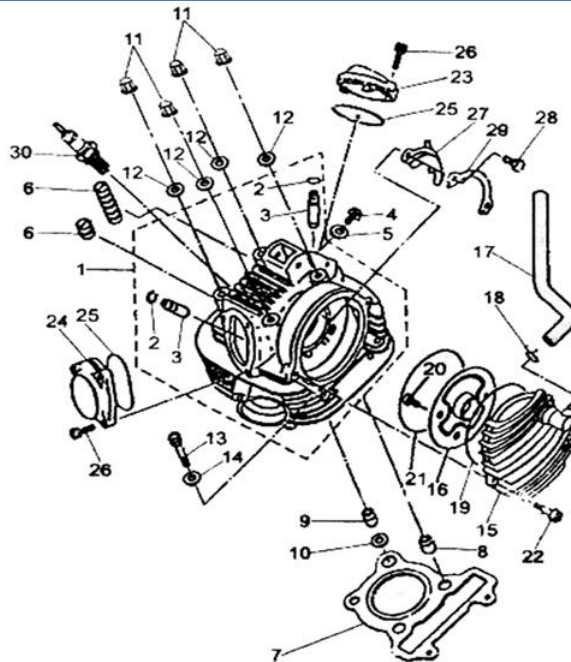


CAMSHAFT

Item No	Part Number	Description
1	AT250U-100	CAM SHAFT
2	AT250U-101	SPROCKET, TIMING
3	AT250U-102	PIN, DRIVING
4	AT250U-103	BOLT M10x1.25x25
5	AT250U-104	WASHER
6	AT250U-105	BEARING 6005-RS/C3
7	AT250U-106	CHAIN, TIMING
8	AT250U-107	LOWER GUIDE PLATE ASSY
9	AT250U-108	UPPER GUIDE PLATE ASSY

10	AT250U-109	CHAIN TENSIONER
11	AT250U-110	SHIM OF TENSIONER
12	AT250U-111	BOLT 95026-06025
13	AT250U-112	BOLT 95026-06014
14	AT250U-113	ROLLING BEARING 6202-Z
15	AT250U-114	VALVE, INTAKE
16	AT250U-115	VALVE, EXHAUST
17	AT250U-116	SEAT, VALVE SPRING
18	AT250U-117	SPRING, VALVE INNER
19	AT250U-118	SPRING, VALVE OUTER
20	AT250U-119	SEAL, VALVE OIL STEAM
21	AT250U-120	COVER, VALVE SPRING
22	AT250U-121	CLIP, VALVE LOCK
23	AT250U-122	O-RING
24	AT250U-123	SHAFT 2, ROCKER ARM
25	AT250U-124	SHAFT 1, ROCKER ARM
26	AT250U-125	ARM, ROCKER
27	AT250U-126	ADJUSTING SCREW
28	AT250U-127	LOCKNUT

Image Web Part [31]

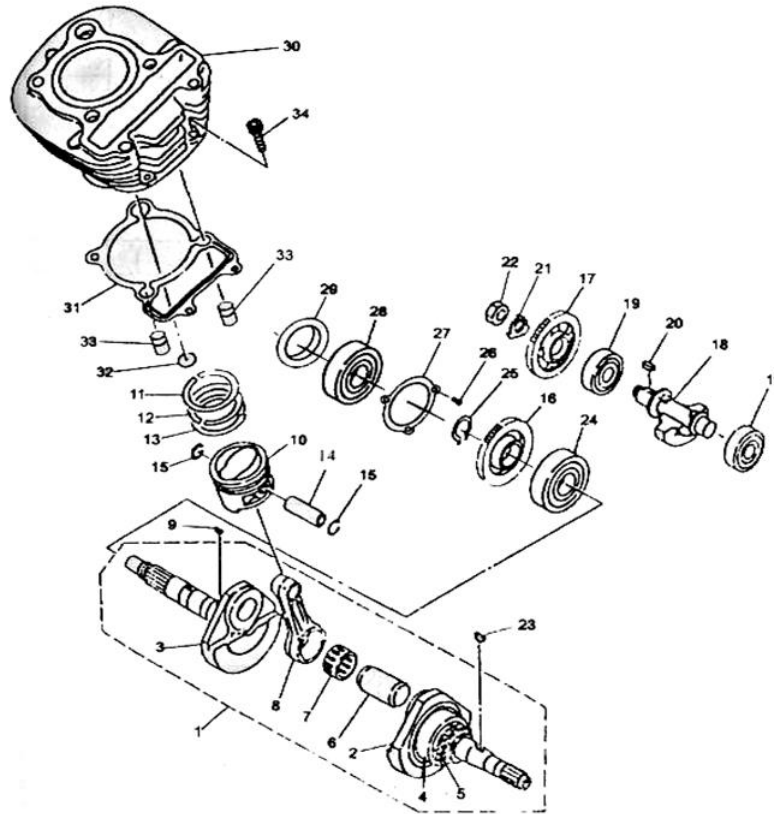


CYLINDER HEAD

Item No	Part Number	Description
1	AT250U-128	HEAD, CYLINDER
2	AT250U-129	STEEL WIRE CIRCLIP
3	AT250U-130	VALVE GUIDE
4	AT250U-131	BOLT 95026-06010
5	AT250U-132	WASHER
6	AT250U-133	DAMPER
7	AT250U-134	GASKET, CYLINDER HEAD
8	AT250U-135	ALIGNMENT PIN 99510-14016
9	AT250U-136	ALIGNMENT PIN
10	AT250U-137	OIL SEAL
11	AT250U-138	CAP NUT
12	AT250U-139	WASHER
13	AT250U-140	SCREW M8x45-10.9
14	AT250U-141	WASHER 8
15	AT250U-142	COVER, LEFT CYLINDER HEAD
16	AT250U-143	OIL BAFFLE UNIT
17	AT250U-144	AERATION PIPE
18	AT250U-145	HOOP
19	AT250U-146	O-RING
20	AT250U-147	SCREW 98512-06012
21	AT250U-148	O-RING
22	AT250U-149	SCREW 98512-06020
23	AT250U-150	COVER, UPPER VALVE
24	AT250U-151	COVER, LOWER VALVE

25	AT250U-152	O-RING
26	AT250U-153	SCREW M6×18-10.9
27	AT250U-154	PRESSURE PLATE
28	AT250U-155	BOLT M6×12
29	AT250U-156	CHECK PLATE
30	AT250U-157	SPARK PLUG

Image Web Part [30]

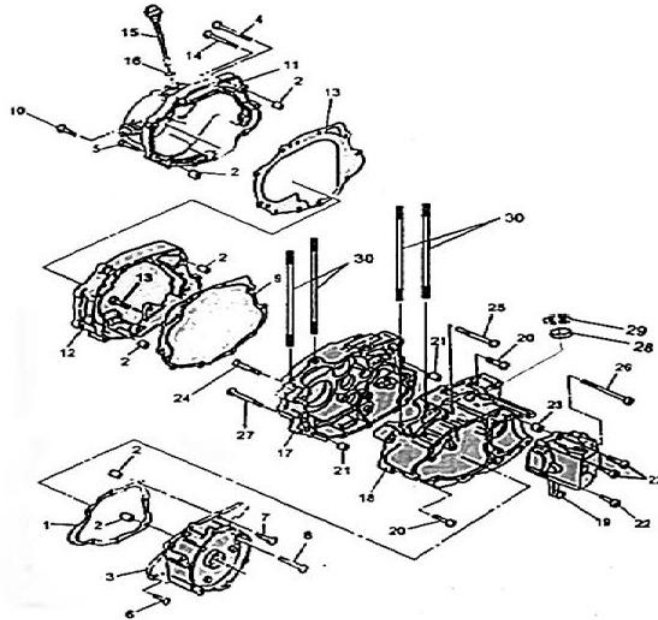


## CYLINDER

Item No	Part Number	Description
1	AT250U-158	CRANKSHAFT
2		LEFT CRANKSHAFT
3		RIGHT CRANKSHAFT ASSY.
4		BEARING 6305
5		SPROCKET, CRANKSHAFT
6		CRANKSHAFT PIN
7		NEEDLE BEARING
8		CONNECTING ROD
9		WOODRUFF KEY 3×5×13
10	AT250U-167	PISTON
11	AT250U-168	PISTON RING 1
12	AT250U-169	PISTON RING 2
13	AT250U-170	OILRING ASSY.
14	AT250U-171	PIN, PISTON
15	AT250U-172	CIRCLIP
16	AT250U-173	DRIVING GEAR, BALANCE SHAFT
17	AT250U-174	GEAR, BALANCE SHAFT
18	AT250U-175	SHAFT, BALANCE
19		BEARING 6304
20	AT250U-177	FLAT KEY
21	AT250U-178	LOCKING WASHER
22	AT250U-179	NUT
23	AT250U-180	WOODRUFF KEY
24		BEARING 6306/C4
25	AT250U-182	CIRCLIP 26
26	AT250U-183	SCREW M6×18
27	AT250U-184	PRESSURE PLATE
28		BEARING 6203
29	AT250U-186	OIL SEAL
30	AT250U-187	CYLINDER

31	AT250U-188	GASKET, CYLINDER
32	AT250U-189	O-RING
33	AT250U-190	ALIGNMENT PIN 99510-14016
34	AT250U-191	SCREW M6×25-10.9

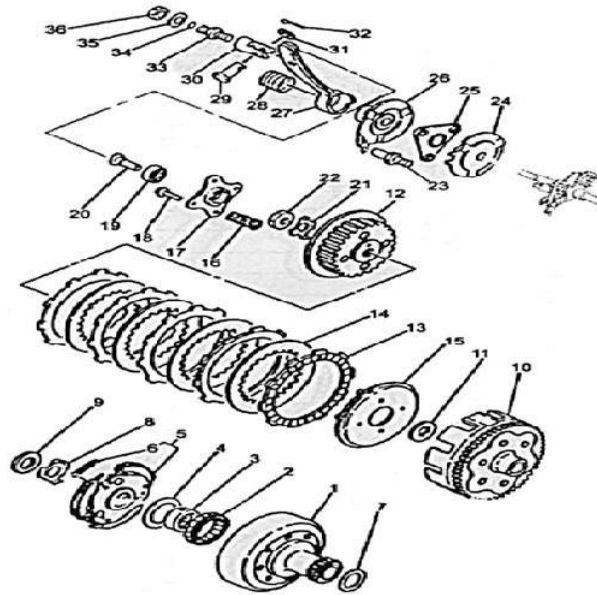
Image Web Part [29]



## CRANKCASE

Item No	Part Number	Description
1	AT250U-192	GASKET, LEFT CRANKCASE COVER
2	AT250U-193	PIN 99510-12016
3	AT250U-194	COVER, LEFT CRANKCASE
4	AT250U-195	SCREW 98512-06080
5	AT250U-196	SCREW 98512-06030
6	AT250U-197	SCREW 98512-06025
7	AT250U-198	SCREW 98512-06050
8	AT250U-199	SCREW 98512-06060
9	AT250U-200	GASKET, RIGHT CONNECTING CASE
10	AT250U-201	SCREW 98512-06040
11	AT250U-202	COVER, RIGHT CRANKCASE
12	AT250U-203	CASE, RIGHT CONNECTING
13	AT250U-204	GASKET, CRANKCASE COVER
14	AT250U-205	SCREW 98512-06070
15	AT250U-206	OIL DIPSTICK
16	AT250U-207	O-RING
17	AT250U-208	CRANKCASE, RIGHT
18	AT250U-209	CRANKCASE, LEFT
19	AT250U-210	COVER, RIGHT DRIVING
20	AT250U-211	SCREW 98512-06030
21	AT250U-212	ALIGNMENT PIN $\Phi 10 \times 14$
22	AT250U-213	SCREW M6×35-10.9
23	AT250U-214	PIN $\Phi 10 \times 14$
24	AT250U-215	SCREW 98512-06060
25	AT250U-216	SCREW 98512-06085
26	AT250U-217	SCREW M6×160-10.9
27	AT250U-218	SCREW 98512-06075
28	AT250U-219	PLUG
29	AT250U-220	CIRCLIP 28
30	AT250U-221	THREADED STUD

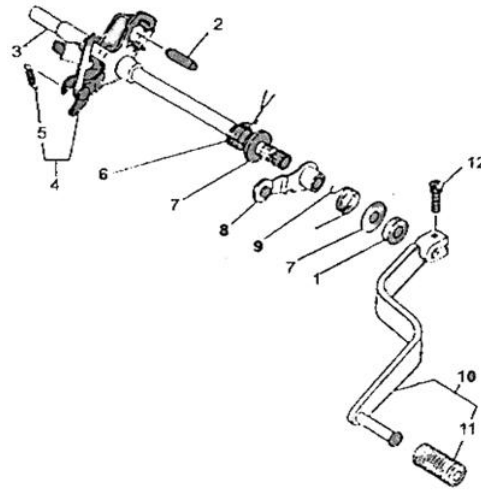
Image Web Part [28]



## CLUTCH

Item No	Part Number	Description
1		MAIN CLUTCH CASE ASSY
2		OVERRUNNING CLUTCH
3		INNER SPLINE HOUSING
4		WASHER
5		SHOE ASSY, MAIN CLUTCH
6		SPRING
7	AT250U-228	WASHER
8	AT250U-229	LOCKING WASHER
9	AT250U-230	NUT
10		CLUTCH GEAR ASSY.
11		SPLINE WASHER
12		CLUTCH HUB ASSY.
13		FRICTION PLATE
14		CLUTCH PLATE
15		PLATEN
16		CLUTCH SPRING
17		PRESSURE COVER
18		SCREW WITH WASHER
19		BEARING 6000
20	AT250U-241	CLUTCH MANDRIL
21	AT250U-242	LOCKING WASHER
22	AT250U-243	NUT
23	AT250U-244	GUIDE ROD
24	AT250U-245	LOWER CAM PLATE
25	AT250U-246	STEEL BALL BRACKET ASSY.
26	AT250U-247	UPPER CAM PLATE ASSY.
27	AT250U-248	OPERATION ROCKET ARM ASSY.
28	AT250U-249	PRESSURE SPRING
29	AT250U-250	CONNECTING PIN
30	AT250U-251	SUPPORTING SEAT
31	AT250U-252	WASHER 8
32	AT250U-253	COTTER PIN 1.4x16
33	AT250U-254	ADJUSTING SCREW
34	AT250U-255	O-RING
35	AT250U-256	WASHER 8
36	AT250U-257	LOCKING NUT
37	AT250U-258	CLUTCH, PRIMARY
38	AT250U-259	CLUTCH, SECONDARY

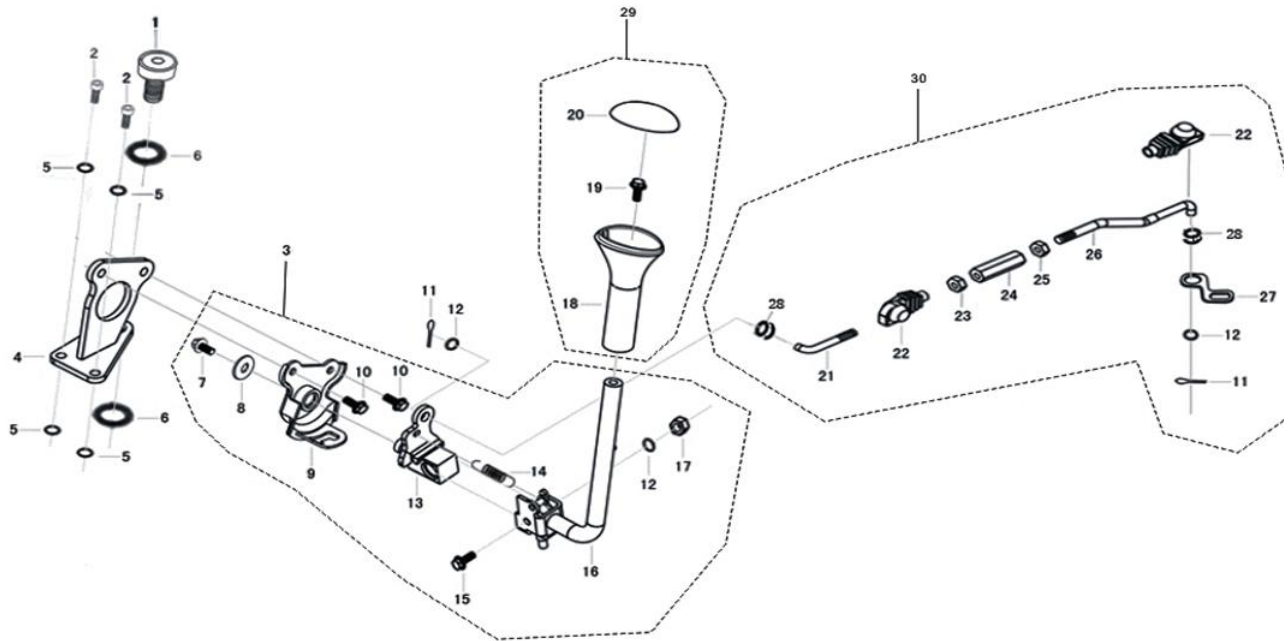
Image Web Part [27]



**GEAR SHIFTER**

Item No	Part Number	Description
1	AT250U-260	OIL SEAL
2	AT250U-261	TORSIONAL SPRING PIN
3	AT250U-262	SHAFT, GEARSIFTING
4	AT250U-263	LEVER ASSEMBLY, GEARSIFTING
5		TENSION SPRING
6	AT250U-265	SPRING, TORSION SHIFTING
7	AT250U-266	WASHER
8	AT250U-267	SPACING LEVER ASSY
9	AT250U-268	SPRING, TORSION
10	AT250U-269	PEDAL, GEARSIFTING
11		RUBBER SLEEVE, GEAR-SHIFTING PEDAL
12	AT250U-271	SCREW M6×20-8.8

**Image Web Part [26]**



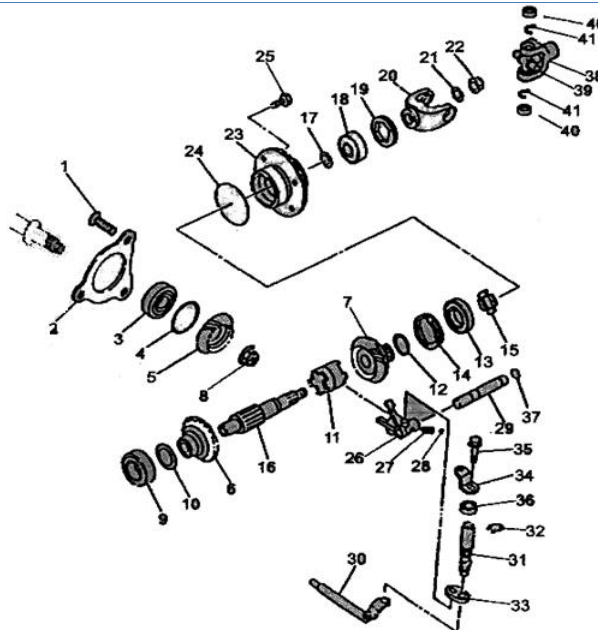
**SHIFTER**

Item No	Part Number	Description
1		SCREW M14×20
2		SCREW M6×20-10.9
3	AT250U-274	REVERSE LEVER COMPONENT
4	AT250U-275	HAND LEVER MOUNTING SEAT
5		WASHER Ø6×Ø12×1
6		WASHER Ø14×Ø25×1.5
7	AT250U-278	BOLT M6×16
8	AT250U-279	WASHER 6
9	AT250U-280	SPACING SEAT ASSY, REVERSE GEAR



10	AT250U-281	BOLT M6×16
11		COTTER PIN 1.6×20
12	AT250U-283	WASHER 6
13	AT250U-284	SPACING SPRING MOUNTING ASSY.
14	AT250U-285	SPACING SPRING
15	AT250U-286	BOLT M6×35
16	AT250U-287	HAND LEVER WELDING COMPONENT
17	AT250U-288	NUT
18	AT250U-289	HAND LEVER SLEEVE
19	AT250U-290	BOLT M6×20
20	AT250U-291	HAND LEVER CAP
21	AT250U-292	JOINT LEVER
22	AT250U-293	JOINT LEVER COVER
23	AT250U-294	H-NUT M8
24	AT250U-295	NUT
25	AT250U-296	H-NUT M8-LH
26	AT250U-297	JOINT LEVER-2
27	AT250U-298	TENSION ROD PLATE
28	AT250U-299	BUSH
29	AT250U-300	REVERSE LEVER COVER ASSY.
30	AT250U-301	CONNECTING ROD ASSY.

Image Web Part [25]

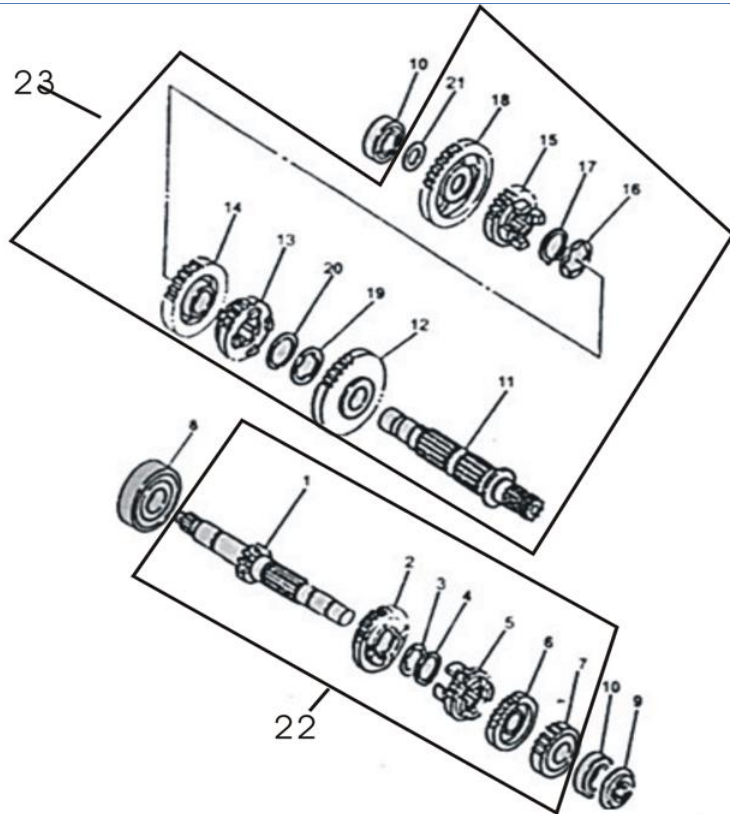


GEAR SHIFTING

Item No	Part Number	Description
1	AT250U-302	SCREW 8×25
2	AT250U-303	PRESSURE PLATE
3	AT250U-304	BEARING 6304
4	AT250U-305	WASHER
5	AT250U-309	FINAL GEAR
6	AT250U-310	FORWARD GEAR ASSY.
7	AT250U-311	REVERSE GEAR
8	AT250U-312	NUT
9		BEARING 6006
10	AT250U-314	WASHER
11	AT250U-318	CONNECTING PAW
12	AT250U-319	WASHER
13	AT250U-323	BEARING
14	AT250U-324	NUT SLEEVE
15	AT250U-325	LEFT-HARDED NUT
16	AT250U-326	OUTPUT SHAFT
17	AT250U-327	WASHER
18	AT250U-332	BEARING
19	AT250U-333	NUT SLEEVE
20	AT250U-334	FRONT CONNECTOR
21	AT250U-335	WASHER
22		NUT
23	AT250U-337	REAR COVER
24	AT250U-338	O-RING

25	AT250U-339	BOLT M8x25
26	AT250U-340	REVERSE SHIFT FORK
27	AT250U-341	PRESSURE SPRING
28	AT250U-342	STEEL BALL 6.35G100B
29	AT250U-343	REVERSE SHIFT FORK SHAFT
30	AT250U-344	REVERSE CONTROL LEVER ASSY.
31	AT250U-345	REVERSE CONTROL SHAFT
32	AT250U-346	CIRCLIP 14
33	AT250U-347	CONTROL PLATE
34	AT250U-348	TENSION ROD PLATE
35	AT250U-349	BOLT M6x16
36	AT250U-350	OIL SEAL
37	AT250U-351	O-RING
38	AT250U-352	REAR JOINT
39	AT250U-353	DRIVING FORK
40	AT250U-354	NEEDLE BEARING
41	AT250U-355	CLIP RING

Image Web Part [24]



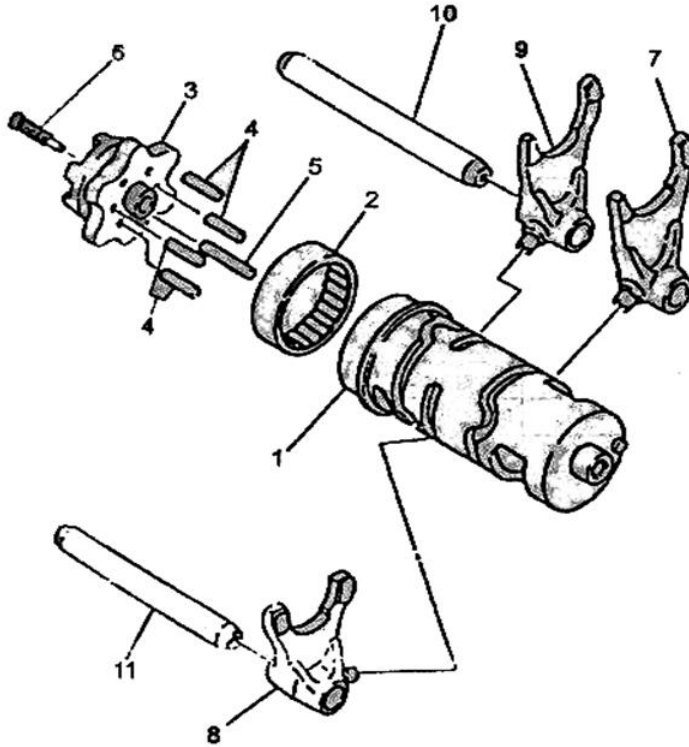
TRANSMISSION SHAFTS

Item No	Part Number	Description
1	AT250U-356	SPINDLE
2		5TH DRIVING GEAR
3		SPLINE PAD
4		CIRCLIP
5		3RD DRIVING GEAR
6		4TH DRIVING GEAR
7		2ND DRIVING GEAR
8	AT250U-363	BEARING 6204
9	AT250U-364	OIL SEAL
10	AT250U-365	BEARING 6202
11	AT250U-366	DRIVING SHAFT
12		2ND DRIVEN GEAR
13		4TH DRIVEN GEAR
14		3RD DRIVEN GEAR
15		5TH DRIVEN GEAR
16		INNER SPLINE WASHER
17		CIRCLIP
18		SHIFT 1 DRIVEN GEAR UNIT
19		INNER SPLINE WASHER
20	AT250U-375	CIRCLIP 26



- 21 WASHER
- 22 AT250U-377 DRIVING SHAFT ASSY.
- 23 AT250U-378 SPINDLE ASSY.

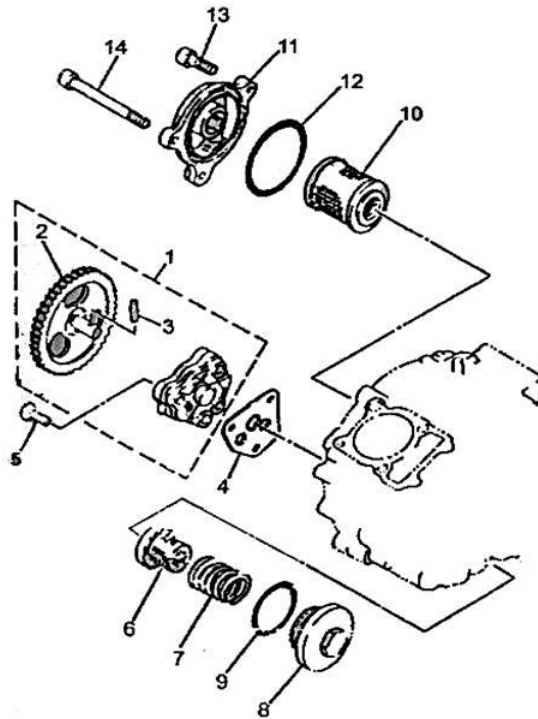
Image Web Part [23]



GEARSHIFT DRUM

Item No	Part Number	Description
1	AT250U-379	DRUM, GEARSHIFT
2	AT250U-380	NEEDLE BEARING
3	AT250U-381	STAR-GEAR
4	AT250U-382	SHIFTING PIN
5	AT250U-383	ALIGNMENT PIN, STAR-GEAR
6	AT250U-384	SCREW M6x35
7	AT250U-385	SHIFTING FORK 2
8	AT250U-386	SHIFTING FORK 3
9	AT250U-387	SHIFTING FORK 1
10	AT250U-388	LONG SHIFTING FORK AXLE
11	AT250U-389	SHORT SHIFTING FORK AXLE

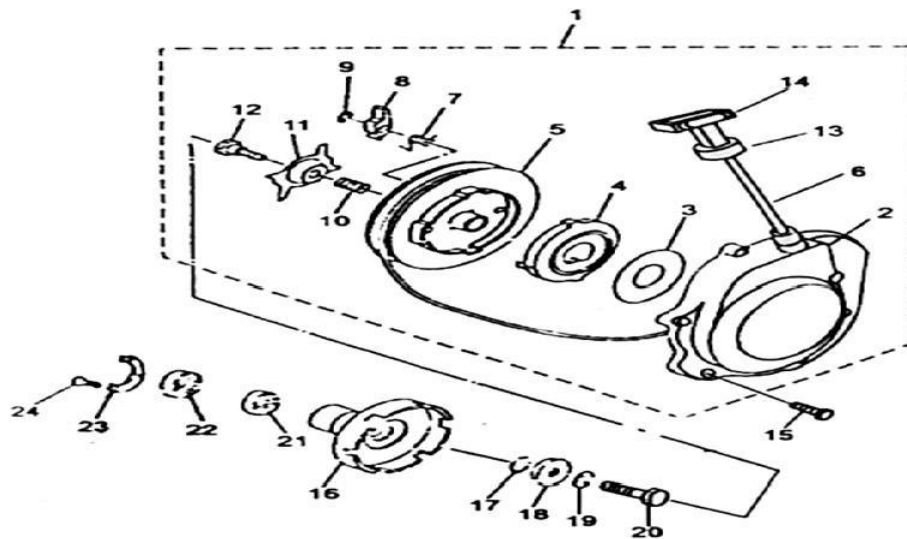
Image Web Part [22]



LUBRICATION SYSTEM

Item No	Part Number	Description
1	AT250U-390	PUMP, ENGINE OIL
2		GEAR ASSY.
3		TRANSMISSION PIN
4	AT250U-393	GASKET, OIL PUMP
5	AT250U-394	SCREW M6×30
6	AT250U-395	SCREEN, OIL
7	AT250U-396	SPRING, PRESSURE
8	AT250U-397	OIL DRAIN PLUG
9	AT250U-398	O-RING
10	AT250U-399	FLITER, OIL
11	AT250U-400	SECONDARY OIL FILTER COVER
12	AT250U-401	O-RING
13	AT250U-402	SCREW M6×20-10.9
14	AT250U-403	SCREW M6×115-10.9

Image Web Part [21]

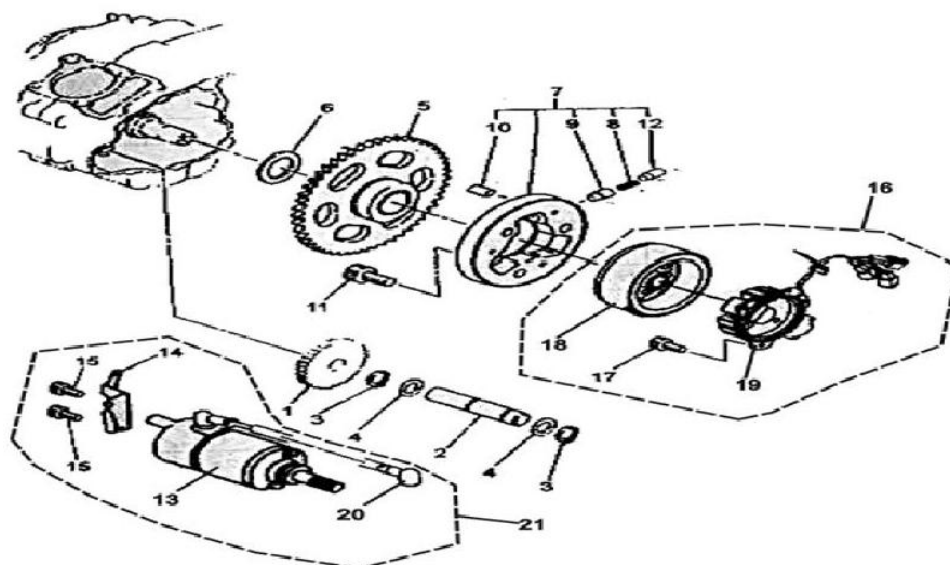


PULL STARTER

Item No	Part Number	Description
1	AT250U-404	PULL STARTER

2		LEFT SIDE COVER UNIT
3	AT250U-406	SHIM
4	AT250U-407	BOTTOM BOARD ASSY. OF WINDING SPRING
5	AT250U-408	DRIVING PLATE UNIT
6	AT250U-409	TENSION LINE
7	AT250U-410	TORSION SPRING
8		DRIVE PAW
9		CIRCLIP 6
10	AT250U-413	COMPRESSING SPRING
11	AT250U-414	GUIDE BOARD
12	AT250U-415	SCREW PIN
13	AT250U-416	STARTING LEVER
14	AT250U-417	START LEVER COVER
15	AT250U-418	SCREW 98512-06020
16	AT250U-419	START RATCHET WHEEL ASSY.
17	AT250U-420	O-RING
18	AT250U-421	WASHER
19	AT250U-422	WASHER 10
20	AT250U-423	BOLT M10×125×40
21	AT250U-424	OIL SEAL
22	AT250U-425	BEARING
23	AT250U-426	PRESSING PLATE
24	AT250U-427	SCREW M5×16

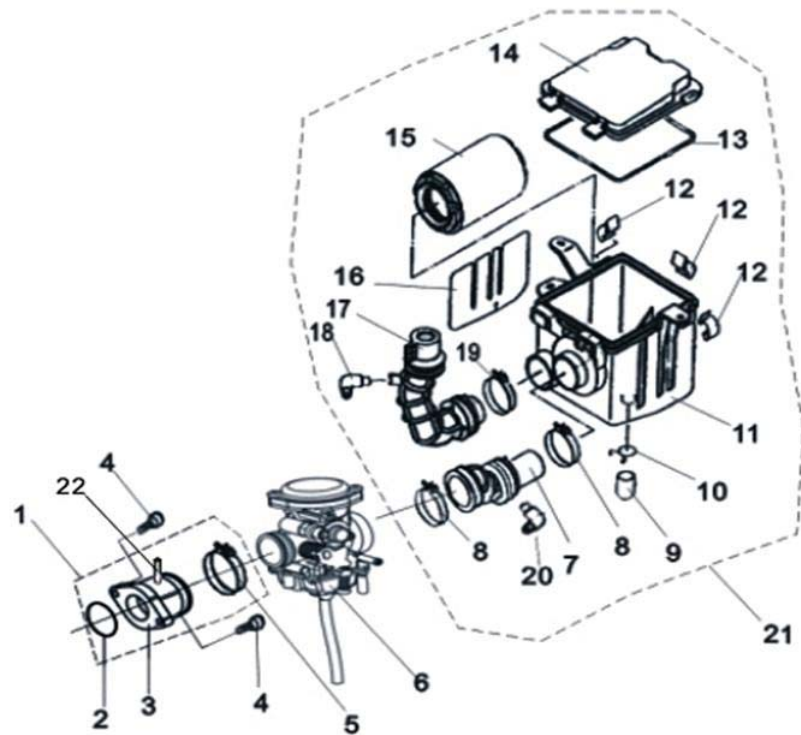
Image Web Part [20]



## STARTER MOTOR

Item No	Part Number	Description
1	AT250U-428	DUPLUX GO GEAR
2	AT250U-429	GO GEAR AXLE
3	AT250U-430	WASHER
4	AT250U-431	CIRCLIP 12
5	AT250U-432	GEAR ASSY. ELECTRICAL STARTER
6	AT250U-433	WASHER
7	AT250U-434	CLUTCH, ELECTRICAL STARTER
8		COMPRESSING SPRING
9		SPRING COVER
10		PIN ROLLER
11	AT250U-438	SCREW M8×16-10.9-ZN5.0
12		SPRING SEAT
13		STARTING MOTOR
14	AT250U-441	CONNECTING BOARD OF STARTING MOTOR
15		SCREW 97602-06115
16	AT250U-443	MAGNETO
17		SCREW 97602-06215
18		ROTOR
19		STATOR
20		LEAD COMPONENT
21	AT250U-448	STARTING MOTOR ASSY

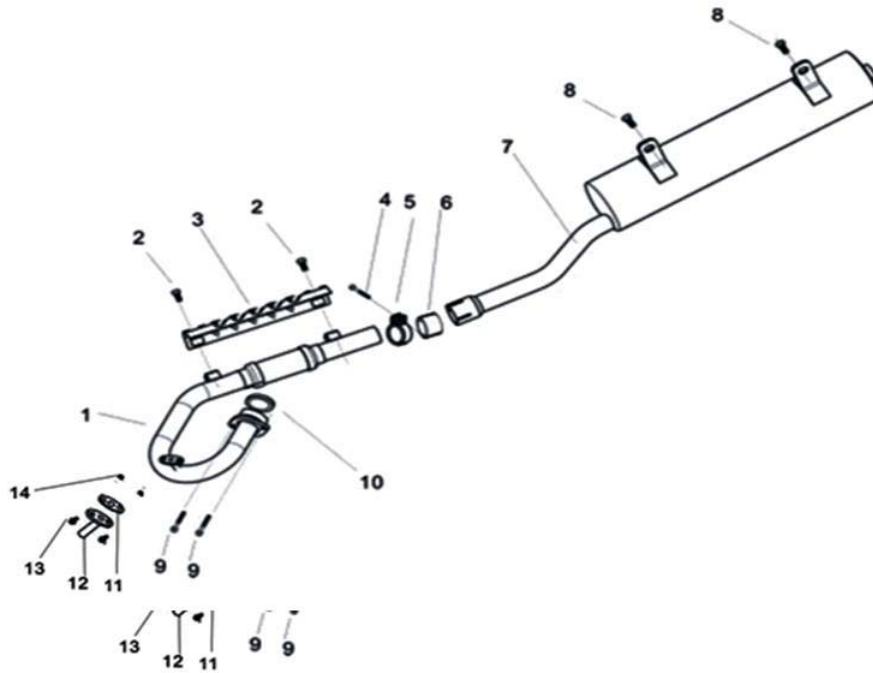
Image Web Part [19]



AIR CLEANER

Item No	Part Number	Description
1	AT250U-449	PIPE ASSEMBLY, INTAKE
2	AT250U-450	O-RING
3		PIPE, INTAKE
4	AT250U-452	SCREW M6×20
5	AT250U-453	HOOP
6	AT250U-454	CARBURETOR
7	AT250U-455	AIR FILTER CONNECTING HOSE
8	AT250U-456	HOOP
9	AT250U-457	PLUG
10	AT250U-458	PIPE CLIP
11	AT250U-459	AIR FILTER BODY CASE
12	AT250U-460	PIPE CLIP
13	AT250U-461	SEALING
14	AT250U-462	AIR FILTER BODY CASE COVER
15	AT250U-463	FILTER, AIR
16	AT250U-464	HOT-PROOF FILM
17	AT250U-465	INTAKE HOSE
18	AT250U-466	EXHAUST HOSE
19	AT250U-467	HOOP
20	AT250U-468	OUTLET
21	AT250U-469	CLEANER, AIR
22	AT250U-470	SUBPRESSURE OUTLET

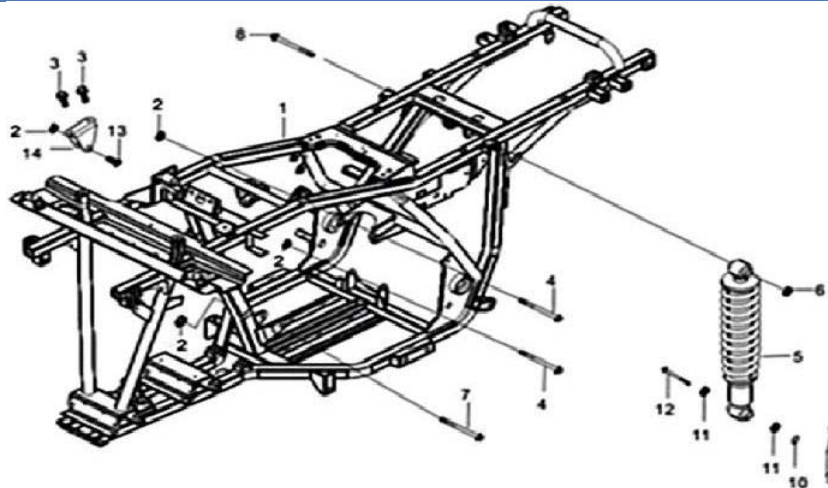
Image Web Part [18]



**EXHAUST**

Item No	Part Number	Description
1	AT250U-471	EXHAUST, FRONT
2	AT250U-472	BOLT M6×12
3	AT250U-473	COVER, HEAT PROOF
4	AT250U-474	BOLT M8×35
5	AT250U-475	HOOP
6	AT250U-476	MUFFLER SEALING WASHER
7	AT250U-477	EXHAUST, REAR
8	AT250U-478	BOLT M8×16
9	AT250U-479	BOLT M6×25
10	AT250U-480	GASKET, EXHAUST
11	AT250U-481	SECONDARY INTAKE SEALING WASHER
12	AT250U-482	SECONDARY INTAKE TUBE
13	AT250U-483	BOLT M6×16
14	AT250U-484	NUT M6

Image Web Part [17]

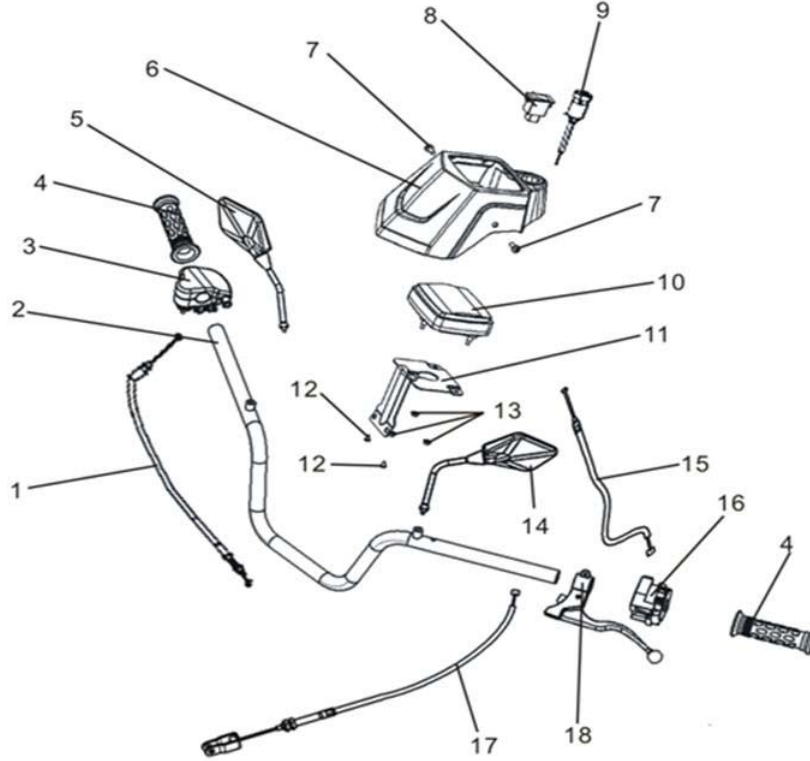


**REAR SHOCK**

Item No	Part Number	Description
1		FRAME
2	AT250U-486	NUT M8
3	AT250U-487	BOLT M8×16
4	AT250U-488	BOLT M8×105
5	AT250U-489	REAR SHOCK ABSORBER
6	AT250U-490	NUT M12×1.25

7	AT250U-491	BOLT M8×70
8	AT250U-492	BOLT M12×1.25×80
9	AT250U-493	PIN φ3×25
10	AT250U-494	WASHER φ12
11	AT250U-495	REAR SHOCK ABSORBER RUBBER GASKET
12	AT250U-496	REAR SHOCK ABSORBER PIN
13	AT250U-497	BOLT M8×55
14	AT250U-498	ENGINE UPPER CONNECTING PLATE

Image Web Part [16]

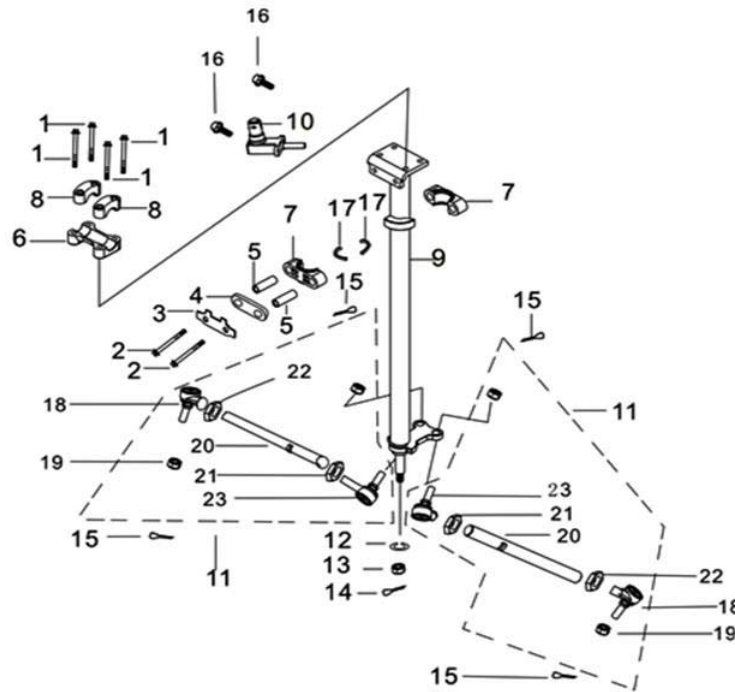


HANDLEBAR

Item No	Part Number	Description
1	AT250U-499	CABLE, THROTTLE
2	AT250U-500	HANDLEBAR
3	AT250U-502	HOUSING, THROTTLE
4	AT250U-503	GRIP, HANDLEBAR
5	AT250U-504	MIRROR, LEFT
6	AT250U-505	COVER, FRONT HANDLEBAR
7	AT250U-506	BOLT M6×16
8	AT250U-507	PLUG
9	AT250U-508	SWITCH, IGNITION
10	AT250U-509	SPEEDOMETER
11	AT250U-510	BRACKET, SPEEDOMETER
12	AT250U-511	TAPPING SCREW ST4.8×16
13	AT250U-512	NUT M5
14	AT250U-513	MIRROR, RIGHT
15	AT250U-514	CABLE, CHOKE
16	AT250U-515	LEFT LEVER ASSY.
17	AT250U-516	CABLE, REAR BRAKE
18	AT250U-517	LEVER, LEFT BRAKE

Image Web Part [15]

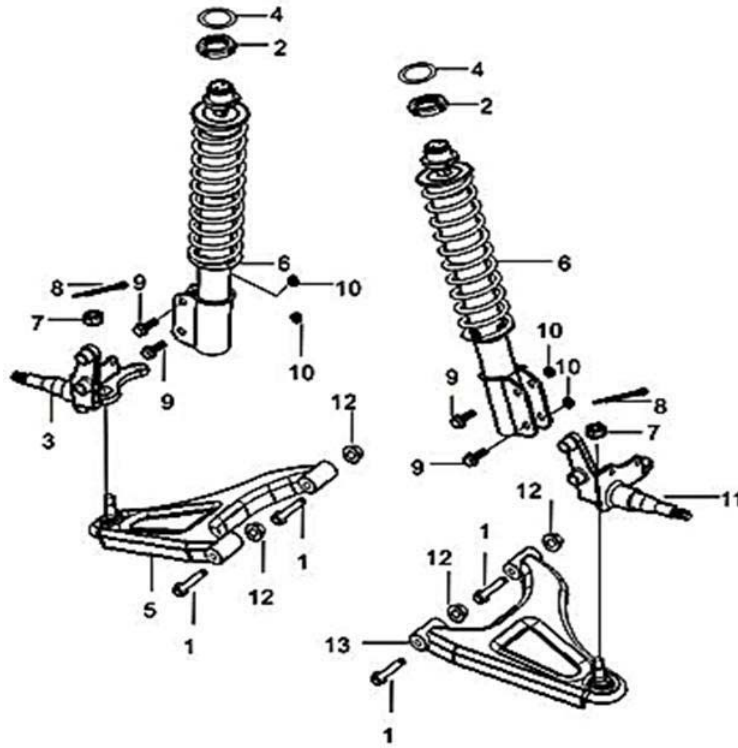




**STEERING**

Item No	Part Number	Description
1	AT250U-518	BOLT M8×55
2	AT250U-519	BOLT M8×60
3	AT250U-520	LOCK-PROOF GASKET
4	AT250U-521	STEERING COLUMN HOLDER GASKET
5	AT250U-522	BUSH
6	AT250U-523	HANDLEBAR LOWER HOLDER
7	AT250U-524	STEERING COLUMN CLAMP
8	AT250U-525	HANDLE HOLDER
9	AT250U-526	COLUMN, STEERING
10	AT250U-527	STEERING LOCK
11	AT250U-528	STEERING ROD ASSY
12	AT250U-529	WASHER φ10
13	AT250U-530	NUT M10
14	AT250U-531	PIN φ2×30
15	AT250U-532	PIN φ3.2×25
16	AT250U-533	SCREW M6×16
17	AT250U-534	STEERING COLUMN DUST-PROOF GROMMET
18		STEERING ROD BALL PIN ASSY. (OUT)
19		NUT M12×1.25
20		STEERING ROD
21		NUT M12×1.25
22		NUT M12×1.25
23		STEERING ROD BALL PIN ASSY. (IN)

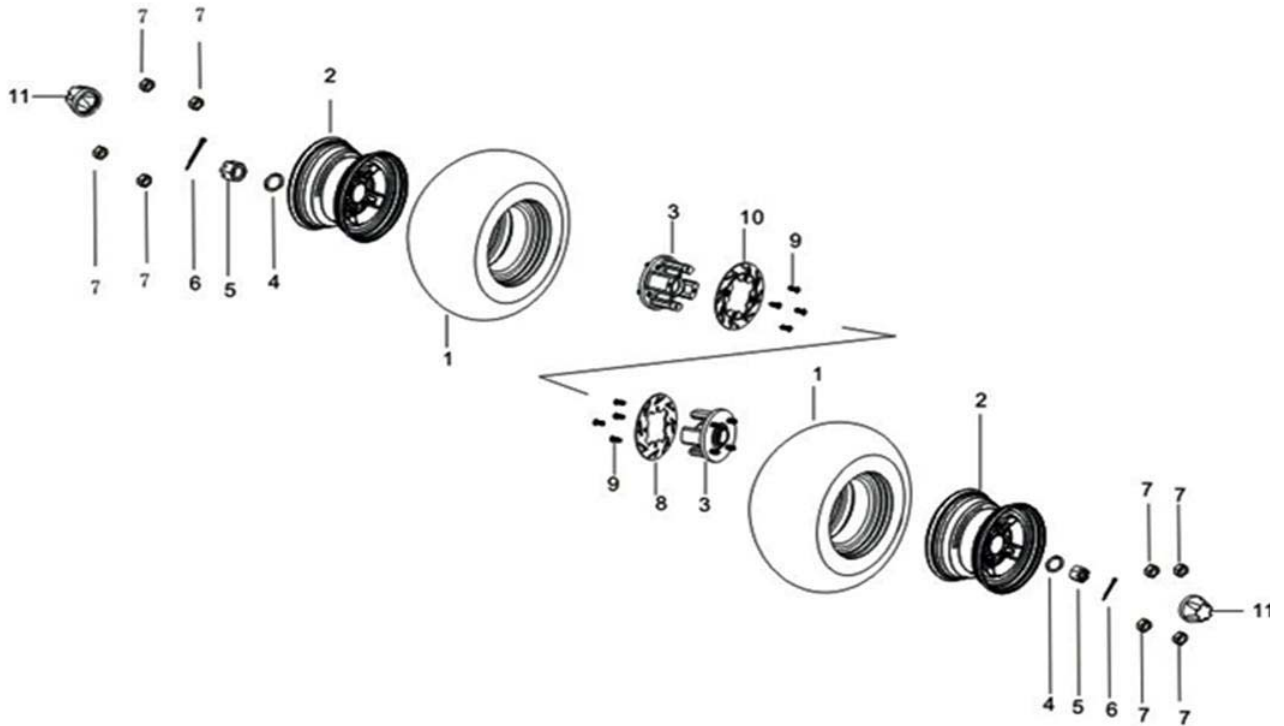
Image Web Part [14]



**FRONT SUSPENSION**

Item No	Part Number	Description
1	AT250U-541	BOLT M10×70
2	AT250U-542	NUT
3	AT250U-543	KNUCKLE, RIGHT
4	AT250U-544	CIRCLIP Φ32
5	AT250U-545	A-ARM, FRONT RIGHT
6	AT250U-546	SHOCK ABSORBER, FRONT
7	AT250U-547	NUT M12×1.25
8	AT250U-548	PIN Φ2×20
9	AT250U-549	BOLT M12×1.25×50
10	AT250U-550	NUT M12×1.25
11	AT250U-551	KNUCKLE, LEFT
12	AT250U-552	NUT M10
13	AT250U-553	A-ARM, FRONT LEFT

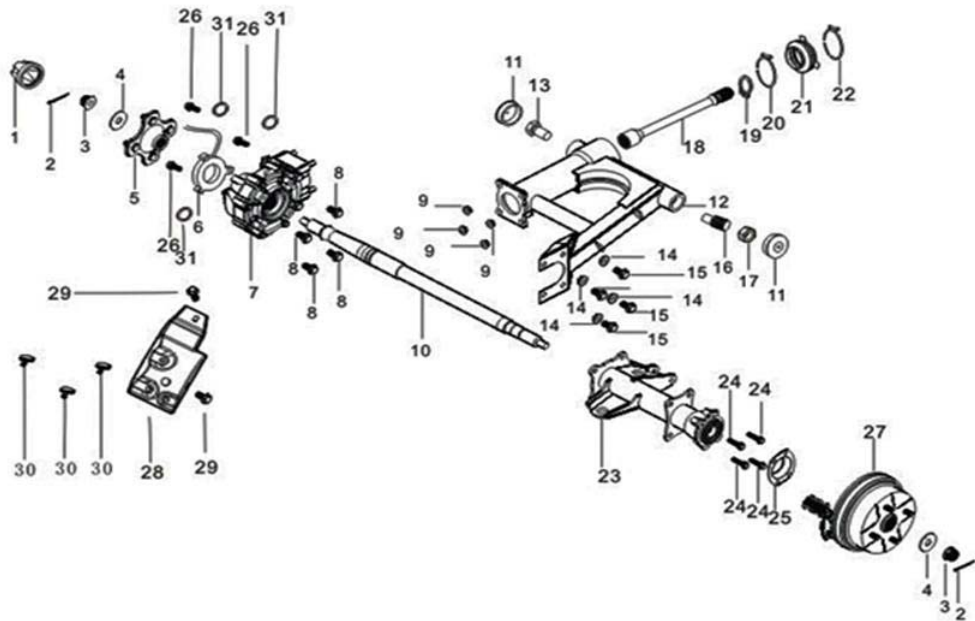
Image Web Part [13]



**FRONT RIM**

Item No	Part Number	Description
1	AT250U-554	TIRE, FRONT
2	AT250U-555	RIM, FRONT SILVER
3	AT250U-557	HUB, FRONT
4	AT250U-558	WASHER $\phi 15$
5	AT250U-559	NUT M14
6	AT250U-560	PIN $\phi 2 \times 20$
7	AT250U-561	HUB NUT
8	AT250U-562	DISC, FRONT LEFT BRAKE
9	AT250U-563	DISC FIXING BOLT
10	AT250U-564	DISC, FRONT RIGHT BRAKE
11	AT250U-565	COVER, HUB DUST

**Image Web Part [12]**

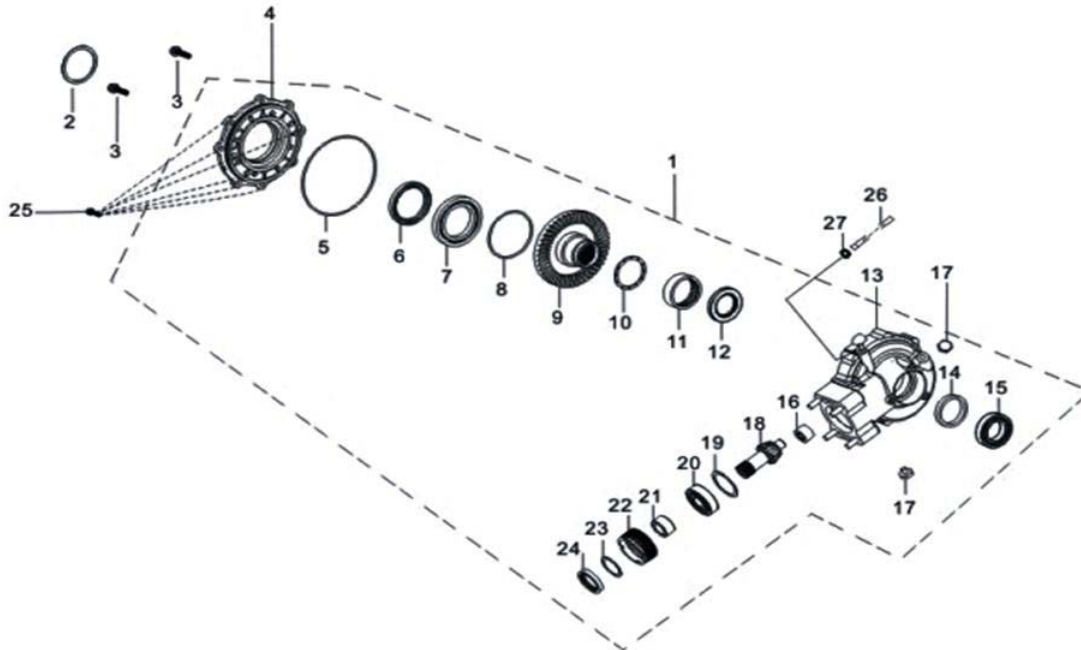


**REAR AXLE**

Item No	Part Number	Description
---------	-------------	-------------

1	AT250U-566	COVER, HUB DUST
2	AT250U-567	PIN $\phi$ 3.5x40
3	AT250U-568	REAR AXLE FIXING NUT
4	AT250U-569	WASHER $\phi$ 16
5	AT250U-570	REAR WHEEL CONNECTING PLATE
6	AT250U-571	SPEED SENSOR
7	AT250U-572	REAR TRANSMISSION BOX ASSY
8	AT250U-573	BOLT M10x1.25x25
9	AT250U-574	NUT M10x1.25
10	AT250U-575	AXLE, REAR
11	AT250U-576	DUST-PROOF COVER,FORK
12	AT250U-577	SWINGARM, REAR
13	AT250U-578	FORK LEFT CONNECTING BOLT
14	AT250U-579	NUT M12x1.25
15	AT250U-580	BOLT M12x1.25x25
16	AT250U-581	FORK RIGHT CONNECTING BOLT
17	AT250U-582	NUT M22x1.5
18	AT250U-583	SHAFT, DRIVE
19	AT250U-584	CIRCLIP $\phi$ 22
20	AT250U-585	HOOP $\phi$ 95x9
21	AT250U-586	FORK DUST-PROOF SLEEVE
22	AT250U-587	HOOP $\phi$ 110x9
23	AT250U-588	CASE, REAR AXLE BODY
24	AT250U-589	BOLT M8x35
25	AT250U-590	WASHER
26	AT250U-591	BOLT M6x25
27	AT250U-592	REAR BRAKE ASSY
28	AT250U-593	FORK PROTECTION SHELF
29	AT250U-594	BOLT M8x16
30	AT250U-595	REAR AXLE RUBBER CUSHION
31	AT250U-596	WASHER 6

Image Web Part [11]

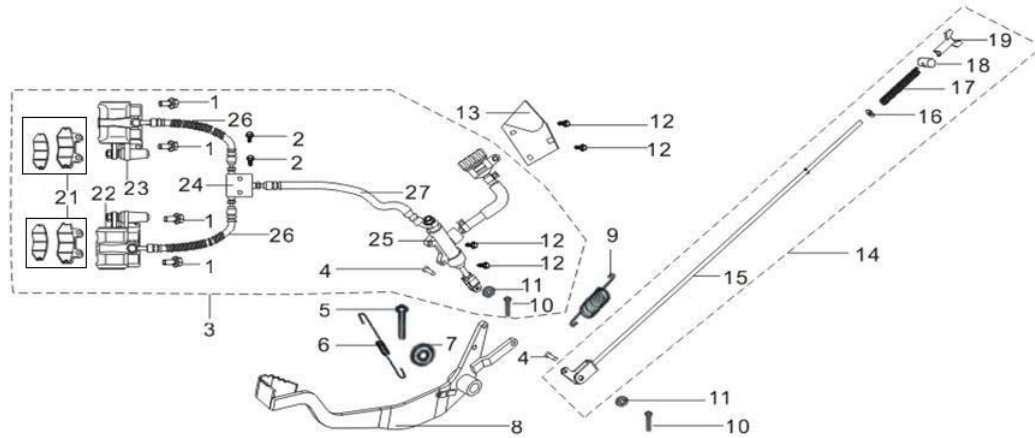


REAR TRANSFER CASE

Item No	Part Number	Description
1	AT250U-597	CASE, REAR TRANSFER
2	AT250U-598	O-RING $\phi$ 85x3.55
3	AT250U-599	BOLT M10xM1.25x40
4	AT250U-600	COVER, REAR BOX
5	AT250U-601	O-RING $\phi$ 150x3.15
6	AT250U-602	O-RING $\phi$ 85x8
7	AT250U-603	BEARING 16013
8	AT250U-604	REAR BOX ADJUSTING WASHER
9	AT250U-605	REAR BOX DRIVEN GEAR
10	AT250U-606	OILINESS WASHER
11	AT250U-607	BEARING 556720
12	AT250U-608	OIL SEAL $\phi$ 68x8

13	AT250U-609	REAR BOX BODY CASE
14	AT250U-610	OIL SEAL $\phi 63 \times 8$
15	AT250U-611	BEARING 556720
16	AT250U-612	BEARING 173017
17	AT250U-613	BOLT
18	AT250U-614	REAR BOX DRIVING GEAR
19	AT250U-615	REAR BOX ADJUSTING WASHER
20	AT250U-616	BEARING 6305
21	AT250U-617	BUSH
22	AT250U-618	REAR BOX STEEL WIRE RING
23	AT250U-619	O-RING $\phi 63.6 \times 2$
24	AT250U-620	OIL SEAL $\phi 53 \times 8$
25	AT250U-621	BOLT M8 $\times$ 30
26	AT250U-622	REAR BOX AIR -DRAIN
27	AT250U-623	REAR BOX AIR-DRAIN CLIP

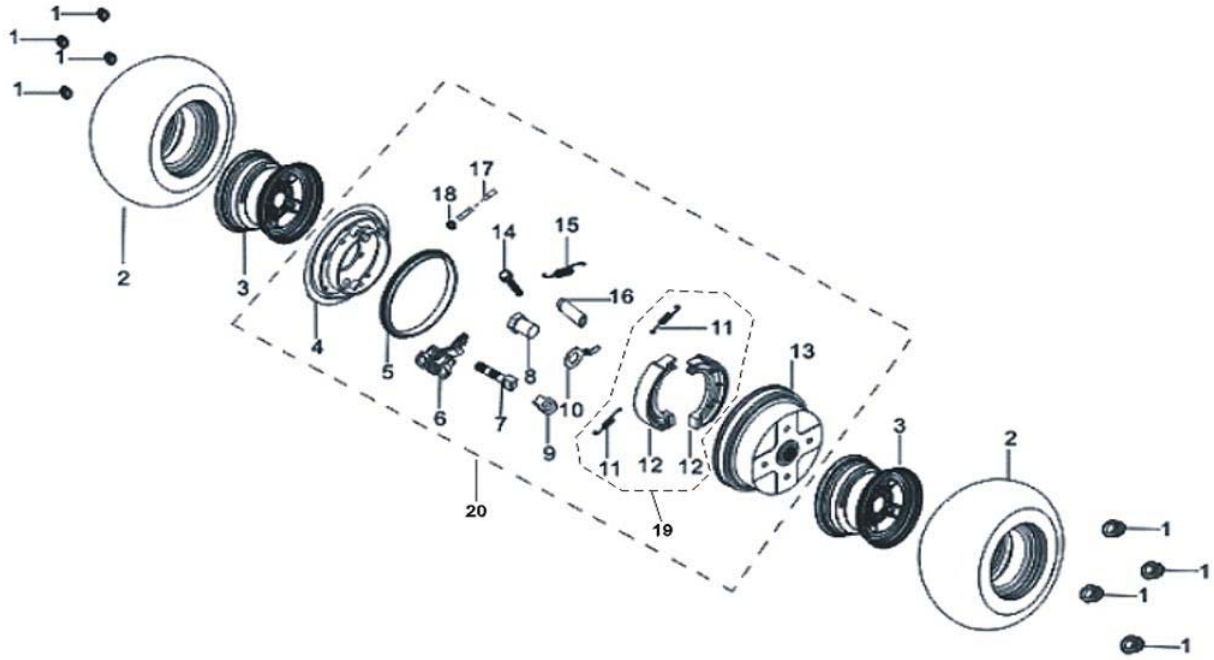
Image Web Part [10]



## FRONT BRAKES

Item No	Part Number	Description
1	AT250U-624	BOLT M8 $\times$ 12
2	AT250U-625	BOLT M6 $\times$ 20
3		DISC BRAKE ASSY.
4	AT250U-627	PIN ROLL B6 $\times$ 20
5	AT250U-628	PIN $\phi 3.2 \times 30$
6	AT250U-629	SPRING, BRAKE PEDAL
7	AT250U-630	WASHER $\phi 15$
8	AT250U-631	REAR BRAKE PEDAL
9	AT250U-632	SPRING, BRAKE PEDAL RETURN
10	AT250U-633	PIN $\phi 1.6 \times 20$
11	AT250U-634	WASHER $\phi 6$
12	AT250U-635	BOLT M6 $\times$ 20
13	AT250U-636	DISC BRAKE GREASER CUP PROTECTION
14	AT250U-637	REAR BRAKE ROD ASSY.
15	AT250U-638	REAR BRAKE ROD
16	AT250U-639	WASHER $\phi 6$
17	AT250U-640	RETURN SPRING
18	AT250U-641	SPACING PIN
19	AT250U-642	REGULATING NUT
20	AT250U-643	PADS, FRONT BRAKE
21		FRICTION PLAT2, DISC BRAKE
22	AT250U-645	CALIPER, FRONT LEFT
23	AT250U-646	CALIPER, FRONT RIGHT
24	AT250U-647	BRAKE DISTRIBUTOR
25	AT250U-648	REAR BRAKE PUMP
26	AT250U-649	BRAKE FUEL LINE 2
27	AT250U-650	BRAKE FUEL LINE

Image Web Part [9]

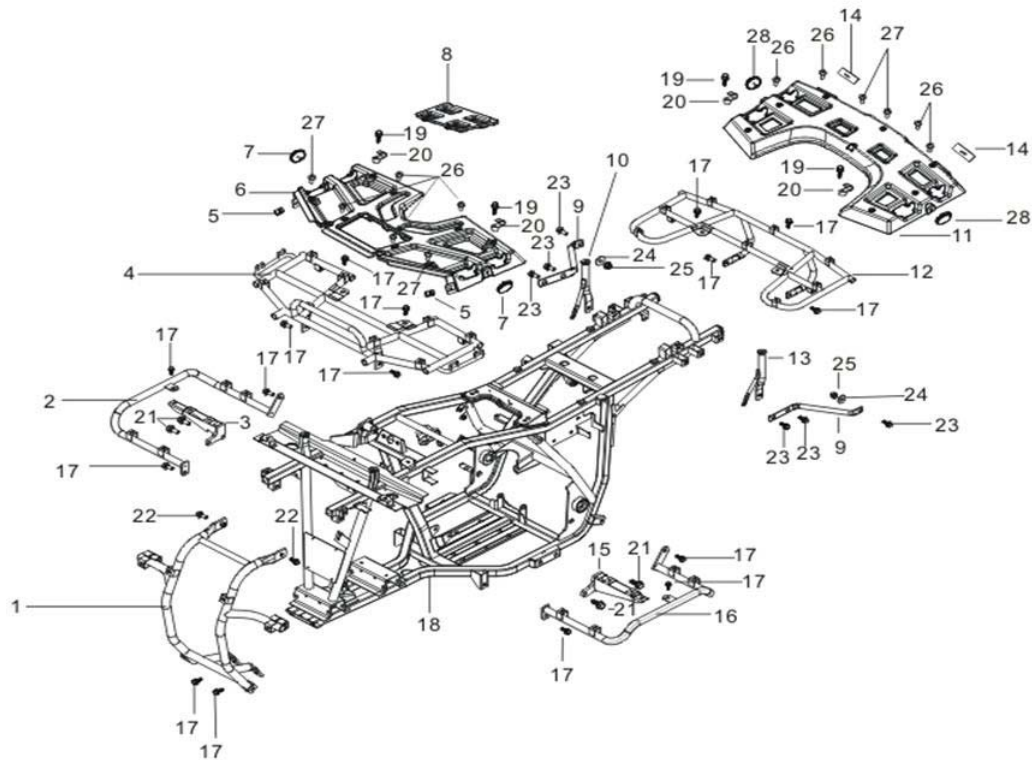


REAR RIM

Item No	Part Number	Description
1	AT250U-651	HUB NUT
2	AT250U-652	REAR TIRE
3	AT250U-653	REAR WHEEL HUB, SILVER
4	AT250U-655	BRAKE SEAT
5	AT250U-656	OIL SEAL
6	AT250U-657	REAR BRAKE ARM
7	AT250U-658	REAR BRAKE CAMSHAFT
8	AT250U-659	BOLT M6x12
9	AT250U-660	NUT M6
10	AT250U-661	BRAKE INDICATOR
11		REAR BRAKE SHOE SPRING
12		REAR BRAKE SHOE
13	AT250U-664	REAR DRUM BRAKE ASSY.
14	AT250U-665	BOLT M6x32
15	AT250U-666	REAR BRAKE ARM RETURNING SPRING
16	AT250U-667	EXHAUST OUTLET
17	AT250U-668	REAR BRAKE AIR -DRAIN
18	AT250U-669	REAR BRAKE AIR-DRAIN CLIP
19	AT250U-670	SHOES, REAR BRAKE
20	AT250U-671	BRAKE, REAR ASSEMBLY

Image Web Part [8]

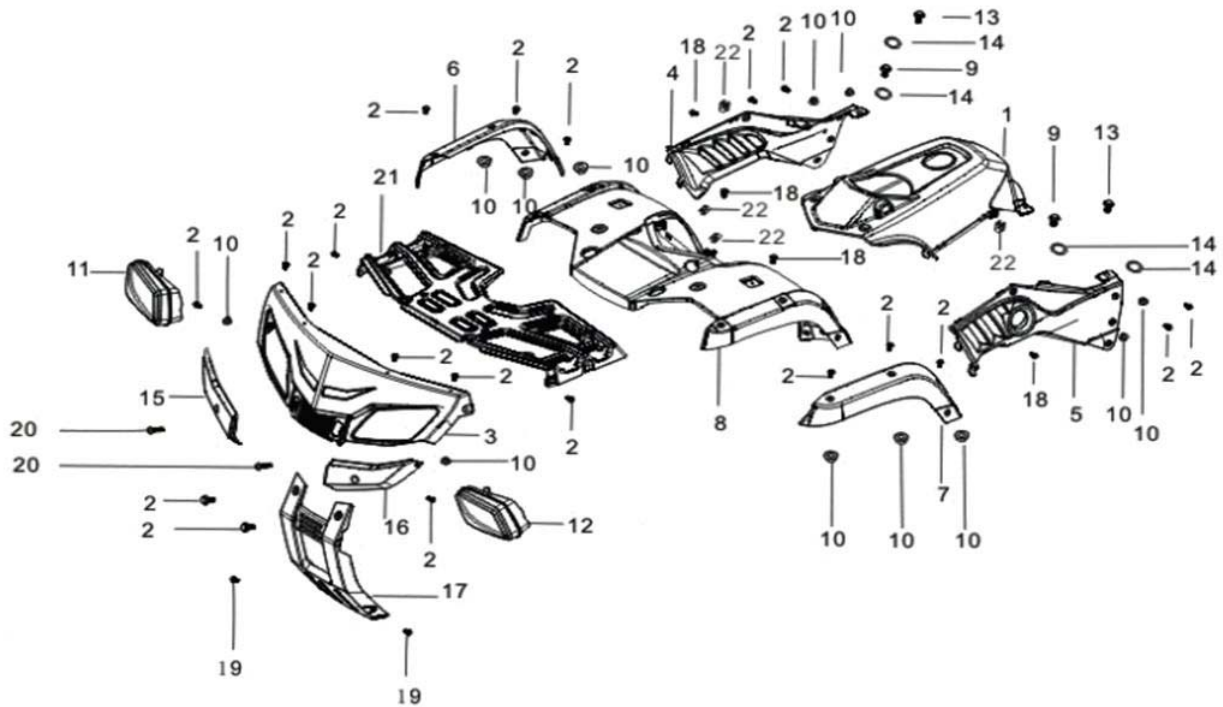




## FRAME

Item No	Part Number	Description
1	AT250U-672	BUMPER
2	AT250U-673	MAIN FOOTREST WELDING ASSY,RIGHT
3	AT250U-674	RIGHT MAIN FOOTREST PEDAL
4	AT250U-675	FRONT CARRIER
5	AT250U-676	CLIP NUT M6
6	AT250U-677	FRONT CARRIER PANEL
7	AT250U-678	SIDE REFLECTOR
8	AT250U-679	DECORATIVE COVER
9	AT250U-680	TAIL LAMP BRACKET
10	AT250U-681	RIGHT SUPPORT ASSY, REAR CARRIER
11	AT250U-682	REAR CARRIER PANEL
12	AT250U-683	REAR CARRIER
13	AT250U-684	LEFT SUPPORT ASSY, REAR CARRIER
14	AT250U-685	REAR REFLECTOR
15	AT250U-686	LEFT MAIN FOOTREST PEDAL
16	AT250U-687	MAIN FOOTREST WELDING ASSY,LEFT
17	AT250U-688	BOLT M8×16
18		FRAME WELDING ASSY
19	AT250U-690	BOLT M6×25
20	AT250U-691	PLATE BUTTON
21	AT250U-692	BOLT M10×1.25×25
22	AT250U-693	BOLT M8×35
23	AT250U-694	BOLT M8×20
24	AT250U-695	WASHER 8
25	AT250U-696	NUT M8
26	AT250U-697	BOLT M6×20
27	AT250U-698	BOLT M6×16
28	AT250U-699	REAR REFLECTOR

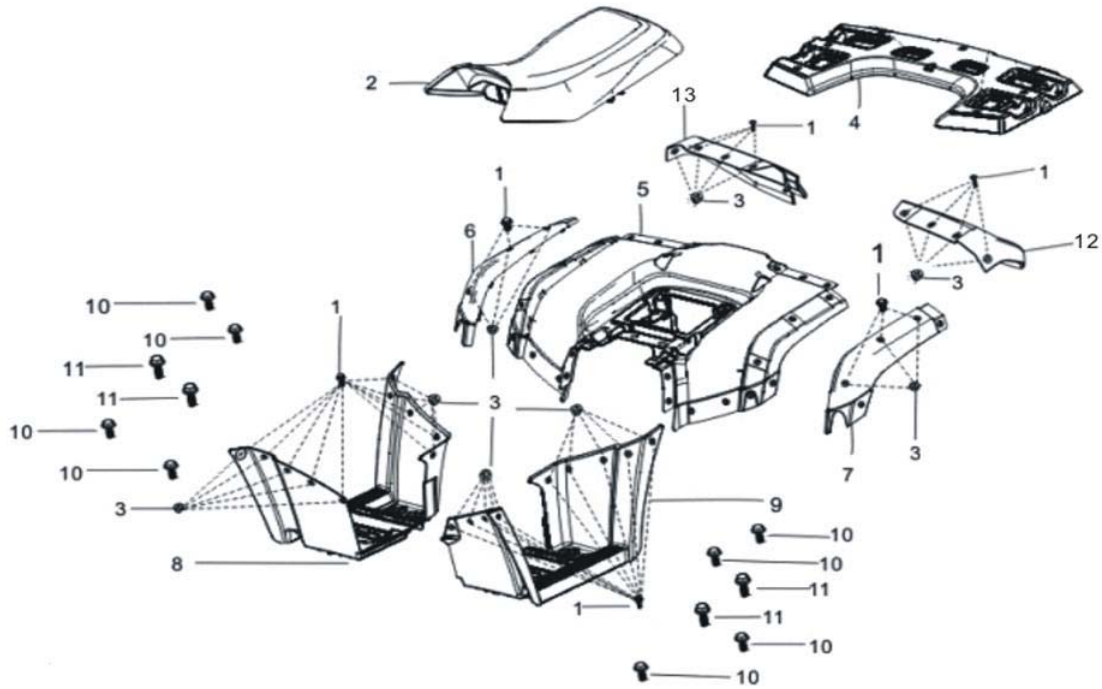
Image Web Part [7]



FRONT FENDER

Item No	Part Number	Description
1	AT250U-700	FUEL TANK COVER PLATE, RED
2	AT250U-702	SCREW M6×16
3	AT250U-703	FRONT PANEL
4	AT250U-704	RIGHT SIDE SHIELD PLATE
5	AT250U-705	LEFT SIDE SHIELD PLATE
6	AT250U-706	RIGHT SHIELD,FRONT FENDER
7	AT250U-707	LEFT SHIELD,FRONT FENDER
8	AT250U-708	FRONT FENDER, RED
9	AT250U-710	BOLT M6×35
10	AT250U-711	NUT M6
11	AT250U-712	RIGHT HEADLIGHT
12	AT250U-713	LEFT HEADLIGHT
13	AT250U-714	BOLT M6×30
14	AT250U-715	WASHER φ6
15	AT250U-716	RIGHT DECORATED PLATE,FRONT PANEL
16	AT250U-717	LEFT DECORATED PLATE,FRONT PANEL
17	AT250U-718	LOWER SHIELD PLATE, BUMPER
18	AT250U-719	SCREW M6×12
19	AT250U-720	BOLT M6×16
20	AT250U-721	SCREW M6×25
21	AT250U-722	FRONT CARRIER PANEL
22	AT250U-723	CLIP NUT M6

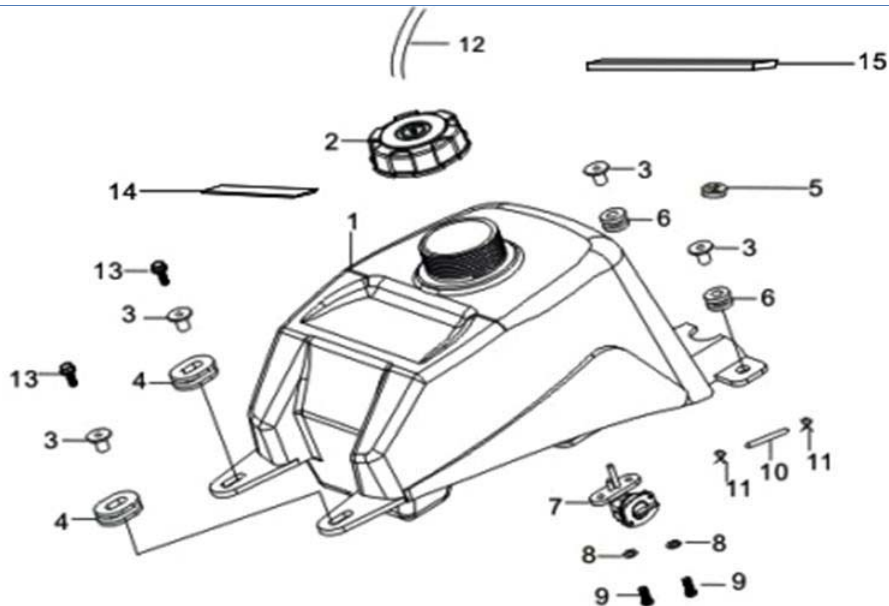
Image Web Part [6]



REAR PLASTICS

Item No	Part Number	Description
1	AT250U-724	SCREW M6×16
2	AT250U-725	SEAT ASSY.
3	AT250U-726	NUT M6
4	AT250U-727	REAR CARRIER PANEL
5	AT250U-728	REAR FENDER, RED
6	AT250U-730	RIGHT SHIELD,REAR FENDER
7	AT250U-731	LEFT SHIELD,REAR FENDER
8	AT250U-732	RIGHT FOOT PEDAL
9	AT250U-733	LEFT FOOT PEDAL
10	AT250U-734	BOLT M6×16
11	AT250U-735	BOLT M8×16
12	AT250U-736	LEFT REAR SHIELD, REAR FENDER, BLACK
13	AT250U-737	RIGHT REAR SHIELD, REAR FENDER, BLACK

Image Web Part [34]

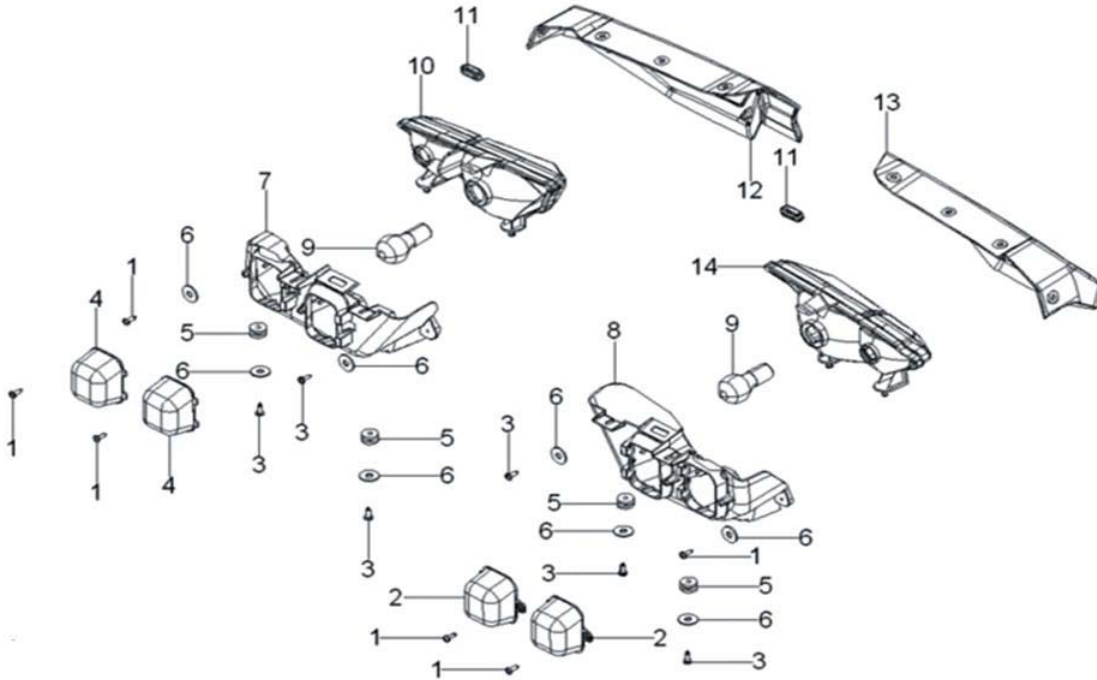


FUEL TANK

Item No	Part Number	Description
1	AT250U-738	TANK, FUEL

2	AT250U-739	COVER, FUEL TANK
3	AT250U-740	BUSH $\Phi 7 \times \Phi 10 \times \Phi 24 \times 16$
4	AT250U-741	FUEL TANK DAMPING PAD
5	AT250U-742	AIR DUCT PAD
6	AT250U-743	H-SHAPED RUBBER RING
7	AT250U-744	VALVE, FUEL
8	AT250U-745	WASHER $\Phi 6.2 \times \Phi 13 \times 1$
9	AT250U-746	SCREW M6 $\times$ 16
10	AT250U-747	FUEL LINE
11	AT250U-748	CLIP $\Phi 7.5 \times 0.8$
12	AT250U-749	FUEL STEAM RUBBER HOSE
13	AT250U-750	BOLT M6 $\times$ 25
14	AT250U-751	FUEL TANK DAMPING PAD
15	AT250U-752	FUEL TANK DAMPING PAD

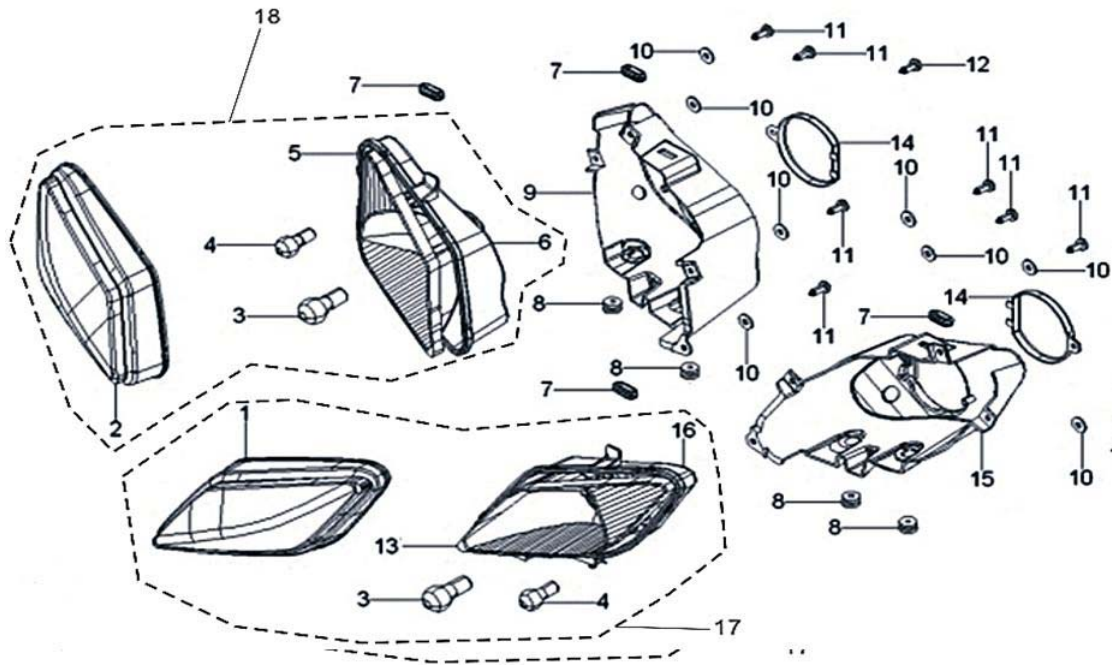
Image Web Part [5]



TAILLIGHT

Item No	Part Number	Description
1	AT250U-753	TAPPING SCREW ST4.8 $\times$ 12
2	AT250U-754	LEFT TAIL LAMP COVER
3	AT250U-755	TAPPING SCREW ST4.8 $\times$ 16
4	AT250U-756	RIGHT TAIL LAMP COVER
5	AT250U-757	H-SHAPED RUBBER RING
6	AT250U-758	WASHER 5
7	AT250U-759	RIGHT TAIL LAMP SHIELD
8	AT250U-760	LEFT TAIL LAMP SHIELD
9	AT250U-761	BULB P21/5W 21/5W/12V
10	AT250U-762	RIGHT TAILLIGHT
11	AT250U-763	HEADLIGHT RUBBER GASKET
12	AT250U-764	RIGHT SHIELD,REAR FENDER, BLACK
13	AT250U-765	LEFT SHIELD,REAR FENDER, BLACK
14	AT250U-766	LEFT TAILLIGHT

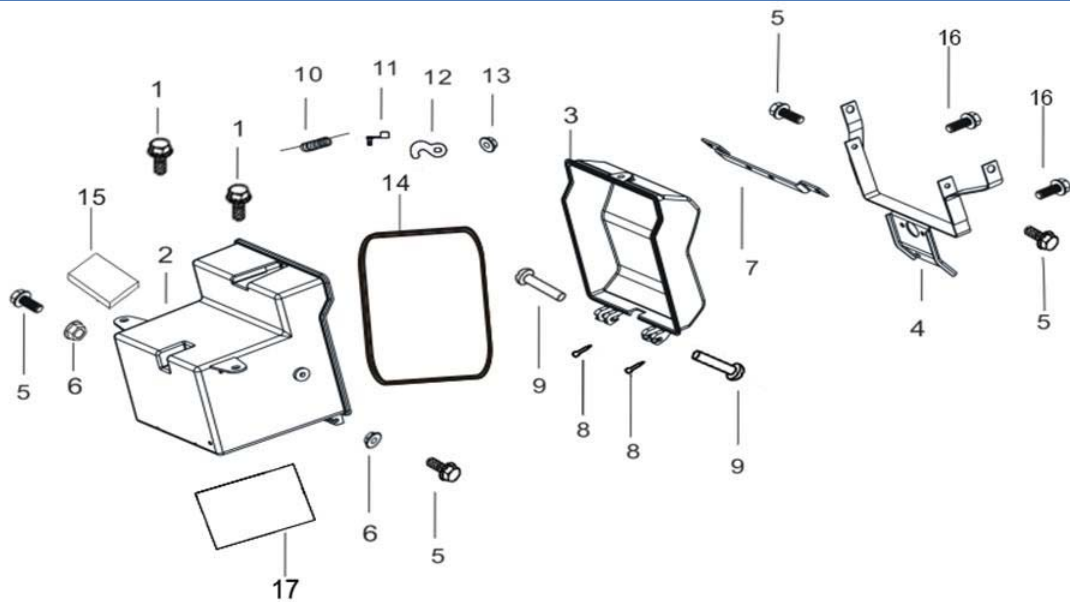
Image Web Part [4]



HEADLIGHTS

Item No	Part Number	Description
1		LEFT MATCHED MIRROR, HEADLIGHT
2		RIGHT MATCHED MIRROR, HEADLIGHT
3	AT250U-769	BULB S2-35/35W/12V
4	AT250U-770	BULB W5W-5W/12V
5		RIGHT HEAD LAMP LENS
6		RIGHT HEAD LAMP SEAT
7	AT250U-773	HEADLIGHT RUBBER GASKET
8	AT250U-774	H-SHAPED RUBBER RING
9	AT250U-775	RIGHT HEADLIGHT SHIELD
10	AT250U-776	WASHER 5
11	AT250U-777	TAPPING SCREW ST4.8x16
12	AT250U-778	TAPPING SCREW ST4.8x12
13		LEFT HEAD LAMP LENS
14	AT250U-780	HEADLIGHT SERVICE COVER
15	AT250U-781	LEFT HEADLIGHT SHIELD
16		LEFT HEADLIGHT SEAT
17	AT250U-783	LEFT HEADLIGHT
18	AT250U-784	RIGHT HEADLIGHT

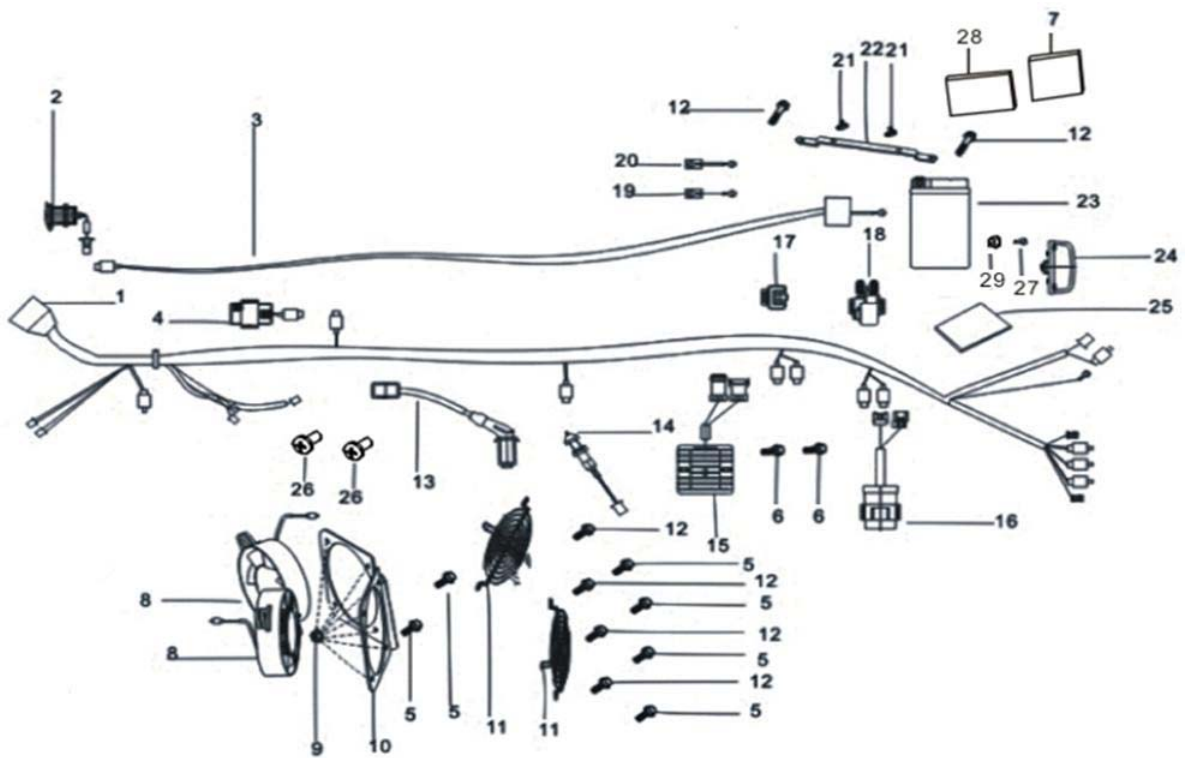
Image Web Part [3]



TOOLBOX

Item No	Part Number	Description
1	AT250U-785	BOLT M8×16
2	AT250U-786	TOOL BOX
3	AT250U-787	TOOL BOX COVER
4	AT250U-788	REAR LICENSE PLATE LAMP SUPPORT
5	AT250U-789	BOLT M6×16
6	AT250U-790	NUT M6
7	AT250U-791	REAR LICENSE PLATE BRACKET
8	AT250U-792	PIN Ø2×20
9	AT250U-793	PIN ROLL B5×40
10	AT250U-794	SPRING, THE TOOL BOX LOCK
11	AT250U-795	HANDLE SUBASSEMBLY ,TOOL BOX LOCK
12	AT250U-796	TOOL BOX LOCK HOOK
13	AT250U-797	NUT M8
14	AT250U-798	SEALING STRIP 850×4×4
15	AT250U-799	WATERPROOF MEMBRANE90×60×4, TOOL BOX
16	AT250U-800	BOLT M6×12
17	AT250U-801	HOTPROOF MEMBRANE, 170×125×2

Image Web Part [2]



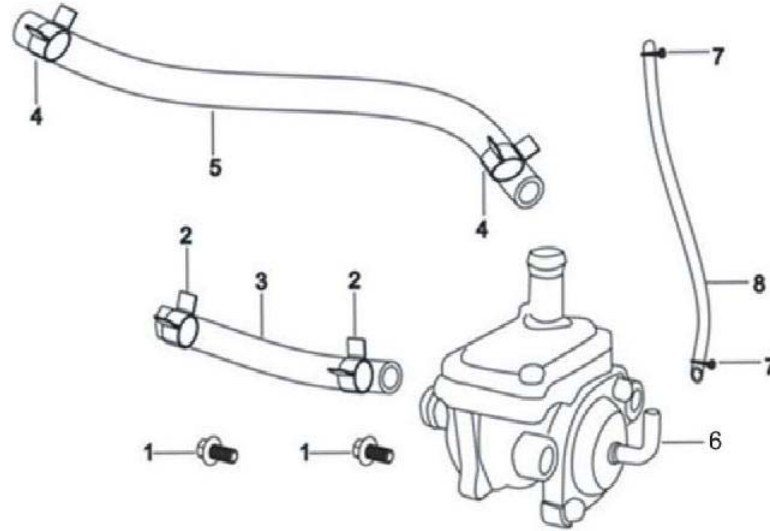
ELECTRICAL

Item No	Part Number	Description
1	AT250U-802	HARNESS, WIRING
2	AT250U-803	POWER SUPPLY SOCKET SUBASSEMBLY
3	AT250U-804	AUXILIARY CABLE
4	AT250U-805	FAN DELAY CONTROLER
5	AT250U-806	BOLT M6×16
6	AT250U-807	BOLT M6×16
7	AT250U-808	DAMPING PAD 90×75×4
8	AT250U-809	FAN ASSY.
9	AT250U-810	NUT M6
10	AT250U-811	FAN SUPPORT
11	AT250U-812	FAN HOUSING
12	AT250U-813	BOLT M6×25
13	AT250U-814	COIL, IGNITION
14	AT250U-815	SWITCH, REAR BRAKE
15	AT250U-816	RECTIFIER
16	AT250U-817	CDI
17	AT250U-818	RELAY, SHUTOFF
18	AT250U-819	RELAY, STARTING



19	AT250U-820	WIRE, POSITIVE
20	AT250U-821	WIRE, CATHODE
21	AT250U-822	DAMPING PAD
22	AT250U-823	CLAMP, BATTERY
23	AT250U-824	BATTERY
24	AT250U-825	REAR LICENSE PLATE LAMP
25	AT250U-826	DAMPING PAD 130×84×4.5
26	AT250U-827	SCREW M6×16
27	AT250U-828	SCREW M5×16
28	AT250U-829	DAMPING PAD 150×90×4
29	AT250U-830	NUT M5

Image Web Part [1]



SECONDARY INTAKE SYSTEM

Item No	Part Number	Description
1	AT250U-831	BOLT M6×16
2	AT250U-832	CLIP Φ15
3	AT250U-833	AERATION PIPE Φ15×Φ10× (130×140
4	AT250U-834	CLIP Φ17
5	AT250U-835	AERATION PIPEΦ18×Φ12×650×50
6	AT250U-836	SECONDARY INTAKE VALVE
7	AT250U-837	CLIP Φ8.5×0.8
8	AT250U-838	AERATION PIPE Φ8×Φ4×450